

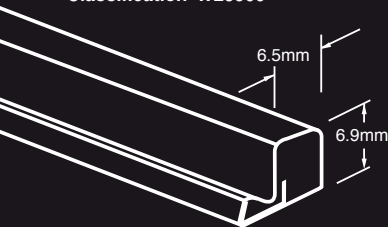
CASEMENT WINDOWS

WEATHERSEAL

A resilient non-stretch, non-shrink cellular core weatherseal with low friction outer sheath, to help prevent the binding of windows.

- Insert retention leg enables fast & effective insertion.
- Low compression force helps ease window & door operation.
- Maintains weathering characteristics & resists compression set over a wide temperature range +70°C to -30°C.
- Unaffected by paint, stains, rot, fungi, UV light & ozone.

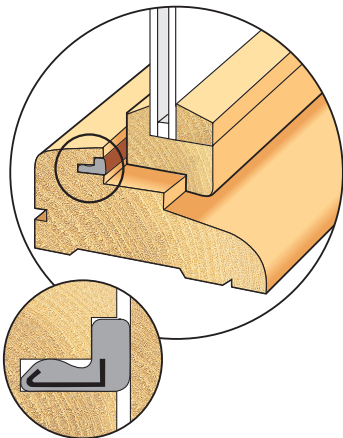
Performance BS 12365-12003
Classification W23560



trend[®]
routing technology



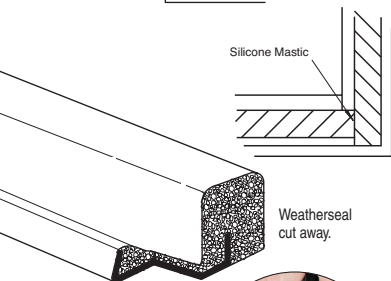
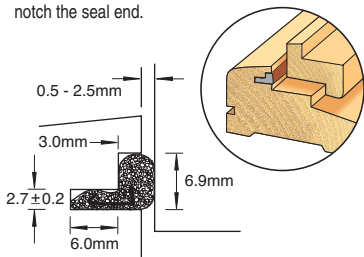
AQUA 63 & P6 STYLE



Colour	Approx. Length	Product Ref.
White	10 metres	AQ63/W/10
	25 metres	AQ63/W/25
	300 metre roll	AQ63/W/300
Brown	10 metres	AQ63/B/10
	25 metres	AQ63/B/25
	300 metre roll	AQ63/B/300

TYPICAL APPLICATION

The weatherseal is fitted into the frame rebate (head and jambs) in four cut lengths. It is important to create tight butt or notch joints to ensure high levels of window performance. Joints can be enhanced by the application of a small amount of silicone mastic. When fitted it is necessary to notch the seal end.



Product Ref.
HM/SHEAR

For perfect snipping and mitre cuts of weatherseal, mouldings and beading.



Site Practice

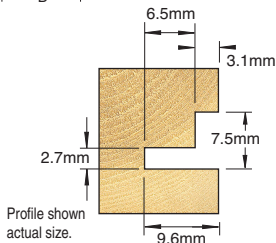
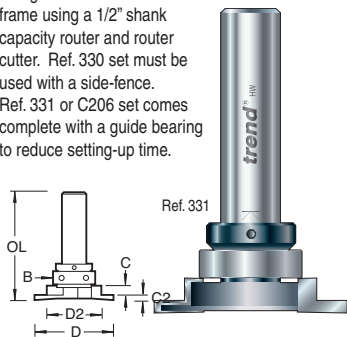
Weatherseals are unaffected by the application of paint and stain. Wet paint can be removed using a cloth moistened with a mild solvent i.e. white spirit.

Maintenance

Weatherseals can be wiped clean with a damp cloth. Normally a cleansing agent will not be required.

TOOLING REQUIRED

The groove is routed in the frame using a 1/2" shank capacity router and router cutter. Ref. 330 set must be used with a side-fence. Ref. 331 or C206 set comes complete with a guide bearing to reduce setting-up time.



D mm	D2 mm	C mm	C2 mm	B mm	OL mm	Product Ref.
36.0	25.0	4.8	2.7	-	58.0	330X1/2TC
41.3	28.3	4.8	2.7	22.0	67.0	331X1/2TC
41.3	28.3	4.8	2.7	22.0	67.0	C206X1/2TC

Spare

Spare bearing (to remove shoulder)

B28

Trend Machinery & Cutting Tools Ltd.

Tel: 0044(0)1923 249911
 technical@trendm.co.uk
 www.trend-uk.com

