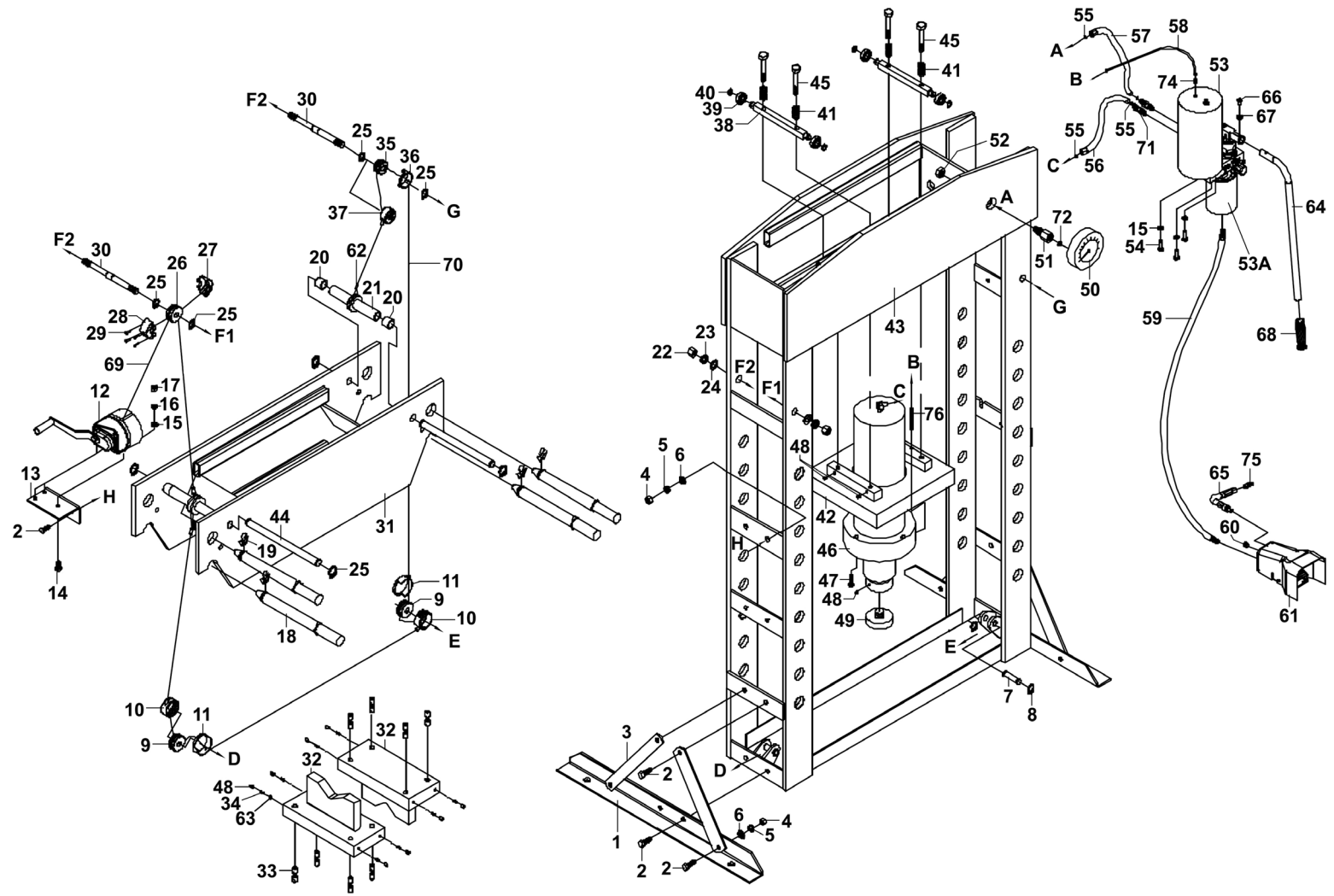




Parts Information:
Premier Air/Hydraulic Floor Type Press with Foot Pedal 75 Tonne
Model No: YK759FAH.V2



NOTE: It is our policy to continually improve products and as such we reserve the right to alter data, specifications and component parts without prior notice.

There may be alternative versions of this product, please contact us should you require this information.

IMPORTANT: No liability is accepted for incorrect use of product. Spare parts must be fitted by a competent person

WARRANTY: Guarantee is 12 months from purchase date, proof of which will be required for any claim.

Sealey Group, Kempson Way, Suffolk Business Park, Bury St Edmunds, Suffolk. IP32 7AR



01284 757500



sales@sealey.co.uk



www.sealey.co.uk



Parts Information:
**Premier Air/Hydraulic Floor Type Press
 with Foot Pedal 75 Tonne
 Model No: YK759FAH.V2**

Item	Part No.	Description	Qty
1	YK759FAH.V2-01	Base Section	2
2	SS1235.S	Hex Head Set Screw M12 x 35mm	14
3	YK759FAH.V2-03	Support	4
4	SN12.S	Steel Nut M12	14
5	SWM12.S	Spring Washer M12	14
6	FWM12.S	Flat Washer M12	14
7	YK759FAH.V2-07	Pin	2
8	600TR/27	External Circlip ID: 14.5mm	4
9	YK759FAH.V2-09	Roller	2
10	YK759FAH.V2-10	Plastic Roller Cover	2
11	YK759FAH.V2-11	Plastic Roller Cover	2
12	YK759FAH.V2-12	Hand Winch	1
13	YK759FAH.V2-13	Hand Winch Support	1
14	SS1025.S	Hex Head Set Screw M10 x 25mm	3
15	FWM10.S	Flat Washer M10	6
16	SWM10.S	Spring Washer M10	3
17	SN10.S	Steel Nut M10	3
18	YK759FAH.V2-18	Bed Frame Pin	4
19	YK759FAH.V2-19	Retaining Clip	8
20	YK759FAH.V2-20	Bush	4
21	YK759FAH.V2-21	Shaft Wheel	2
22	SN20.S	Steel Nut M20	4
23	SWM20.S	Spring Washer M20	4
24	FWM20.S	Flat Washer M20	4
25	YK759FAH.V2-25	External Circlip ID: 18.3mm	8
26	YK759FAH.V2-26	Roller	1
27	YK759FAH.V2-27	Plastic Roller Cover	1
28	YK759FAH.V2-28	Plastic Roller Cover	1
29	YK759FAH.V2-29	Screw For Plastic Roller Cover	4
30	YK759FAH.V2-30	Double Threaded Bolt	2
31	YK759FAH.V2-31	Bed Frame	1
32	YK759FAH.V2-32	V-Block	2
33	YK759FAH.V2-33	Roller, V-Block	8
34	YK759FAH.V2-34	Spring, V-Block	8
35	YK759FAH.V2-35	Roller	1
36	YK759FAH.V2-36	Plastic Roller Cover A	1
37	YK759FAH.V2-37	Plastic Roller Cover B	1
38	YK759FAH.V2-38	Connecting Rod	2
39	B/6202ZZ	Bearing 6202ZZ	4

Item	Part No.	Description	Qty
40	YK759FAH.V2-40	Ext Circlip	4
41	YK759FAH.V2-41	Spring Ø 16.9mm	4
42	YK759FAH.V2-42	Under Plate	1
43	YK759FAH.V2-43	Frame	1
44	YK759FAH.V2-44	Pin	2
45	HHB10120.S	Hex Head Bolt M10 x 120mm	4
46	YK759FAH.V2-46	Ram Assembly	1
47	SCB1035.SB	Socket Cap Bolt M10 x 35mm Black	4
48	GSM810.S	Grub Screw M8 x 10mm	13
49	YK759FAH.V2-49	Saddle (Serrated)	1
50	YK759FAH.V2-50	Gauge 1000Kg/CM ² 120T Ø 110mm Rear Fitting	1
51	YK759FAH.V2-51	Gauge Fitting	1
52	YK759FAH.V2-52	Half Nut M20 x 1.5mm Fine Pitch	1
53	YK759FAH.V2-53	Pump Assembly	1
53A	YK759FAH.V2-53A	Air Motor	1
54	SS1045.S	Hex Head Set Screw M10 x 45mm	3
55	AK458DX.V4-20	O-Ring, (8.84 x 5.28 x 1.78mm)	4
56	YK759FAH.V2-56	Short Oil Hose 740mm	1
57	YK759FAH.V2-57	Long Oil Hose 1420mm	1
58	YK759FAH.V2-58	Oil Hose (4 x 7 x 2330mm)	1
59	YK759FAH.V2-59	Air Hose	1
60	YK759FAH.V2-60	Screw	1
61	YK759FAH.V2-61	Foot Pedal	1
62	YK759FAH.V2-62	Cable Clamp	3
63	YK759FAH.V2-63	Steel Ball	8
64	YK759FAH.V2-64	Handle	1
65	YK759FAH.V2-65	Air Hose 15mm x 230mm	1
66	SS820.S	Hex Head Set Screw M8 x 20mm	1
67	FWM8.S	Flat Washer M8	1
68	YK759FAH.V2-68	Handle Grip	1
69	YK759FAH.V2-69	Cable	1
70	YK759FAH.V2-70	Cable	1
71	YK759FAH.V2-71	Connector For Short/Long Oil Hose	2
72	YK759FAH.V2-72	Nylon Ring	1
74	YK759FAH.V2-74	Oil Filler Nut	1
75	YK759FAH.V2-75	Quick Coupler (Male)	1
76	YK759FAH.V2-76	Spring	1

NOTE: It is our policy to continually improve products and as such we reserve the right to alter data, specifications and component parts without prior notice. There may be alternative versions of this product, please contact us should you require this information.

IMPORTANT: No liability is accepted for incorrect use of product. Spare parts must be fitted by a competent person

WARRANTY: Guarantee is 12 months from purchase date, proof of which will be required for any claim.

Sealey Group, Kempson Way, Suffolk Business Park, Bury St Edmunds, Suffolk. IP32 7AR



01284 757500



sales@sealey.co.uk



www.sealey.co.uk