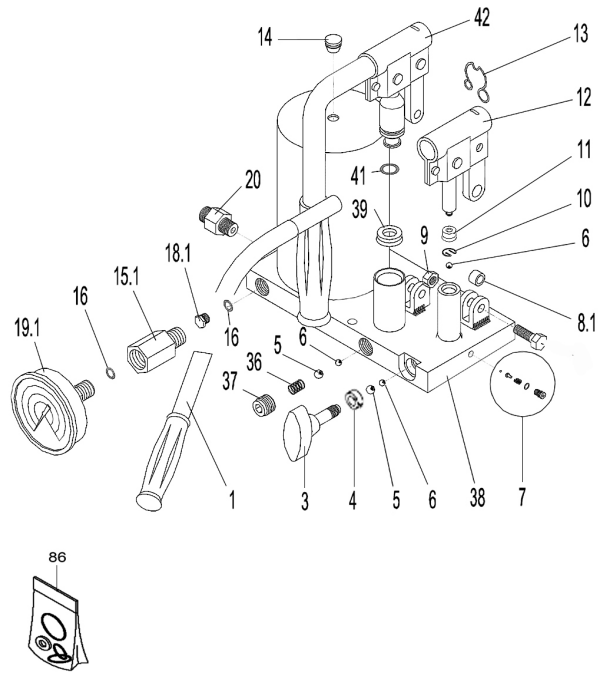
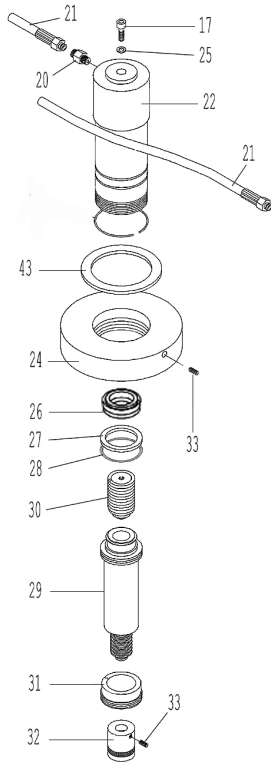
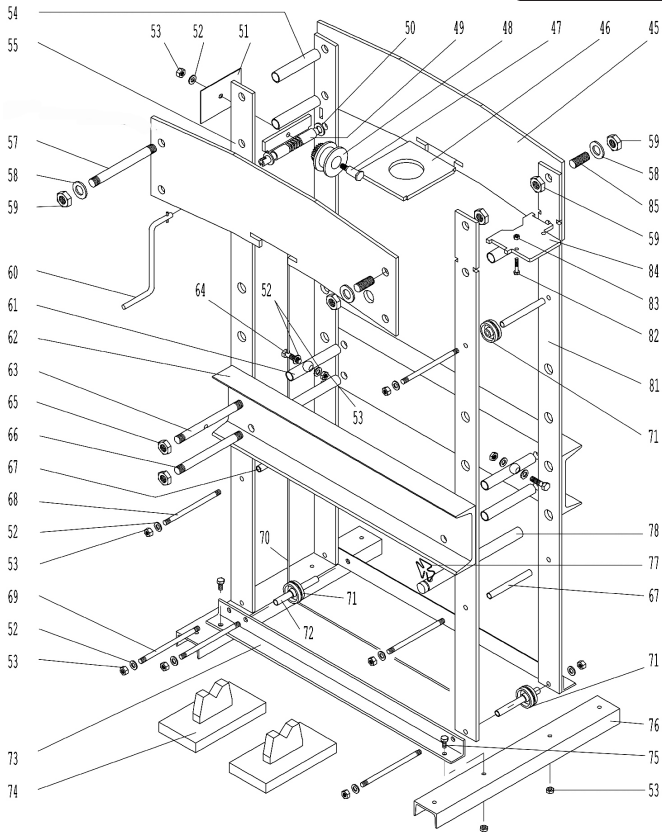




Parts Information:
**Hydraulic Press Premier Plus 50tonne
Floor Type
Model No: YK50FM.V2**



NOTE: It is our policy to continually improve products and as such we reserve the right to alter data, specifications and component parts without prior notice.

IMPORTANT: No liability is accepted for incorrect use of product.

WARRANTY: Guarantee is 12 months from purchase date, proof of which will be required for any claim.

Sealey Group, Kempson Way, Suffolk Business Park, Bury St Edmunds, Suffolk. IP32 7AR



01284 757500



01284 703534



sales@sealey.co.uk



www.sealey.co.uk



Parts Information:
**Hydraulic Press Premier Plus 50tonne
 Floor Type
 Model No: YK50FM.V2**

Item	Part No.	Description
1	YK50FM/35	HANDLE,PUMPING
3	YK50FM/03	RELEASE VALVE KNOB
4	MG-2/1130	O-RING
5	SB-8.0	STEEL BALL 8.0mm
6	SB-5.6	STEEL BALL 5.6mm
7	MG-2/C9	SAFETY VALVE
8.1	BKN-07/1475	BUSHING
9	EF-1.5/1318	NUT
10	MG-2/1161	CIRCLIP
11	MG-2/1133	SEAL
12	BK05-C7M	HANDLE SOCKET ASS'Y
13	BK-1/1282	CLIP
14	ME-12001/1139	FILLER PLUG
15.1	A-5578	CONNECTOR
16	MB-22-A/1130	O-RING
17	CS-100A/1383	SCREW
18.1	MGK/25	PLUG, GAUGE ELBOW FITTING
19.1	A-5110	GAUGE 700kg/cm2,100mm OD, Back Fitting.
20	KCK-15-2121	CONNECTOR
21	KSCM-15-1381	PIPE
22	CMK-50	RAM
24	CM-50/1508	NUT, RAM RETAINING
25	NS-1/1530	WASHER
26.1	ME50001/1134H	SEAL (ME-50001/113SEAL
27	CSK-50/1164	RING
28	CSK-50/1348	O-RING
29	CMK-50	RAM
30	CMK-50/1240	SPRING
31	YK50FM/31	NUT
32	YK50FM/32	SADDLE
33	GSM812.S	GRUB SCREW M8x12 (SINGLE)
36	ME-1501/1162	SPRING
37	Y-2/1160	SCREW
38	BKD-09	PUMP (CURRENT VERSION)
39	ME-1501/1134	SEAL (22x12.5x7)
41	TR-2/1289	O-RING
42	YK50FM/42	HANDLE SOCKET (L)
43	KPMD-50/1674	RING
45	YK50FM/45	FRAME

Item	Part No.	Description
46	YK50FM/46	CYLINDER SUPPORT
47	KCM-50/1959	AXLE
48	YK50FM/48	PULLEY,WORM GEAR
49	KPM-30/1957	WORM GEAR SHAFT
50	YK50FM/50	WASHER
51	YK50FM/51	COVER
52	FWM12.S	FLAT WASHER M12 SINGLE
53	SN12.S	STEEL NUT M12 ZINC DIN934(SINGLE)
54	KPM-30/2133	BUSHING
55	YK50FM/81	UPRIGHT
56	KPM-30/1197	AXLE
58	YK50FM/58	WASHER M22
59	TJM-2/1540	NUT
60	KCK-50/1962	WINDING HANDLE
61	KPM-30/1370-S	BUSHING
62	YK50FM/62	CROSS SECTION
63	KPM-30/1367-S	AXLE
64	KCM-50/1948	SCREW
65	SN20.S	STEEL NUT M20 ZINC DIN934(SINGLE)
66	KPM-30/1367	AXLE
67	KPM-30/2206	BUSHING
68	KPM-30/1264	AXLE
69	KPM-30/1670	AXLE
70	KC-50/1947	WIRE
71	KCM-50/1542	PULLEY
72	KPM-30/1815	BUSHING
73	YK50FM/73	CROSS SECTION
74	KCK-50A/C15	V BLOCK
75	KMM-30/1333	SCREW
76	YK50FM/76	FOOT
77	KMM-15/1366	CLIP
78	KCM-50/1365	AXLE
81	YK50FM/81	UPRIGHT
82	EF-1.5/1315	BOLT M8X40
83	ME-1002/1114	NUT
84	YK50FM/84	PLATE,TOP PULLEY
--	YK50FM/RK	REPAIR KIT (NOT SHOWN)
86	KP-30A-1948	CABLE CLAMP

NOTE: It is our policy to continually improve products and as such we reserve the right to alter data, specifications and component parts without prior notice.

IMPORTANT: No liability is accepted for incorrect use of product.

WARRANTY: Guarantee is 12 months from purchase date, proof of which will be required for any claim.

Sealey Group, Kempson Way, Suffolk Business Park, Bury St Edmunds, Suffolk. IP32 7AR



01284 757500



01284 703534



sales@sealey.co.uk



www.sealey.co.uk