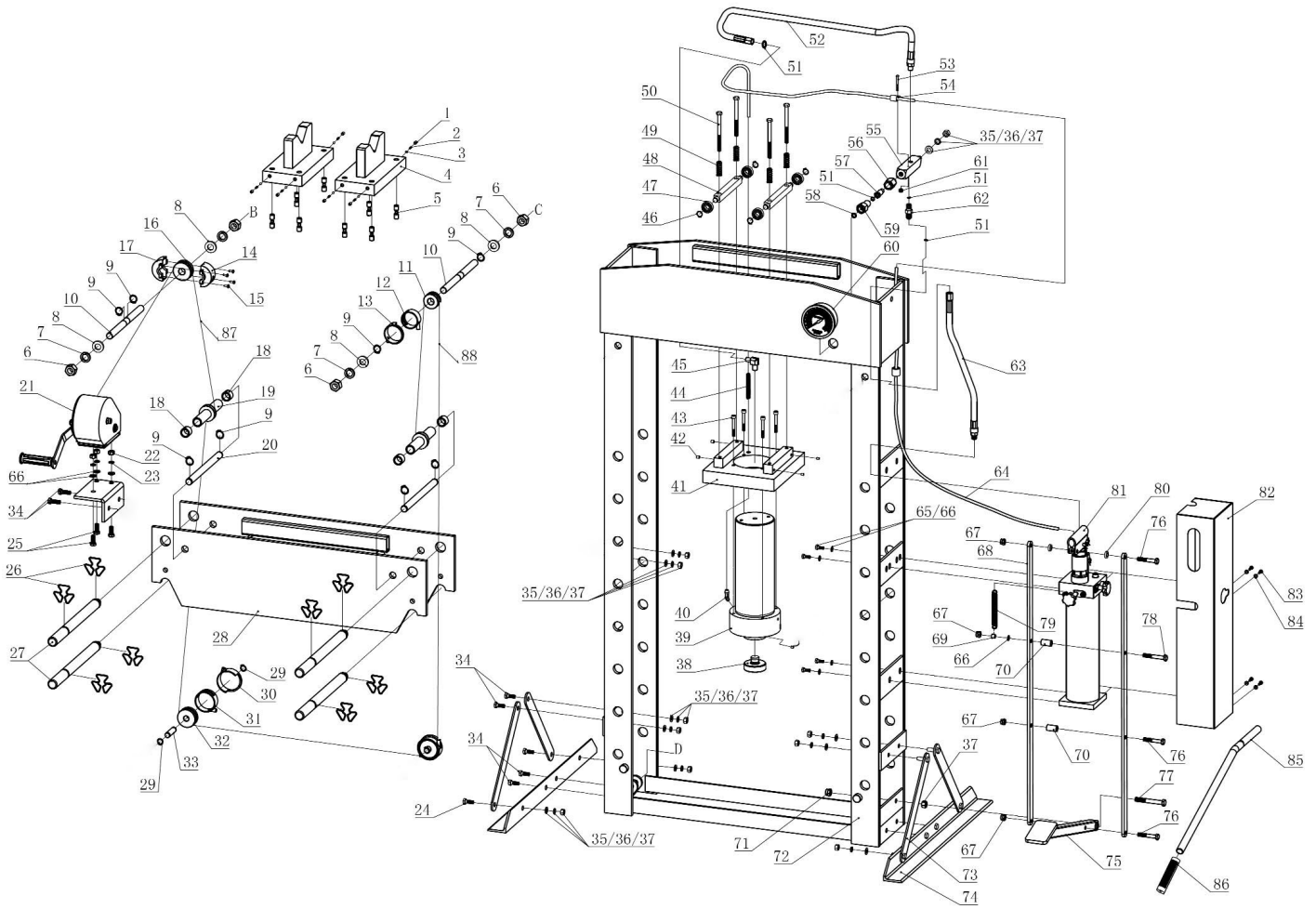




Parts Information:
**Hydraulic Press Premier 50tonne Floor
 Type with Foot Pedal**
Model No: YK50FFP



Item	Part No.	Description
1	GSM810.S	GRUB SCREW M8x10 (SINGLE)
2	YK50FFP.02	SPRING
3	SB-5.6	STEEL BALL 5.6mm
4	YK50FFP.04	V-BLOCK
5	YK50FFP.05	SCREW

Item	Part No.	Description
6	YK50FFP.06	NUT
7	YK50FFP.07	LOCK WASHER
8	YK50FFP.08	FLAT WASHER
9	YK50FFP.09	O-RING
10	YK50FFP.10	PIN FOR ROLLER

NOTE: It is our policy to continually improve products and as such we reserve the right to alter data, specifications and component parts without prior notice.

IMPORTANT: No liability is accepted for incorrect use of product.

WARRANTY: Guarantee is 12 months from purchase date, proof of which will be required for any claim.

Sealey Group, Kempson Way, Suffolk Business Park, Bury St Edmunds, Suffolk. IP32 7AR



01284 757500



01284 703534



sales@sealey.co.uk



www.sealey.co.uk



Parts Information:
Hydraulic Press Premier 50tonne Floor
Type with Foot Pedal
Model No: YK50FFP

Item	Part No.	Description
11	YK759FAH.25	ROLLER
12	YK50FFP.12	PROTECTIVE HOUSING (no.3)
13	YK50FFP.13	PROTECTIVE HOUSING (D)
14	YK50FFP.14	PROTECTIVE HOUSING (A)
15	YK50FFP.15	SCREW
16	YK50FFP.16	ROLLER (C)
17	YK50FFP.17	PROTECTIVE HOUSING (B)
18	YK759FAH.15	BUSH
19	YK50FFP.19	SHAFT WHEEL ASS'Y
20	YK759FAH.07	PIN
21	YK759F.11	HAND WINCH
22	YK50FFP.22	NUT
23	SWM10.S	SPRING WASHER M10 ZINC (SINGLE)
24	SS1230.S	HEX HEAD SET SCREW M12x30mm SINGLE
25	SS1025.S	HEX HEAD SET SCREW M10x25mm SINGLE
26	YK759FAH.13	RETAINING CLIP
27	YK509F.12	PIN, TABLE SUPPORT 400x30mm
28	YK50FFP.28	BED FRAME
29	YK50FFP.29	RING
30	YK50FFP.30	PROTECTIVE HOUSING (B)
31	YK50FFP.31	PROTECTIVE HOUSING (A)
32	YK759FAH.21	ROLLER
33	YK759FAH.07	PIN
34	YK50FFP.34	BOLT
35	YK50FFP.35	FLAT WASHER
36	YK50FFP.36	LOCK WASHER
37	YK50FFP.37	NUT
38	YK50FFP.38	SERRATED SADDLE
39	YK50FFP.39	RAM
40	YK50FFP.40	AIR HOSE CONNECTION
41	YK50FFP.41	RAM PLATE
42	YK50FFP.42	SCREW
43	YK50FFP.43	SCREW
44	YK50FFP.44	SCREW
45	YK50FFP.45	ELBOW FITTING
46	YK50FFP.46	RETAINING RING
47	B/6202ZZ	BEARING 6202ZZ
48	YK50FFP.48	CONNECTING PLATE
49	YK50FFP.49	SPRING
50	HHB10120.S	HEX HEAD BOLT M10x120mm SINGLE
51	YK50FFP.51	O-RING
52	YK50FFP.52	OIL HOSE (RAM)

Item	Part No.	Description
53	YK50FFP.53	SCREW
54	YK50FFP.54	AIR HOSE
55	YK50FFP.55	UNION SEAT
56	YK50FFP.56	UNION NUT
57	YK50FFP.57	UNION SCREW
58	YK759FAH.61	NYLON RING
59	YK509FAH.43	GAUGE FITTING
60	YK50FFP.60	PRESSURE GAUGE
61	NLN5.S	NYLOC NUT M5 ZINC DIN 985 (SINGLE)
62	YK50FFP.62	JOINT
63	YK50FFP.63	OIL HOSE (PUMP)
64	YK50FFP.64	AIR HOSE
65	YK50FFP.65	BOLT
66	YK50FFP.66	FLAT WASHER
67	YK50FFP.67	NUT
68	YK50FFP.68	SUPPORT
69	YK50FFP.69	BUSHING
70	YK50FFP.70	BUSHING
71	YK50FFP.71	NUT
72	YK50FFP.72	FRAME
73	YK50FFP.73	SUPPORT
74	YK50FFP.74	BASE SECTION
75	YK50FFP.75	FOOT PEDAL
76	YK50FFP.76	BOLT
77	YK50FFP.77	BOLT
78	YK50FFP.78	BOLT
79	YK50FFP.79	SPRING
80	YK50FFP.80	BUSHING
81	YK50FFP.81	PUMP
--	YK509FAH.50	RELEASE VALVE (NOT SHOWN)
--	YK50FFP.P	PLASTIC ROLLER COVER (NOT SHOWN)
82	YK50FFP.82	PROTECTIVE HOUSING FOR PUMP
83	YK50FFP.83	SCREW
84	YK50FFP.84	FLAT WASHER
85	YK50FFP.85	HANDLE
86	YK50FFP.86	HANDLE GRIP
--	YK50FFP.P20	RELEASE VALVE (LONG) (NOT SHOWN)
--	YK50FFP.P40	O-RING FOR RELEASE VALVE (NOT SHOWN)
--	YK509F.CC	CABLE CLAMP (NOT SHOWN)
87	YK50FFP.87	STEEL CABLE
88	YK50FFP.88	STEEL CABLE

NOTE: It is our policy to continually improve products and as such we reserve the right to alter data, specifications and component parts without prior notice.

IMPORTANT: No liability is accepted for incorrect use of product.

WARRANTY: Guarantee is 12 months from purchase date, proof of which will be required for any claim.

Sealey Group, Kempson Way, Suffolk Business Park, Bury St Edmunds, Suffolk. IP32 7AR



01284 757500



01284 703534



sales@sealey.co.uk



www.sealey.co.uk