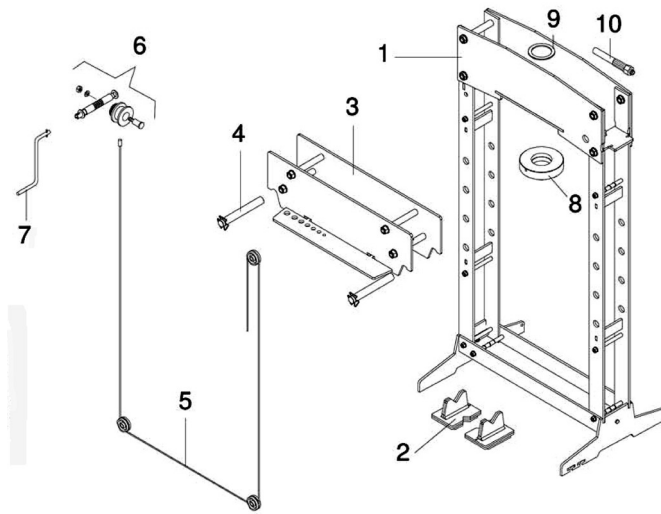
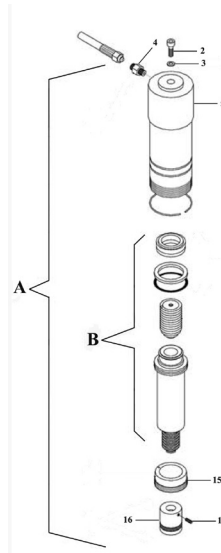


Parts Information: Air/Hydraulic Press 50tonne Floor Type Model No: YK50FAH.V3



Item	Part No.	Description
1	KPD-50A-C1M	FRAME
2	KPD-50AM-C15	V-BLOCK
3	KPD-50AM-C44	TABLE 875 X 200
--	CSK-15-2038	PRESS PIN 3t (NOT SHOWN)
--	CSK-15-2039	PRESS PIN 8t (NOT SHOWN)
--	CSK-15-2040	PRESS PIN 12t (NOT SHOWN)
--	CSK-15-2041	PRESS PIN 14t (NOT SHOWN)
--	CSK-15-2042	PRESS PIN 16t (NOT SHOWN)
--	CSK-15-2043	PRESS PIN 18t (NOT SHOWN)

Item	Part No.	Description
--	CSK-15-2044	PRESS PIN 20t (NOT SHOWN)
4	KPD-50AM-C92	PIN, TABLE SUPPORT 250x35mm
5	KCK-50A-C89M	WIRE (COMES WITH ROLLERS)
6	KCK-50A-C88	WORM GEAR SHAFT ASS'Y
7	KCK-50-C64	WINDING HANDLE
8	CM-50/1508	NUT, RAM RETAINING
9	KPMD-50/1674	RING
10	KPMD-30/1381	PIPE
--	BKN-09	AIR AND HYDRAULIC PUMP COMPLETE (NOT SHOWN)



Item	Part No.	Description
2	CS-100A/1383	SCREW
3	NS-1/1530	WASHER
4	KCK-15-2121	CONNECTOR
5 (A)	CMK-50	RAM

Item	Part No.	Description
15	YK50FM/31	NUT
16	YK50FM/32	SADDLE
17	GSM812.S	GRUB SCREW M8x12 (SINGLE)
B	CMK-50-C14M	MAIN PISTON

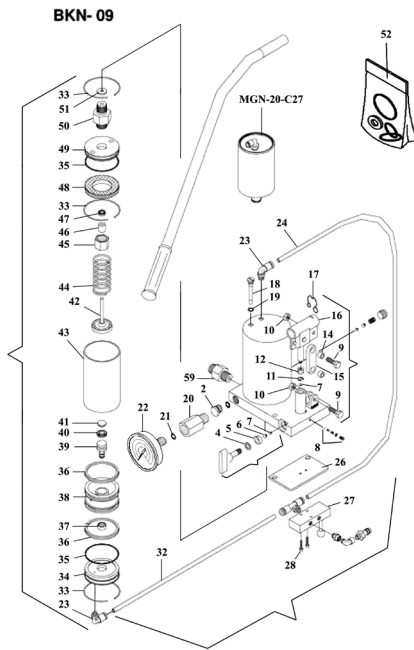
NOTE: It is our policy to continually improve products and as such we reserve the right to alter data, specifications and component parts without prior notice.

IMPORTANT: No liability is accepted for incorrect use of product.

WARRANTY: Guarantee is 12 months from purchase date, proof of which will be required for any claim.



Parts Information:
Air/Hydraulic Press 50tonne Floor Type
Model No: YK50FAH.V3



Item	Part No.	Description
2	Y-2/1160	SCREW
4	BKN-05/1128	SEAL RING
5	BKN-05/1130	O-RING
6	SB-8.0	STEEL BALL 8.0mm
7	SB-5.6	STEEL BALL 5.6mm
8	MG-2/C9	SAFETY VALVE
9	KC-15/1309	SCREW
10	EF-1.5/1318	NUT
11	MG-2/1161	CIRCLIP
12	MG-2/1133	SEAL
14	BKN-07/1475	BUSHING
15	BKN-07/1111	ARM LINK
16	BM-04/C7	HANDLE SOCKET
17	BK-1/1282	CLIP
18	BKN-09/C55	PLUG
19	MAJ10-20/13	O-RING
20	A-5578	CONNECTOR
22	A-5110	GAUGE 700kg/cm2,100mm OD, Back Fitting.
23	YK50FAH/P-23	ELBOW
24	YK50FAH.P-24	PIPE (500mm LONG)
26	BKN-05/1305	VALVE SUPPORT PLATE
27	YK50FAH/P-27	VALVE
28	BKN-05/1481	SCREW
32	YK50FAH.P-32	PIPE (250mm LONG)

Item	Part No.	Description
33	MG-25/1361	RING
34	MGN-20/1599	LID
35	NS-2/1600	O-RING
36	NS-2/1612	O-RING
37	NS-1/1614	SEAL
38	NS-1/1610	PISTON
39	MGN-20/1615	AXLE
40	MGN-20/1613	SEAL
41	NS-2/1616	PLUG
42	MGN-20/C8	PUMP ROD
43	MGN-20/1609	PUMP CYLINDER
44	MGN-20/1241	SPRING
45	MGN-20/1114	PISTON GUIDE
46	MGN-20/1143	PISTON GUIDE
47	C-212/1133	SEAL
48	MGN-20/1153	FILTER
49	MGN-20/2191	UPPER LID
50	MGN-20/1655	CONNECTOR
51	NS-1/1119	SEAL
52	RBKN-09	REPAIR KIT
--	MB-22-A/1130	O-RING (NOT SHOWN)
--	A-5578-OLD	CONNECTOR,OLD TYPE FOR GAUAGE W/ BOTTOM F (NOT SHOWN)
--	BKN-09.E	ELBOW (NOT SHOWN)

PLEASE NOTE LIMITED SPARE PARTS AVAILABLE!

NOTE: It is our policy to continually improve products and as such we reserve the right to alter data, specifications and component parts without prior notice.

IMPORTANT: No liability is accepted for incorrect use of product.

WARRANTY: Guarantee is 12 months from purchase date, proof of which will be required for any claim.

Sealey Group, Kempson Way, Suffolk Business Park, Bury St Edmunds, Suffolk. IP32 7AR



01284 757500



01284 703534



sales@sealey.co.uk



www.sealey.co.uk