

NOTE: It is our policy to continually improve products and as such we reserve the right to alter data, specifications and component parts without prior notice.

IMPORTANT: No liability is accepted for incorrect use of product.

WARRANTY: Guarantee is 12 months from purchase date, proof of which will be required for any claim.



Parts Information:
Air/Hydraulic Press 50tonne Floor Type
Model No: YK50FAH.V2

Item	Part No.	Description
--	FWM12.S	FLAT WASHER M12 SINGLE (NOT SHOWN)
46	YK50FM/46	CYLINDER SUPPORT
47	KCM-50/1959	AXLE
48	YK50FM/48	PULLEY,WORM GEAR
49	KPM-30/1957	WORM GEAR SHAFT
50	YK50FM/50	WASHER
51	YK50FM/51	COVER
52	FWM12.S	FLAT WASHER M12 SINGLE
53	SN12.S	STEEL NUT M12 ZINC DIN934(SINGLE)
54	KPM-30/2133	BUSHING
57	KPM-30/1197	AXLE
58	YK50FM/58	WASHER M22
59	TJM-2/1540	NUT
60	KCK-50/1962	WINDING HANDLE
61	KPM-30/1370-S	BUSHING
62	YK50FM/62	CROSS SECTION
63	KPM-30/1367-S	AXLE
64	KCM-50/1948	SCREW
65	SN20.S	STEEL NUT M20 ZINC DIN934(SINGLE)
66	KPM-30/1367	AXLE

Item	Part No.	Description
67	KPM-30/2206	BUSHING
68	KPM-30/1264	AXLE
69	KPM-30/1670	AXLE
70	KC-50/1947	WIRE
71	KCM-50/1542	PULLEY
72	KPM-30/1815	BUSHING
73	YK50FM/73	CROSS SECTION
74	KCK-50A/C15	V BLOCK
75	KMM-30/1333	SCREW
76	YK50FM/76	FOOT
77	KMM-15/1366	CLIP
78	KCM-50/1365	AXLE
82	EF-1.5/1315	BOLT M8X40
83	ME-1002/1114	NUT
84	YK50FM/84	PLATE,TOP PULLEY
--	BKN-09	AIR AND HYDRAULIC PUMP COMPLETE (NOT SHOWN)
--	CMK-50	RAM (NOT SHOWN)
--	YK50FM/RK	REPAIR KIT (NOT SHOWN)
--	KP-30A-1948	CABLE CLAMP (NOT SHOWN)
--	KCK-50A-C92	AXLE (NOT SHOWN)

NOTE: It is our policy to continually improve products and as such we reserve the right to alter data, specifications and component parts without prior notice.

IMPORTANT: No liability is accepted for incorrect use of product.

WARRANTY: Guarantee is 12 months from purchase date, proof of which will be required for any claim.

Sealey Group, Kempson Way, Suffolk Business Park, Bury St Edmunds, Suffolk. IP32 7AR



01284 757500



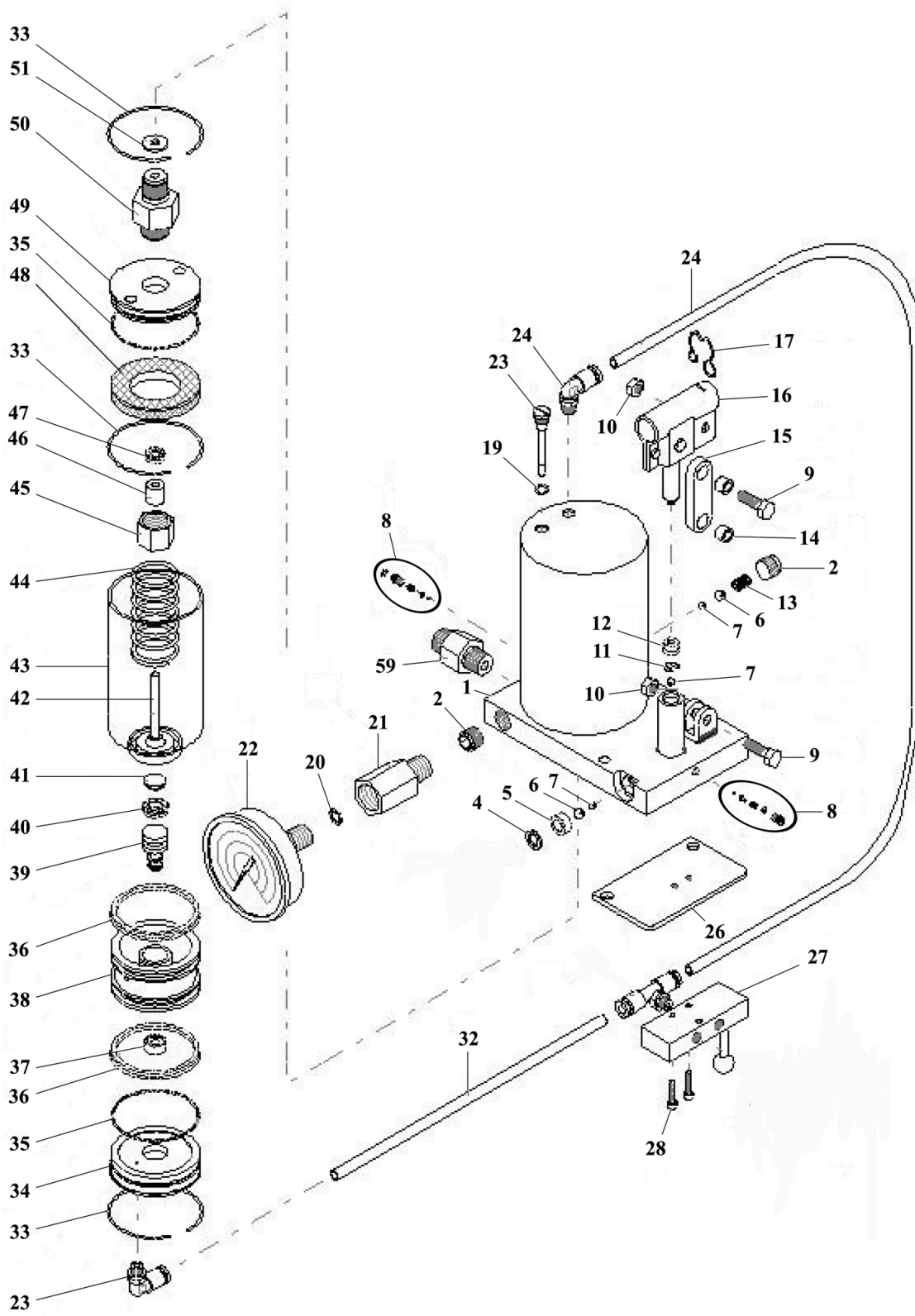
01284 703534



sales@sealey.co.uk



www.sealey.co.uk



NOTE: It is our policy to continually improve products and as such we reserve the right to alter data, specifications and component parts without prior notice.

IMPORTANT: No liability is accepted for incorrect use of product.

WARRANTY: Guarantee is 12 months from purchase date, proof of which will be required for any claim.



Parts Information:
Air/Hydraulic Press 50tonne Floor Type
Model No: YK50FAH.V2

Item	Part No.	Description
2	Y-2/1160	SCREW
4	BKN-05/1128	SEAL RING
5	BKN-05/1130	O-RING
6	SB-8.0	STEEL BALL 8.0mm
7	SB-5.6	STEEL BALL 5.6mm
8	MG-2/C9	SAFETY VALVE
9	KC-15/1309	SCREW
10	EF-1.5/1318	NUT
11	MG-2/1161	CIRCLIP
12	MG-2/1133	SEAL
13	ME-1501/1162	SPRING
14	BKN-07/1475	BUSHING
14	BKN-09/C55	PLUG
15	BKN-07/1111	ARM LINK
16	BM-04/C7	HANDLE SOCKET
17	BK-1/1282	CLIP
18	BKN-09/C55	PLUG
19	MAJ10-20/13	O-RING
20	MB-22-A/1130	O-RING
21	A-5578	CONNECTOR
--	A-5578-OLD	CONNECTOR (NOT SHOWN)
22	A-5110	GAUGE 700kg/cm ² ,100mm OD, Back Fitting.
23	YK50FAH/P-23	ELBOW
24	YK50FAH.P-24	PIPE (500mm LONG)
26	BKN-05/1305	VALVE SUPPORT PLATE

Item	Part No.	Description
27	YK50FAH/P-27	VALVE
28	BKN-05/1481	SCREW
32	YK50FAH.P-32	PIPE (250mm LONG)
33	MG-25/1361	RING
34	MGN-20/1599	LID
35	NS-2/1600	O-RING
36	NS-2/1612	O-RING
37	NS-1/1614	SEAL
38	NS-1/1610	PISTON
--	MGN-20/1615	AXLE (NOT SHOWN)
40	MGN-20/1613	SEAL
41	NS-2/1616	PLUG
42	MGN-20/C8	PUMP ROD
43	MGN-20/1609	PUMP CYLINDER
44	MGN-20/1241	SPRING
45	MGN-20/1114	PISTON GUIDE
46	MGN-20/1143	PISTON GUIDE
47	C-212/1133	SEAL
48	MGN-20/1153	FILTER
49	MGN-20/2191	UPPER LID
50	MGN-20/1655	CONNECTOR
51	NS-1/1119	SEAL
--	RBKN-09	REPAIR KIT (NOT SHOWN)
--	BKN-09.E	ELBOW (NOT SHOWN)
59	KCK-15-2121	CONNECTOR

NOTE: It is our policy to continually improve products and as such we reserve the right to alter data, specifications and component parts without prior notice.

IMPORTANT: No liability is accepted for incorrect use of product.

WARRANTY: Guarantee is 12 months from purchase date, proof of which will be required for any claim.

Sealey Group, Kempson Way, Suffolk Business Park, Bury St Edmunds, Suffolk. IP32 7AR



01284 757500



01284 703534

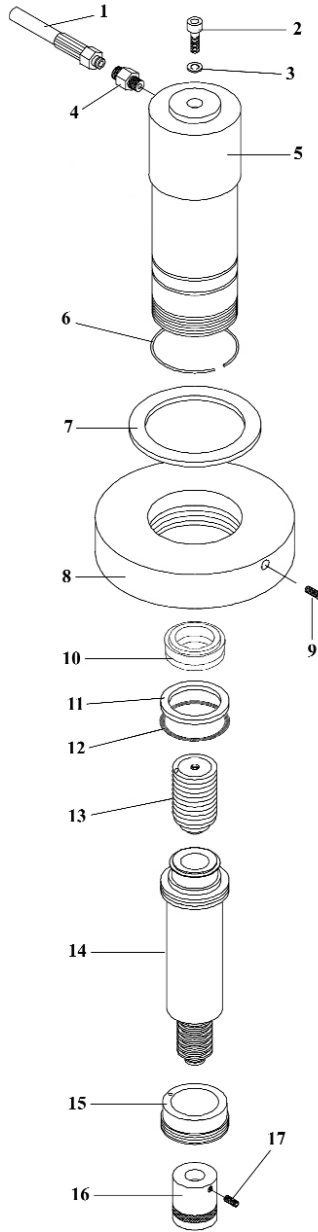


sales@sealey.co.uk



www.sealey.co.uk

Parts Information:
Air/Hydraulic Press 50tonne Floor Type
Model No: YK50FAH.V2



Item	Part No.	Description	Item	Part No.	Description
1	RCMK-50	REPAIR KIT (NOT SHOWN)	10	ME50001/1134H	SEAL
2	CS-100A/1383	SCREW	11	CSK-50/1164	RING
3	NS-1/1530	WASHER	12	CSK-50/1348	O-RING
4	KCK-15-2121	CONNECTOR	13	CMK-50/1240	SPRING
5	CMK-50	RAM	14	CMK-50	RAM
6	KPMD-30/1381	PIPE	15	A-5578	CONNECTOR
7	KPMD-50/1674	RING	16	YK50FM/32	SADDLE
8	CM-50/1508	NUT, RAM RETAINING	17	GSM812.S	GRUB SCREW M8x12 (SINGLE)
9	GSM812.S	GRUB SCREW M8x12 (SINGLE)			

NOTE: It is our policy to continually improve products and as such we reserve the right to alter data, specifications and component parts without prior notice.

IMPORTANT: No liability is accepted for incorrect use of product.

WARRANTY: Guarantee is 12 months from purchase date, proof of which will be required for any claim.