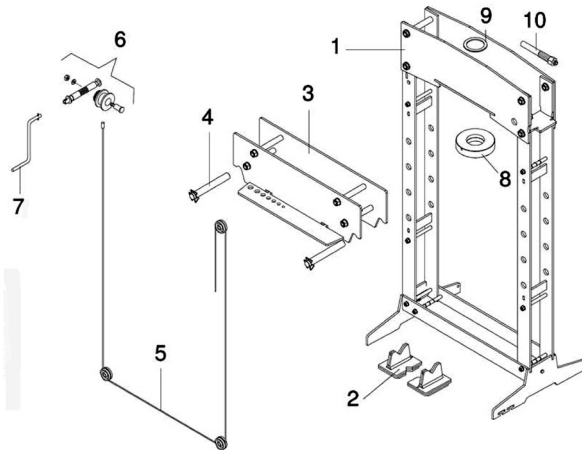


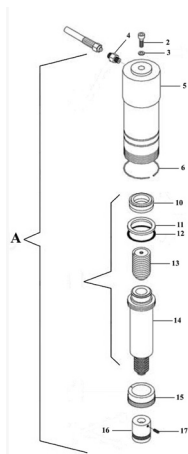


Parts Information:  
**Air/Hydraulic Press 50tonne Floor Type  
 with Foot Pedal**  
**Model No: YK50FAHFP.V2**



Item	Part No.	Description
1	KPD-50A-C1M	FRAME
2	KPD-50AM-C15	V-BLOCK
3	KPD-50AM-C44	TABLE 875 X 200
--	CSK-15-2038	PRESS PIN 3t (NOT SHOWN)
--	CSK-15-2039	PRESS PIN 8t (NOT SHOWN)
--	CSK-15-2040	PRESS PIN 12t (NOT SHOWN)
--	CSK-15-2041	PRESS PIN 14t (NOT SHOWN)
--	CSK-15-2042	PRESS PIN 16t (NOT SHOWN)
--	CSK-15-2043	PRESS PIN 18t (NOT SHOWN)

Item	Part No.	Description
--	CSK-15-2044	PRESS PIN 20t (NOT SHOWN)
4	KCK-50AM-C92	PIN, TABLE SUPPORT 250x35mm
5	KCK-50A-C89M	WIRE (COMES WITH ROLLERS)
6	KCK-50A-C88	WORM GEAR SHAFT ASS'Y
7	KCK-50-C64	WINDING HANDLE
8	CM-50/1508	NUT, RAM RETAINING
9	KPMD-50/1674	RING
10	KPMD-30/1381	PIPE
--	BKN-09F	FOOT/HAND OPERATED PUMP ASSEMBLY (NOT SHOWN)



Item	Part No.	Description
2	CS-100A/1383	SCREW
3	NS-1/1530	WASHER
4	KCK-15-2121	CONNECTOR
5 (A)	CMK-50	RAM
6	KPMD-50/1674	RING
10	ME50001/1134H	SEAL (ME-50001/113SEAL)
11	CSK-50/1164	RING
12	CSK-50/1348	O-RING

Item	Part No.	Description
13	CMK-50/1240	SPRING
14	CMK-50	RAM
15	A-5578	CONNECTOR
16	YK50FM/32	SADDLE
17	GSM812.S	GRUB SCREW M8x12 (SINGLE)
--	RCMK-50	REPAIR KIT (NOT SHOWN)
--	KPMD-30/1381	PIPE(NOT SHOWN)
--	CM-50/1508	NUT, RAM RETAINING (NOT SHOWN)

**NOTE:** It is our policy to continually improve products and as such we reserve the right to alter data, specifications and component parts without prior notice.

**IMPORTANT:** No liability is accepted for incorrect use of product.

**WARRANTY:** Guarantee is 12 months from purchase date, proof of which will be required for any claim.

**Sealey Group**, Kempson Way, Suffolk Business Park, Bury St Edmunds, Suffolk. IP32 7AR



01284 757500



01284 703534



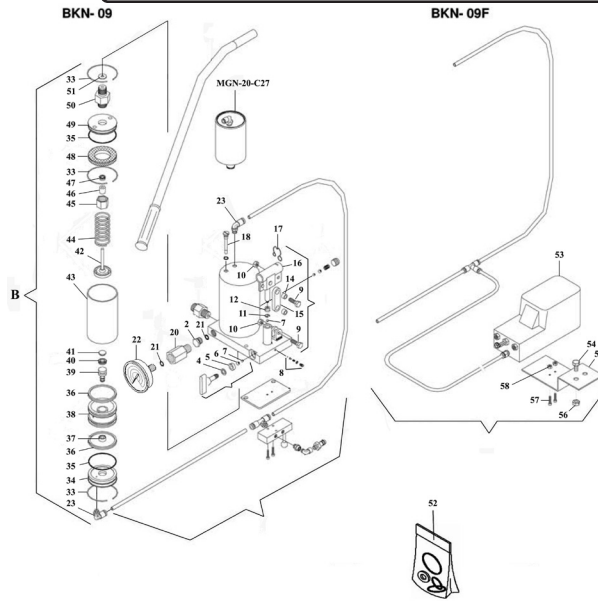
sales@sealey.co.uk



www.sealey.co.uk



Parts Information:  
**Air/Hydraulic Press 50tonne Floor Type  
 with Foot Pedal**  
**Model No: YK50FAHFP.V2**



Item	Part No.	Description
2	Y-2/1160	SCREW
4	BKN-05/1128	SEAL RING
5	BKN-05/1130	O-RING
6	SB-8.0	STEEL BALL 8.0mm
7	SB-5.6	STEEL BALL 5.6mm
8	MG-2/C9	SAFETY VALVE
9	KC-15/1309	SCREW
10	EF-1.5/1318	NUT
11	MG-2/1161	CIRCLIP
12	MG-2/1133	SEAL
14	BKN-07/1475	BUSHING
15	BKN-07/1111	ARM LINK
16	BM-04/C7	HANDLE SOCKET
17	BK-1/1282	CLIP
18	BKN-09/C55	PLUG
20	A-5578	CONNECTOR
21	MB-22-A/1130	O-RING
22	A-5110	GAUGE 700kg/cm <sup>2</sup> ,100mm OD, Back Fitting.
23	BKN-09/23A	ELBOW (LOWER)
33	MG-25/1361	RING
34	MGN-20/1599	LID
35	NS-2/1600	O-RING
36	NS-2/1612	O-RING
37	NS-1/1614	SEAL
38	NS-1/1610	PISTON

Item	Part No.	Description
39	MGN-20/1615	AXLE
40	MGN-20/1613	SEAL
41	NS-2/1616	PLUG
42	MGN-20/C8	PUMP ROD
43	MGN-20/1609	PUMP CYLINDER
44	MGN-20/1241	SPRING
45	MGN-20/1114	PISTON GUIDE
46	MGN-20/1143	PISTON GUIDE
47	C-212/1133	SEAL
48	MGN-20/1153	FILTER
49	MGN-20/2191	UPPER LID
50	MGN-20/1655	CONNECTOR
51	NS-1/1119	SEAL
52	RBKN-09	REPAIR KIT
53	BKN-09/C39	FOOT PUMP/PEDAL
54	KP-30/1948-A	BOLT
55	A-5553/1305	VALVE SUPPORT PLATE
56	SN12.S	STEEL NUT M12 ZINC DIN934(SINGLE)
57	A-5553/1481	SCREW
58	SN4.S	STEEL NUT M4 ZINC DIN934 (SINGLE)
B	MGN-20-C27	PUMP COMPLETE
--	ME-1501/1162	SPRING (NOT SHOWN)
--	BKN-09/C55	PLUG (NOT SHOWN)
--	YK50FM/35	HANDLE,PUMPING (NOT SHOWN)

**PLEASE NOTE LIMITED SPARE PARTS AVAILABLE!**

**NOTE:** It is our policy to continually improve products and as such we reserve the right to alter data, specifications and component parts without prior notice.

**IMPORTANT:** No liability is accepted for incorrect use of product.

**WARRANTY:** Guarantee is 12 months from purchase date, proof of which will be required for any claim.

**Sealey Group**, Kempson Way, Suffolk Business Park, Bury St Edmunds, Suffolk. IP32 7AR



01284 757500



01284 703534



sales@sealey.co.uk



www.sealey.co.uk