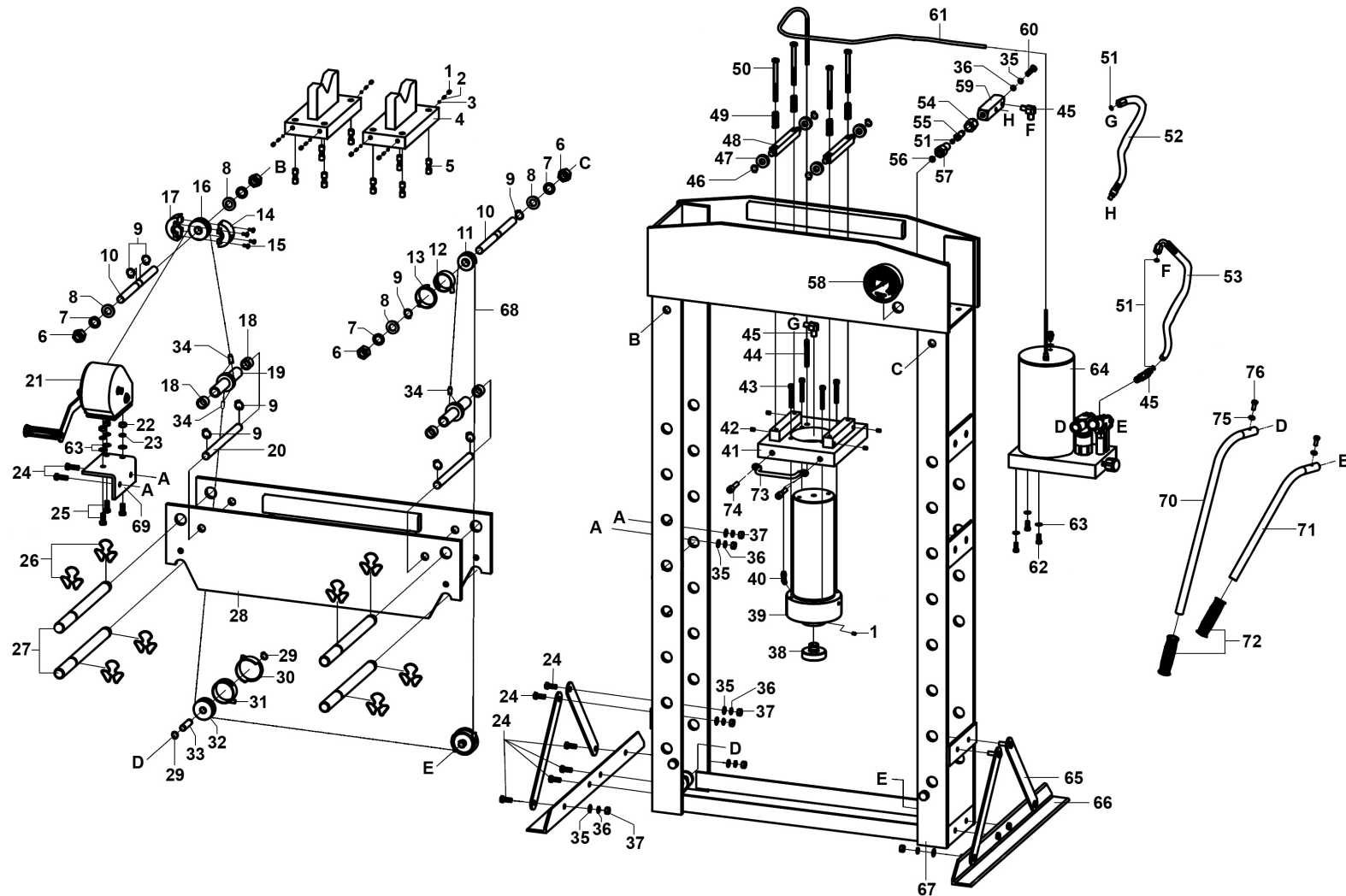




Parts Information:
Hydraulic Press 50tonne Floor Type
Model No: YK509F.V3



NOTE: It is our policy to continually improve products and as such we reserve the right to alter data, specifications and component parts without prior notice.

There may be alternative versions of this product, please contact us should you require this information.

IMPORTANT: No liability is accepted for incorrect use of product. Spare parts must be fitted by a competent person

WARRANTY: Guarantee is 12 months from purchase date, proof of which will be required for any claim.

Sealey Group, Kempson Way, Suffolk Business Park, Bury St Edmunds, Suffolk. IP32 7AR



01284 757500



01284 703534



sales@sealey.co.uk



www.sealey.co.uk



Parts Information:
Hydraulic Press 50tonne Floor Type
Model No: YK509F.V3

Item	Part No.	Description
1	GSM810.S	Grub Screw M8X10 (Single)
2	YK509F.V2-02	Spring Dia 4.8mm
3	SB-5.6	Steel Ball 5.6mm
4	YK509F.V2-04	V-Block
5	YK509F.V2-05	Roller
6	YK509F.V2-06	Nut
7	YK509F.V2-07	Lock Washer
8	YK509F.V2-08	Ext Circlip For Pin
9	SM353CEV2.048	External Circlip 18.4mm Id.
10	YK509F.V2-10	Pin
11	YK509F.V2-11	Roller
12	YK509F.V2-12	Protective Housing (No.3)
13	YK509F.V2-13	Protective Housing (D)
14	YK509F.V2-14	Protective Housing (A)
15	YK509F.V2-15	Screw
16	YK509F.V2-16	Roller
17	YK509F.V2-17	Protective Housing (B)
18	YK509F.V2-18	Bush
19	YK509F.V2-19	Shaft Wheel
20	YK509F.V2-20	Pin (M20 x 275)
21	YK509F.V2-21	Hand Winch
22	YK509F.V2-22	Nut
23	YK509F.V2-23	Spring Washer
24	SS1235.S	Hex Head Set Screw M12 X 35 Zinc
25	SS1025.S	Hex Head Set Screw M10 X 25 Zinc
26	YK509F.V2-26	Retaining Clip
27	YK509F.V2-27	Pin, Table Support 400x30mm
28	YK509F.V2-28	Bed Frame
29	YK509F.V2-29	Ring
30	YK509F.V2-30	Protective Housing (B)
31	YK509F.V2-31	Protective Housing (A)
32	YK509F.V2-32	Roller
33	YK509F.V2-33	Roller
34	YK509F.V2-34	Cable Protection
35	FWM12.S	Flat Washer M12 Zinc
36	SWM12.S	Spring Washer M12 Zinc
37	SN12.S	Steel Nut M12 Zinc
38	YK509F.V2-38	Saddle (Serrated)
39	YK509F.V2-39	Ram Ass'y
40	YK509F.V2-40	Air Hose Connection

Item	Part No.	Description
41	YK509F.V2-41	Under Plate
42	GSM810.S	Grub Screw M8X10 (Single)
43	YK509F.V2-43	Screw
44	YK509F.V2-44	Spring
45	YK509F.V2-45	Elbow Fitting
46	YK509F.V2-46	Retaining Ring
47	YK509F.V3-47	Roller
48	YK509F.V2-48	Connecting Rod
49	YK509F.V2-49	Spring Dia 16.5mm
50	HHB10120.S	Hex Head Bolt M10 X 120mm
51	AK458DX.V4-20	O-Ring, (Ex: 8.84 In: 5.28 Cs: 1.78)
52	YK509F.V2-52	Oil Hose 20mm x 270mm
53	YK509F.V2-53	Oil Hose (2)
54	YK509F.V2-54	Deep Nut
55	YK509F.V2-55	Banjo Fixing
56	YK509F.V2-56	Nylon Ring
57	YK509F.V2-57	Gauge Fitting
58	YK509F.V2-58	Pressure Gauge 1000Kgf/Cm2 80tonnes (110mm Od)
59	YK509F.V3-59	Connecting Plate
60	YK509F.V3-60	Bolt
61	YK509F.V2-61	Air Hose
62	YK509F.V2-62	Screw
63	YK509F.V2-63	Flat Washer
64	YK509F.V2-64	Pump Ass'y
65	YK509F.V3-65	Support
66	YK509F.V3-66	Base Section
67	YK509F.V3-67	Frame
68	YK509F.V3-68	Cable
69	YK509F.V3-69	Plate For Handwinch
70	YK509F.V3-70	Handle (A)
71	YK509F.V3-71	Handle (B)
72	YK509F.V3-72	Handle Grip
73	YK509F.V3-73	Carry Handle
74	YK509F.V3-74	Screw for Carry Handle
75	YK509F.V3-75	Washer
76	YK509F.V3-76	Bolt
--	YK509F.V2-RS	Ram Seal Kit (not shown)
--	YK509F.V2-SK	Pump Seal Kit (not shown)

NOTE: It is our policy to continually improve products and as such we reserve the right to alter data, specifications and component parts without prior notice. There may be alternative versions of this product, please contact us should you require this information.

IMPORTANT: No liability is accepted for incorrect use of product. Spare parts must be fitted by a competent person

WARRANTY: Guarantee is 12 months from purchase date, proof of which will be required for any claim.

Sealey Group, Kempson Way, Suffolk Business Park, Bury St Edmunds, Suffolk. IP32 7AR



01284 757500



01284 703534



sales@sealey.co.uk



www.sealey.co.uk