

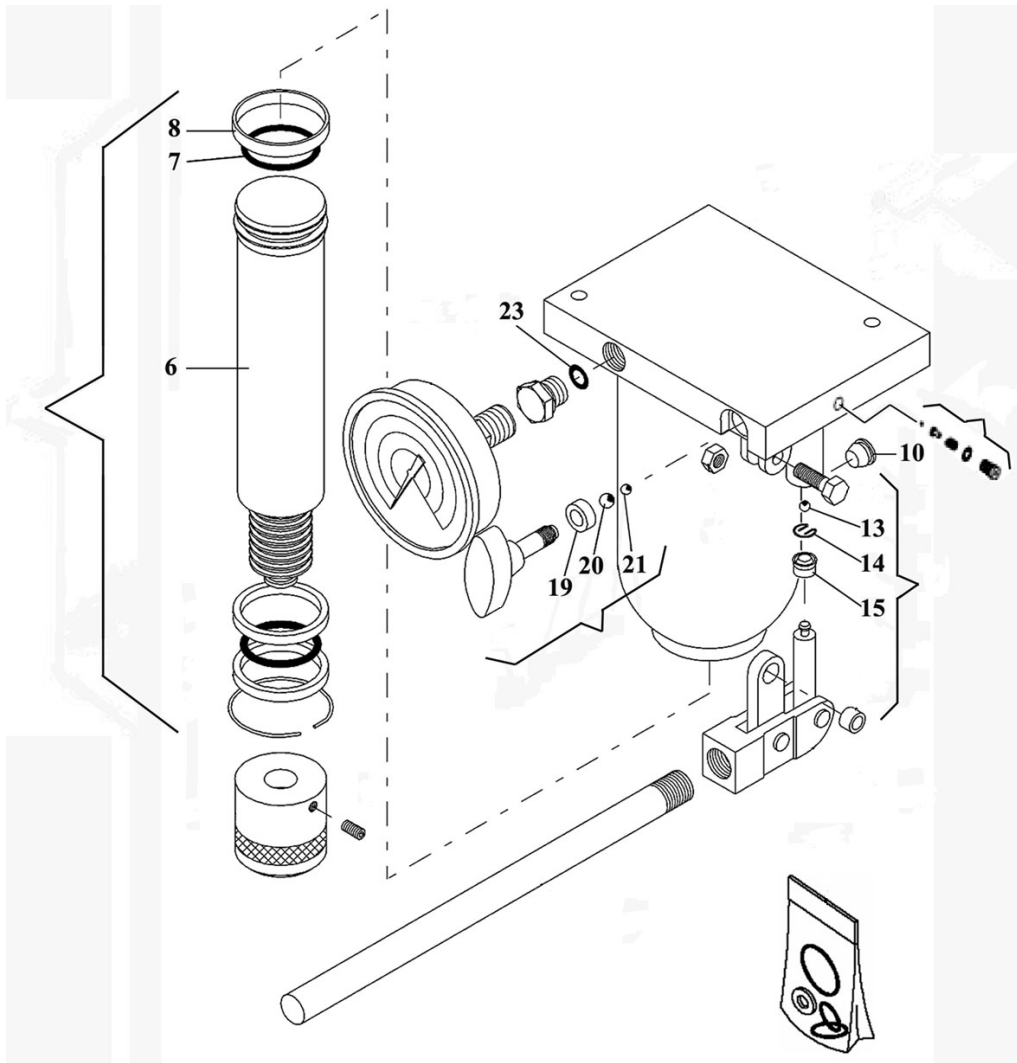
Item	Part No.	Description
1	KMG-30A-C1M	FRAME ASSY
2	KPD-50AM-C15	V-BLOCK
3	KCK-30AM-C44	TABLE
--	CSK-15-2038	PRESS PIN 3t (NOT SHOWN)
--	CSK-15-2039	PRESS PIN 8t (NOT SHOWN)
--	CSK-15-2040	PRESS PIN 12t (NOT SHOWN)

Item	Part No.	Description
--	CSK-15-2041	PRESS PIN 14t (NOT SHOWN)
--	CSK-15-2042	PRESS PIN 16t (NOT SHOWN)
--	CSK-15-2043	PRESS PIN 18t (NOT SHOWN)
--	CSK-15-2044	PRESS PIN 20t (NOT SHOWN)
4	KCK-30A-C92	PIN, TABLE SUPPORT 250x24mm
5	KMG-30A-C81	BASE PLATE ASSY

**NOTE:** It is our policy to continually improve products and as such we reserve the right to alter data, specifications and component parts without prior notice.

**IMPORTANT:** No liability is accepted for incorrect use of product.

**WARRANTY:** Guarantee is 12 months from purchase date, proof of which will be required for any claim.



Item	Part No.	Description
6 (A)	MGK-30-C14M	MAIN PISTON ASS'Y
7	MG-30/1134	O-RING
8	MG-30/1164	RING
10	ME-12001/1139	FILLER PLUG
13	SB-5.6	STEEL BALL 5.6mm
14	MG-2/1161	CIRCLIP
15	MG-2/1133	SEAL
19	MG-2/1130	O-RING
20	SB-7.9	STEEL BALL 7.9mm
21	SB-5.6	STEEL BALL 5.6mm
23	MB-22-A/1130	O-RING
--	MG-2/1344	AXLE (NOT SHOWN)
--	MB-22-A/1286	CIRCLIP (NOT SHOWN)

Item	Part No.	Description
--	MGK/16	HANDLE SOCKET (NOT SHOWN)
--	YK50FM/03	RELEASE VALVE KNOB (NOT SHOWN)
--	MGK/22	ELBOW JOINT (NOT SHOWN)
--	ME-3001/1348	O-RING (NOT SHOWN)
--	MGK/25	PLUG, GAUGE ELBOW FITTING (NOT SHOWN)
--	MGK30/RK	REPAIR KIT (KY30 FROM 6/94) (NOT SHOWN)
--	CK-50-C17M	PISTON HEAD (NOT SHOWN)
--	112/OV	OVERLOAD VALVE ASSEMBLY (NOT SHOWN)
--	MGK30/UNIT-EX	MGK30/HYD UNIT-RECON (NOT SHOWN)
--	MG-15/1361	RING (NOT SHOWN)
--	MGH-30/1102	GUIDE (NOT SHOWN)
--	MGK30/05	O-RING (NOT SHOWN)

**PLEASE NOTE LIMITED SPARE PARTS AVAILABLE!**

**NOTE:** It is our policy to continually improve products and as such we reserve the right to alter data, specifications and component parts without prior notice.

**IMPORTANT:** No liability is accepted for incorrect use of product.

**WARRANTY:** Guarantee is 12 months from purchase date, proof of which will be required for any claim.