

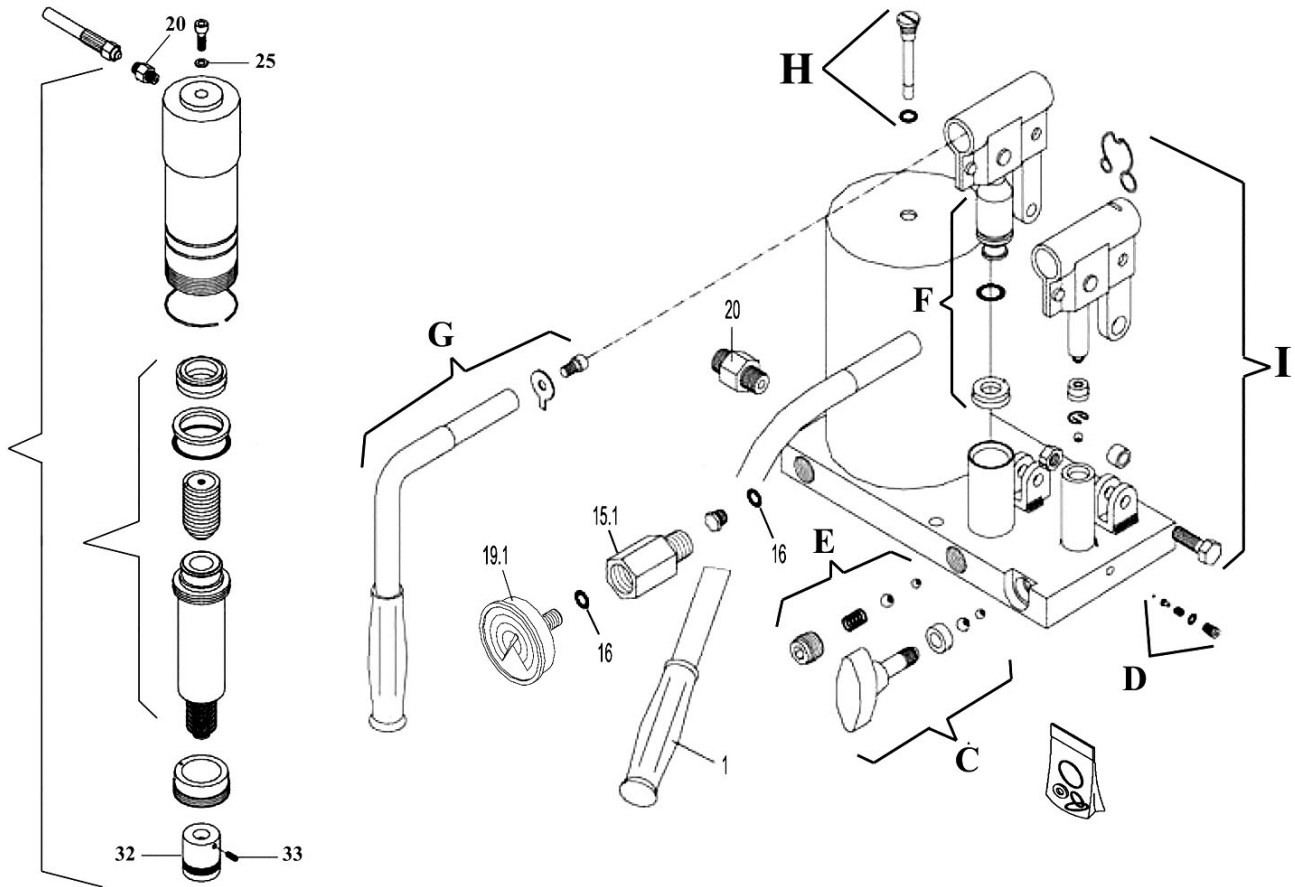
Item	Part No.	Description
1	KCK-30A-C1M	FRAME
2	KPD-50AM-C15	V-BLOCK
3	KCK-30AM-C44	TABLE
--	CSK-15-2038	PRESS PIN 3t (NOT SHOWN)
--	CSK-15-2039	PRESS PIN 8t (NOT SHOWN)
--	CSK-15-2040	PRESS PIN 12t (NOT SHOWN)
--	CSK-15-2041	PRESS PIN 14t (NOT SHOWN)

Item	Part No.	Description
--	CSK-15-2042	PRESS PIN 16t (NOT SHOWN)
--	CSK-15-2043	PRESS PIN 18t (NOT SHOWN)
--	CSK-15-2044	PRESS PIN 20t (NOT SHOWN)
4	KCK-30AM-C92	PIN, TABLE SUPPORT 250x24mm
10	KSCM-15-1381	PIPE
--	BKD-09	PUMP (CURRENT VERSION) (NOT SHOWN)

NOTE: It is our policy to continually improve products and as such we reserve the right to alter data, specifications and component parts without prior notice.

IMPORTANT: No liability is accepted for incorrect use of product.

WARRANTY: Guarantee is 12 months from purchase date, proof of which will be required for any claim.



Item	Part No.	Description
1	BK05-C21M	PUMPING HANDLE
15.1	A-5578	CONNECTOR
16	MB-22-A/1130	O-RING
19.1	A-5110	GAUGE 700kg/cm ² ,100mm OD, Back Fitting.
20	KCK-15-2121	CONNECTOR
25	NS-1/1530	WASHER
32	YK50FM/32	SADDLE
33	GSM812.S	GRUB SCREW M8x12 (SINGLE)
C	BM04-C11M	RELEASE KNOB ASS'Y
D	MG-2/C9	SAFETY VALVE
E	BKD-09-C10	PLUG ASS'Y
F	BKD-09-C36M	HANDLE SOCKET ASS'Y
G	BKD-09-C21M	PUMPING HANDLE
H	BKD09-C55M	PLUG
I	BK05-C7M	HANDLE SOCKET ASS'Y

Item	Part No.	Description
--	CMK-15/1383	SCREW (NOT SHOWN)
--	CMK-30L	RAM (NOT SHOWN)
--	ME-30001/1134	SEAL (NOT SHOWN)
--	CSK-30/1164	RING (NOT SHOWN)
--	CSK-30/1348	O-RING (NOT SHOWN)
--	CMK-30/1102	NUT (NOT SHOWN)
--	RCMK-30L	REPAIR KIT (NOT SHOWN)
--	CMK-30L-C14M	MAIN PISTON (NOT SHOWN)
--	ME-30001/1134	SEAL (NOT SHOWN)
--	CSK-30/1164	RING (NOT SHOWN)
--	CSK-30/1348	O-RING (NOT SHOWN)
--	CMK-30L/1240	SPRING (NOT SHOWN)
--	BK09-C55M	PLUG (NOT SHOWN)
--	MGK/25	PLUG, GAUGE ELBOW FITTING (NOT SHOWN)
--	BKD-09-FK	SET OF NUTS AND BOLTS TO FIT BKD-09 TO O (NOT SHOWN)

PLEASE NOTE LIMITED SPARE PARTS AVAILABLE!

NOTE: It is our policy to continually improve products and as such we reserve the right to alter data, specifications and component parts without prior notice.

IMPORTANT: No liability is accepted for incorrect use of product.

WARRANTY: Guarantee is 12 months from purchase date, proof of which will be required for any claim.