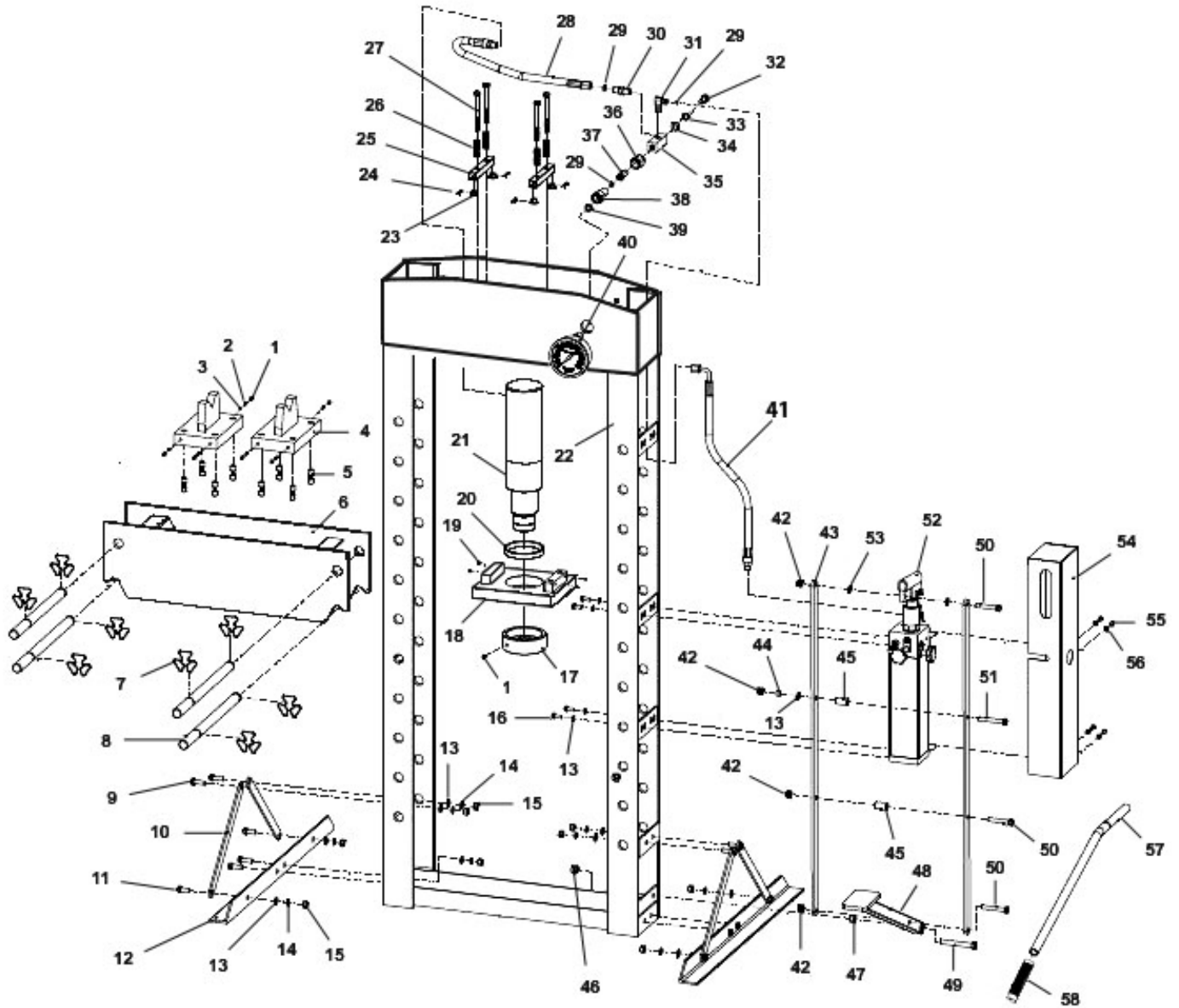




Parts Information:
Hydraulic Press Premier 30tonne Floor
Type with Foot Pedal
Model No: YK30FFP



NOTE: It is our policy to continually improve products and as such we reserve the right to alter data, specifications and component parts without prior notice.

IMPORTANT: No liability is accepted for incorrect use of product.

WARRANTY: Guarantee is 12 months from purchase date, proof of which will be required for any claim.

Sealey Group, Kempson Way, Suffolk Business Park, Bury St Edmunds, Suffolk. IP32 7AR



01284 757500



01284 703534



sales@sealey.co.uk



www.sealey.co.uk



Parts Information:
**Hydraulic Press Premier 30tonne Floor
Type with Foot Pedal
Model No: YK30FFP**

Item	Part No.	Description
1	GSM810.S	GRUB SCREW M8x10 (SINGLE)
2	YK50FFP.02	SPRING
3	SB-5.6	STEEL BALL 5.6mm
4	YK30F.V2-12	V-BLOCK
5	YK30FFP.05	SCREW
6	YK30FFP.06	BED FRAME
7	YK759FAH.13	RETAINING CLIP
8	YK30F.V2-09	PIN, TABLE SUPPORT 300x25mm
9	YK30FFP.09	SCREW
10	YK30FFP.10	SUPPORT
11	YK30FFP.11	SCREW
12	YK30FFP.12	BASE SECTION
13	YK30FFP.13	WASHER
14	YK30FFP.14	LOCK WASHER
15	YK30FFP.15	NUT
16	YK30FFP.16	SCREW
17	YK30FFP.17	RAM NUT
18	YK30FFP.18	RAM PLATE
19	YK30FFP.19	SCREW
20	YK30FFP.20	UPPER NUT
21	YK30FFP.21	RAM
22	YK30FFP.22	FRAME
23	YK30FFP.23	SLIDE BLOCK
24	YK30FFP.24	R-PIN
25	YK30FFP.25	CONNECTING PLATE
26	YK50FFP.49	SPRING
27	HHB10120.S	HEX HEAD BOLT M10x120mm SINGLE
28	YK30FFP.28	OIL HOSE (RAM)
29	YK50FFP.51	O-RING

Item	Part No.	Description
30	YK50FFP.62	JOINT
31	YK50FFP.45	ELBOW FITTING
32	SS1230.S	HEX HEAD SET SCREW M12x30mm SINGLE
33	YK30FFP.33	LOCK WASHER
34	YK30FFP.34	WASHER
35	YK30FFP.35	UNION SEAT
36	YK50FFP.56	UNION NUT
37	YK50FFP.57	UNION SCREW
38	YK509FAH.43	GAUGE FITTING
39	YK759FAH.61	NYLON RING
40	YK30FFP.40	PRESSURE GAUGE
41	YK30FFP.41	OIL HOSE (PUMP)
42	YK30FFP.42	NUT
43	YK50FFP.68	SUPPORT
44	YK50FFP.69	BUSHING
45	YK50FFP.70	BUSHING
46	YK30FFP.46	NUT
47	YK30FFP.47	NUT
48	YK50FFP.75	FOOT PEDAL
49	YK30FFP.49	SCREW
50	YK30FFP.50	SCREW
51	YK30FFP.51	SCREW
52	YK30FFP.52	PUMP
53	YK50FFP.80	BUSHING
54	YK30FFP.54	PROTECTIVE HOUSING FOR PUMP
55	YK30FFP.55	SCREW
56	YK30FFP.56	WASHER
57	YK50FFP.85	HANDLE
58	YK50FFP.86	HANDLE GRIP

NOTE: It is our policy to continually improve products and as such we reserve the right to alter data, specifications and component parts without prior notice.

IMPORTANT: No liability is accepted for incorrect use of product.

WARRANTY: Guarantee is 12 months from purchase date, proof of which will be required for any claim.

Sealey Group, Kempson Way, Suffolk Business Park, Bury St Edmunds, Suffolk. IP32 7AR



01284 757500



01284 703534



sales@sealey.co.uk



www.sealey.co.uk