

Issue: 1
 Issue Date: 210508

ITEM	PART NO	DESCRIPTION	ITEM	PART NO	DESCRIPTION
45	KCM-30/1237-T	FRAME	66	KPM-30/1367	AXLE
46	KCM-30/1464	CYLINDER SUPPORT	67	KPM-30/2206	BUSHING
47	KCM-50/1959	AXLE	68	KPM-30/1264	AXLE
48	KCK-50/C46	PULLEY	69	KPM-30/1670	AXLE
49	KPM-30/1957	WORM GEAR SHAFT	70	KC-50/1947	WIRE
50	KCK-50/1255	WASHER	71	KCM-50/1542	PULLEY
51	YK50FM/51	COVER	72	KPM-30/1815	BUSHING
52	AP-100/1553	WASHER	73	YK50FM/73	CROSS SECTION
53	MB-22-B/1405	NUT	74	KCK-30A/C15	V BLOCK
54	KPM-30/2133	BUSHING	75	KP-30/1948-A	SCREW
55	KPM-30/1296-I	UPRIGHT	76	YK50FM/76	FOOT
56	KCM-30/1237-D	FRAME	77	KMM-15/1366	CLIP
57	KPM-30/1197	AXLE	78	KPM-30/1365	AXLE
58	KMM-30/2149	WASHER	81	KPM-30/1296-D	UPRIGHT
59	TJM-2/1540	NUT	82	EF-1.5/1315	BOLT
60	KCK-50/1962	WINDING HANDLE	83	ME-1002/1114	NUT
61	KPM-30/1370-S	BUSHING	84	KPM-30/1684	PLATE, TOP PULLEY
62	KPM-30/1334	CROSS SECTION	85	KCM-30/1197-D	AXLE
63	KPM-30/1367-S	AXLE		RKP-30A	REPAIR KIT (not shown)
64	KCM-50/1948	SCREW			
65	EH-10/1639	NUT			

NOTE: It is our policy to continually improve products and as such we reserve the right to alter data, specifications and component parts without prior notice.

IMPORTANT: No liability is accepted for incorrect use of product.

WARRANTY: Guarantee is 12 months from purchase date, proof of which will be required for any claim.

INFORMATION: For a copy of our latest catalogue and promotions call us on 01284 757525 and leave your full name and address, including postcode.

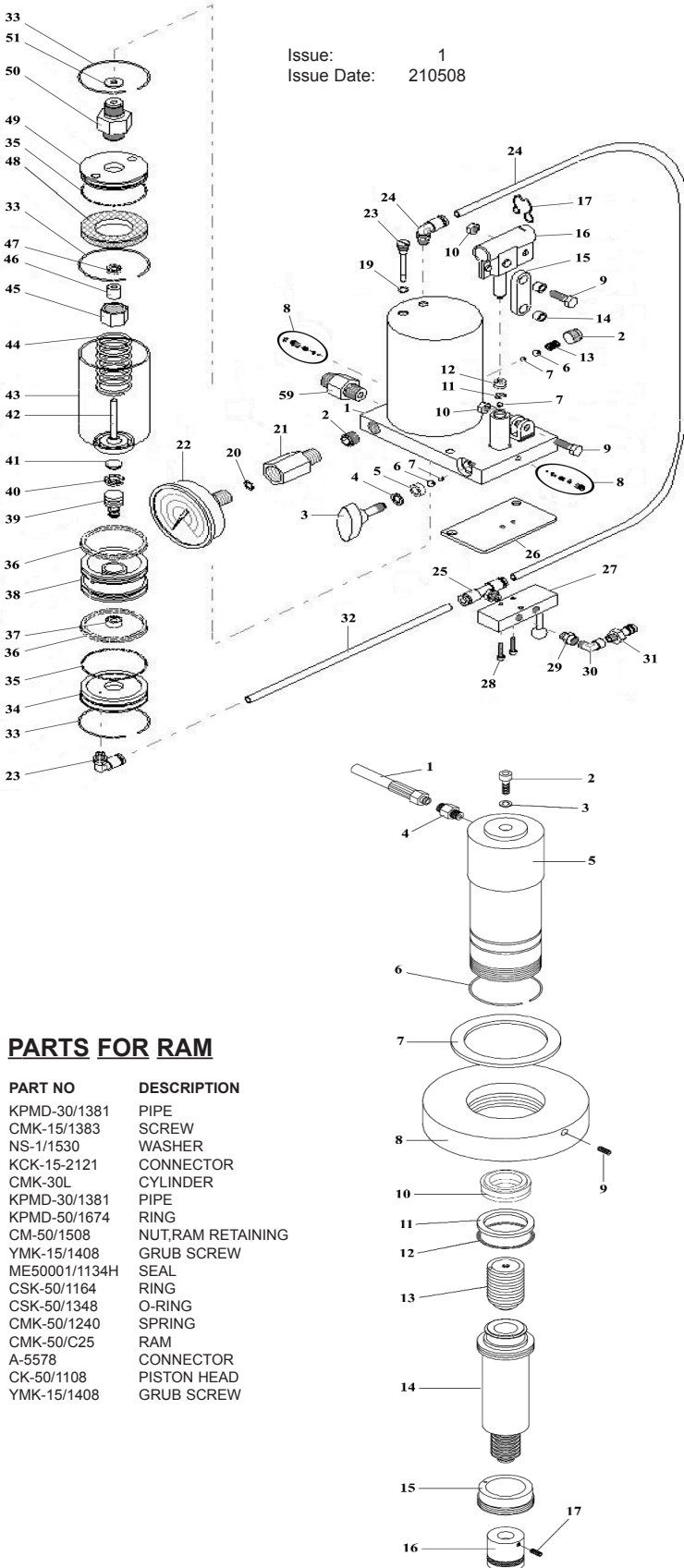
PARTS FOR PUMP

Issue: 1
 Issue Date: 210508

ITEM	PART NO	DESCRIPTION
2	Y-2/1160	SCREW
3	BM-04/1125	RELEASE VALVE KNOB
4	BKN-05/1128	WASHER
5	BKN-05/1130	O-RING
6	ME-1501/1212	LARGE STEEL BALL (7.7mm)
7	ME-1501/1149	SMALL STEEL BALL (5.4mm)
8	MG-2/C9	SAFETY VALVE
9	KC-15/1309	SCREW
10	EF-1,5/1318	NUT
11	MG-2/1161	CIRCLIP
12	MG-2/1133	SEAL
13	ME-1501/1162	SPRING
14	BKN-07/1475	BUSHING
14	BKN-09/C55	PLUG
15	BKN-07/1111	ARM LINK
16	BM-04/C7	HANDLE SOCKET
17	BK-1/1282	CLIP
18	BKN-09/C55	PLUG
19	MB-22-A/1289	O-RING
20	MB-22-A/1130	O-RING
21	A-5578	CONNECTOR
22	A-5110	GAUGE WITH REAR FITTING
23	YK50FAH/P-23	ELBOW
24	YK50FAH.P-24	PIPE
25	YK50FAH.P-25	CONNECTOR "T"
26	BKN-05/1305	VALVE SUPPORT PLATE
27	YK50FAH/P-27	VALVE
28	BKN-05/1481	SCREW
29	YK50FAH.P-29	CONNECTOR
30	YK50FAH.P-30	ELBOW
31	YK50FAH.P-31	CONNECTOR
32	YK50FAH/P-32	PIPE
33	MG-25/1361	RING
34	MGN-20/1599	LID
35	NS-2/1600	O-RING
36	NS-2/1612	O-RING
37	NS-1/1614	SEAL
38	NS-1/1610	PISTON
39	MGN-20/1615	AIR EXCHANGE
40	MGN-20/1613	SEAL
41	NS-2/1616	PLUG
42	MGN-20/C8	PUMP ROD
43	MGN-20/1609	PUMP CYLINDER
44	MGN-20/1241	SPRING
45	MGN20/1114	PISTON GUIDE
46	MGN-20/1143	PISTON GUIDE
47	C-212/1133	SEAL
48	MGN-20/1153	FILTER
49	MGN-20/2191	UPPER LID
50	MGN-20/1655	CONNECTOR
51	NS-1/1119	SEAL
59	KCK-15-2121	CONNECTOR
	RBKN-09	REPAIR KIT (not shown)

PARTS FOR RAM

ITEM	PART NO	DESCRIPTION
1	KPMD-30/1381	PIPE
2	CMK-15/1383	SCREW
3	NS-1/1530	WASHER
4	KCK-15-2121	CONNECTOR
5	CMK-30L	CYLINDER
6	KPMD-30/1381	PIPE
7	KPMD-50/1674	RING
8	CM-50/1508	NUT, RAM RETAINING
9	YMK-15/1408	GRUB SCREW
10	ME50001/1134H	SEAL
11	CSK-50/1164	RING
12	CSK-50/1348	O-RING
13	CMK-50/1240	SPRING
14	CMK-50/C25	RAM
15	A-5578	CONNECTOR
16	CK-50/1108	PISTON HEAD
17	YMK-15/1408	GRUB SCREW



NOTE: It is our policy to continually improve products and as such we reserve the right to alter data, specifications and component parts without prior notice.

IMPORTANT: No liability is accepted for incorrect use of product.

WARRANTY: Guarantee is 12 months from purchase date, proof of which will be required for any claim.

INFORMATION: For a copy of our latest catalogue and promotions call us on 01284 757525 and leave your full name and address, including postcode.