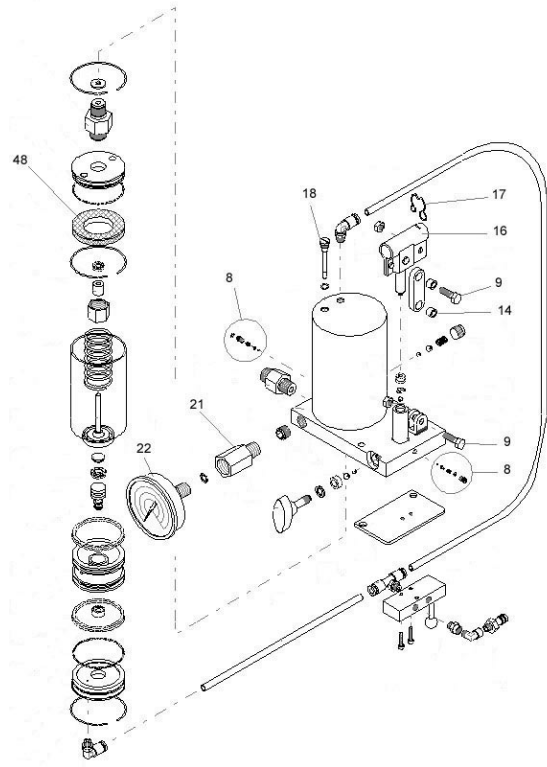
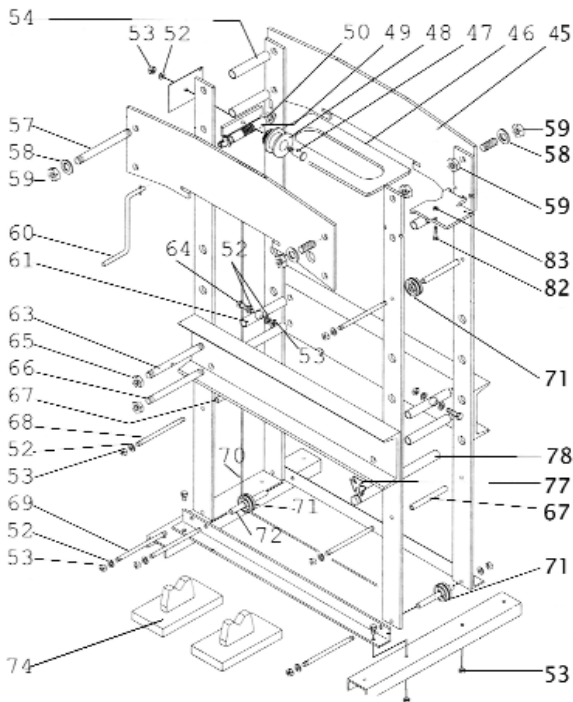


PARTS LIST AND DIAGRAM FOR:
AIR HYDRAULIC FLOOR PRESS

Model: **YK30FAH**

Issue: 1
Date: 190903



Hydraulic unit

Item	Part No.	Description
8	MG-2/C9	Safety valve
9	KC-15/1309	Screw
14	BKN-07/1475	Bushing
16	BM-04/C7	Handle socket
17	BK-1/1282	Clip
18	BKN-09/C55	Plug
21	A-5578	Connector
22	A-5110	Press gauge
48	MGN-20/1153	Filter
52	RBKN-09	Repair kit

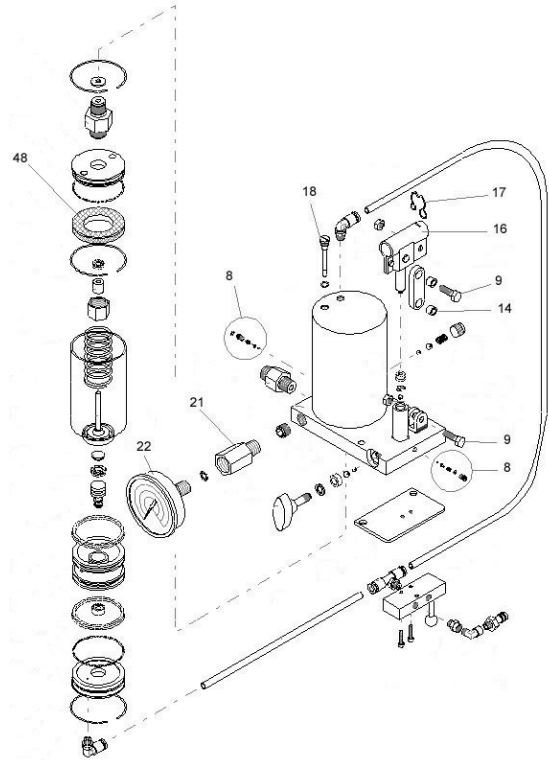
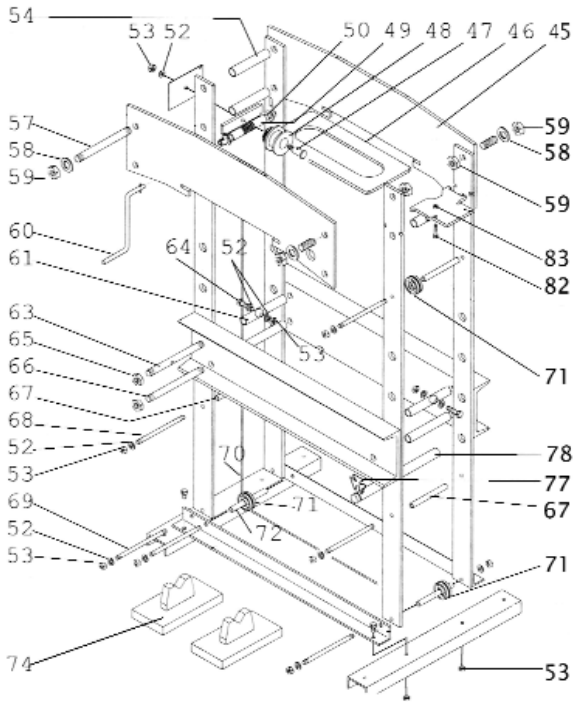
Main body

Item	Part No.	Description
46	KCM-30/1464	Cyl. support
47	KCM-50/1959	Axle
48	KCM-50/C46	Pulley
49	KPM-30/1957	Worm g.shaft
50	KCK-50/1255	Washer
52	AP-100/1553	Washer
53	MB-22-B/1405	Nut
54	KPM-30/2133	Bushing
57	KPM-30/1197	Axle
58	KMM-30/2149	Washer
59	TJM-2/1540	Nut
60	KCK-50/1962	W.handle
61	KPM-30/1370-S	Bushing
63	KPM-30/1367-S	Axle
64	KCM-50/1948	Screw
65	EH-10/1639	Nut
66	KPM-30/1367	Axle
67	KPM-30/2206	Bushing
68	KPM-30/1264	Axle
69	KPM-30/1670	Axle
70	KC-50/1947	Wire
71	KCM-50/1542	Pulley
72	KPM-30/1333	Bushing
74	KCK-30A/C15	V block
77	KMM-15/1366	Clip
78	KPM-30/1365	Axle
82	EF-1,5/1315	Bolt
83	ME-1002/1114	Nut

PARTS LIST AND DIAGRAM FOR:
AIR HYDRAULIC FLOOR PRESS

Models: **YK50FAH**

Issue: 1
Date: 190903



Hydraulic unit

Item	Part No.	Description
8	MG-2/C9	Safety valve
9	KC-15/1309	Screw
14	BKN-07/1475	Bushing
16	BM-04/C7	Handle socket
17	BK-1/1282	Clip
18	BKN-09/C55	Plug
21	A-5578	Connector
22	A-5110	Press gauge
48	MGN-20/1153	Filter
52	RBKN-09	Repair kit

Main body

Item	Part No.	Description
46	KCM-50/1464	Cyl. support
47	KCM-50/1959	Axle
48	KCM-50/C46	Pulley
49	KPM-30/1957	Worm g.shaft
50	KCK-50/1255	Washer
52	AP-100/1553	Washer
53	MB-22-B/1405	Nut
54	KPM-30/2133	Bushing
57	KPM-30/1197	Axle
58	KMM-30/2149	Washer
59	TJM-2/1540	Nut
60	KCK-50/1962	W.handle
61	KPM-30/1370-S	Bushing
63	KPM-30/1367-S	Axle
64	KCM-50/1948	Screw
65	EH-10/1639	Nut
66	KPM-30/1367	Axle
67	KPM-30/2206	Bushing
68	KPM-30/1264	Axle
69	KPM-30/1670	Axle
70	KC-50/1947	Wire
71	KCM-50/1542	Pulley
72	KPM-30/1333	Bushing
74	KCK-50A/C15	V block
77	KMM-15/1366	Clip
78	KCM-50/1365	Axle
82	EF-1,5/1315	Bolt
83	ME-1002/1114	Nut