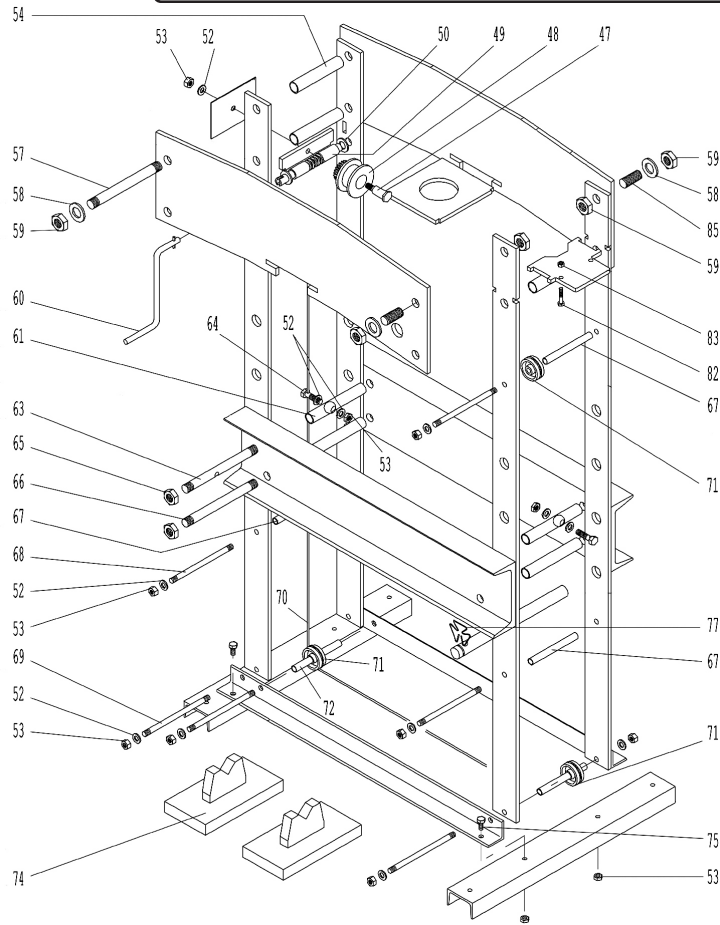


Parts Information: Air/Hydraulic Press 30tonne Floor Type with Foot Pedal Model No: YK30FAHFP



Item	Part No.	Description
--	BKN-09F	Foot/Hand Operated Pump Assembly (NOT SHOWN)
--	KPMD-30/1381	Pipe (NOT SHOWN)
--	KPM-30/1508	Nut (NOT SHOWN)
--	CMK-30L/1240	Spring (NOT SHOWN)
--	CK-50-C17M	Piston Head (NOT SHOWN)
--	KPMD-30/1674	Washer (NOT SHOWN)
47	KCM-50/1959	Axle
48	YK50FM/48	Pulley,Worm Gear
49	KPM-30/1957	Worm Gear Shaft
50	YK50FM/50	Washer
52	FWM12.S	Flat Washer M12 Single
53	SN12.S	Steel Nut M12 Zinc Din934(Single)
54	KPM-30/2133	Bushing
57	KPM-30/1197	Axle
58	YK50FM/58	Washer M22
59	TJM-2/1540	Nut
60	KCK-50/1962	Winding Handle
61	KPM-30/1370-S	Bushing

Item	Part No.	Description
63	KPM-30/1367-S	Axle
64	KCM-50/1948	Screw
65	SN20.S	Steel Nut M20 Zinc Din934(Single)
66	KPM-30/1367	Axle
67	KPM-30/2206	Bushing
68	KPM-30/1264	Axle
69	KPM-30/1670	Axle
70	KC-50/1947	Wire
71	KCM-50/1542	Pulley
72	KPM-30/1815	Bushing
74	KCK-30A/C15	V Block
75	KP-30/1948-A	Bolt
77	KMM-15/1366	Clip
--	KPM-30/1365	Axle (NOT SHOWN)
82	EF-1.5/1315	Bolt M8x40
83	ME-1002/1114	Nut
85	KCM-30/1197-D	Axle
--	KP-30A-1948	Cable Clamp (NOT SHOWN)

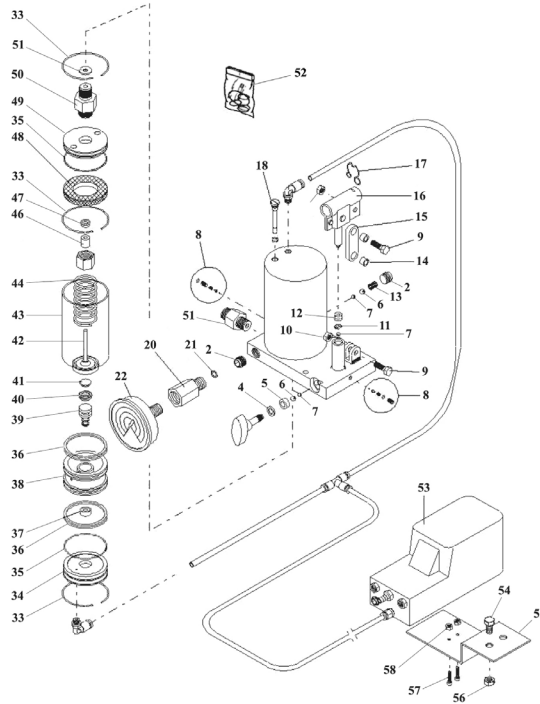
NOTE: It is our policy to continually improve products and as such we reserve the right to alter data, specifications and component parts without prior notice.

IMPORTANT: No liability is accepted for incorrect use of product.

WARRANTY: Guarantee is 12 months from purchase date, proof of which will be required for any claim.



Parts Information:
**Air/Hydraulic Press 30tonne Floor Type
 with Foot Pedal**
Model No: YK30FAHFP



Item	Part No.	Description
2	Y-2/1160	Screw
4	BKN-05/1128	Seal Ring
5	BKN-05/1130	O-Ring
6	SB-8.0	Steel Ball 8.0mm
7	SB-5.6	Steel Ball 5.6mm
8	MG-2/C9	Safety Valve
9	KC-15/1309	Screw
10	EF-1.5/1318	Nut
11	MG-2/1161	Circlip
12	MG-2/1133	Seal
13	ME-1501/1162	Spring
14	BKN-07/1475	Bushing
14	BKN-09/C55	Plug
15	BKN-07/1111	Arm Link
16	BM-04/C7	Handle Socket
17	BK-1/1282	Clip
18	BKN-09/C55	Plug
20	A-5578	Connector
21	MB-22-A/1130	O-Ring
22	A-5110	Gauge 700kg/cm ² ,100mm OD, Back Fitting.
--	MGN-20-C27	Pump Complete (NOT SHOWN)
--	BKN-09/23A	Elbow (Lower) (NOT SHOWN)
33	MG-25/1361	Ring
34	MGN-20/1599	Lid
35	NS-2/1600	O-Ring

Item	Part No.	Description
36	NS-2/1612	O-Ring
37	NS-1/1614	Seal
38	NS-1/1610	Piston
39	MGN-20/1615	Axle
40	MGN-20/1613	Seal
41	NS-2/1616	Plug
42	MGN-20/C8	Pump Rod
43	MGN-20/1609	Pump Cylinder
44	MGN-20/1241	Spring
--	MGN-20/1114	Piston Guide (NOT SHOWN)
46	MGN-20/1143	Piston Guide
47	C-212/1133	Seal
48	MGN-20/1153	Filter
49	MGN-20/2191	Upper Lid
50	MGN-20/1655	Connector
51	NS-1/1119	Seal
52	RBKN-09	Repair Kit
53	BKN-09/C39	Foot Pump/Pedal
54	KP-30/1948-A	Bolt
55	A-5553/1305	Valve Support Plate
56	SN12.S	Steel Nut M12 Zinc Din934(Single)
57	A-5553/1481	Screw
58	SN4.S	Steel Nut M4 Zinc Din934 (Single)
--	YK50FM/35	Handle,Pumping (NOT SHOWN)

NOTE: It is our policy to continually improve products and as such we reserve the right to alter data, specifications and component parts without prior notice.

IMPORTANT: No liability is accepted for incorrect use of product.

WARRANTY: Guarantee is 12 months from purchase date, proof of which will be required for any claim.

Sealey Group, Kempson Way, Suffolk Business Park, Bury St Edmunds, Suffolk. IP32 7AR



01284 757500



01284 703534



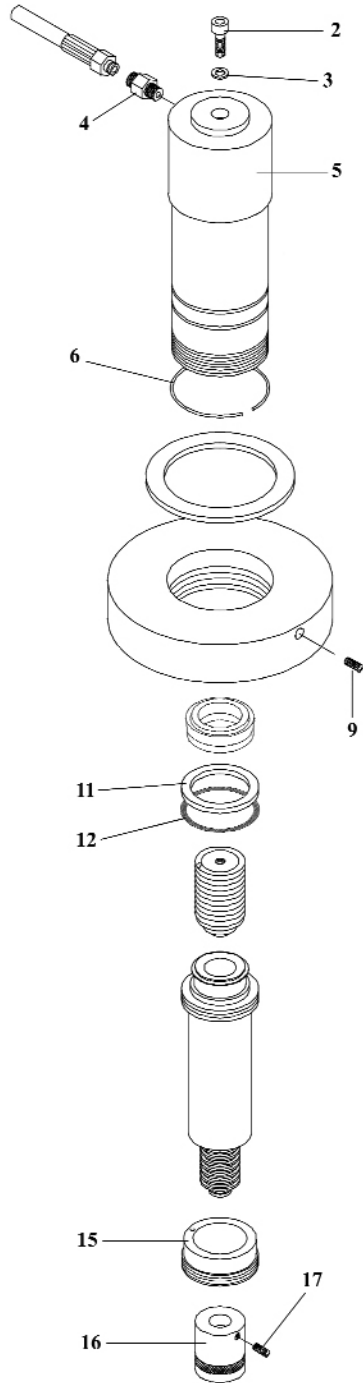
sales@sealey.co.uk



www.sealey.co.uk



Parts Information:
**Air/Hydraulic Press 30tonne Floor Type
 with Foot Pedal**
Model No: YK30FAHFP



Item	Part No.	Description
2	CMK-15/1383	Screw
3	NS-1/1530	Washer
4	KCK-15-2121	Connector
5 & 6	CMK-30L	Ram
9	GSM812.S	Grub Screw M8x12 (Single)
--	ME-30001/1134	Seal (NOT SHOWN)
11	CSK-30/1164	Ring

Item	Part No.	Description
12	CSK-30/1348	O-Ring
15	CMK-30/1102	Nut
16	YK50FM/32	Saddle
17	GSM812.S	Grub Screw M8x12 (Single)
--	RCMK-30L	Repair Kit (NOT SHOWN)
--	CMK-30L-C14M	Main Piston (NOT SHOWN)

NOTE: It is our policy to continually improve products and as such we reserve the right to alter data, specifications and component parts without prior notice.

IMPORTANT: No liability is accepted for incorrect use of product.

WARRANTY: Guarantee is 12 months from purchase date, proof of which will be required for any claim.

Sealey Group, Kempson Way, Suffolk Business Park, Bury St Edmunds, Suffolk. IP32 7AR



01284 757500



01284 703534



sales@sealey.co.uk



www.sealey.co.uk