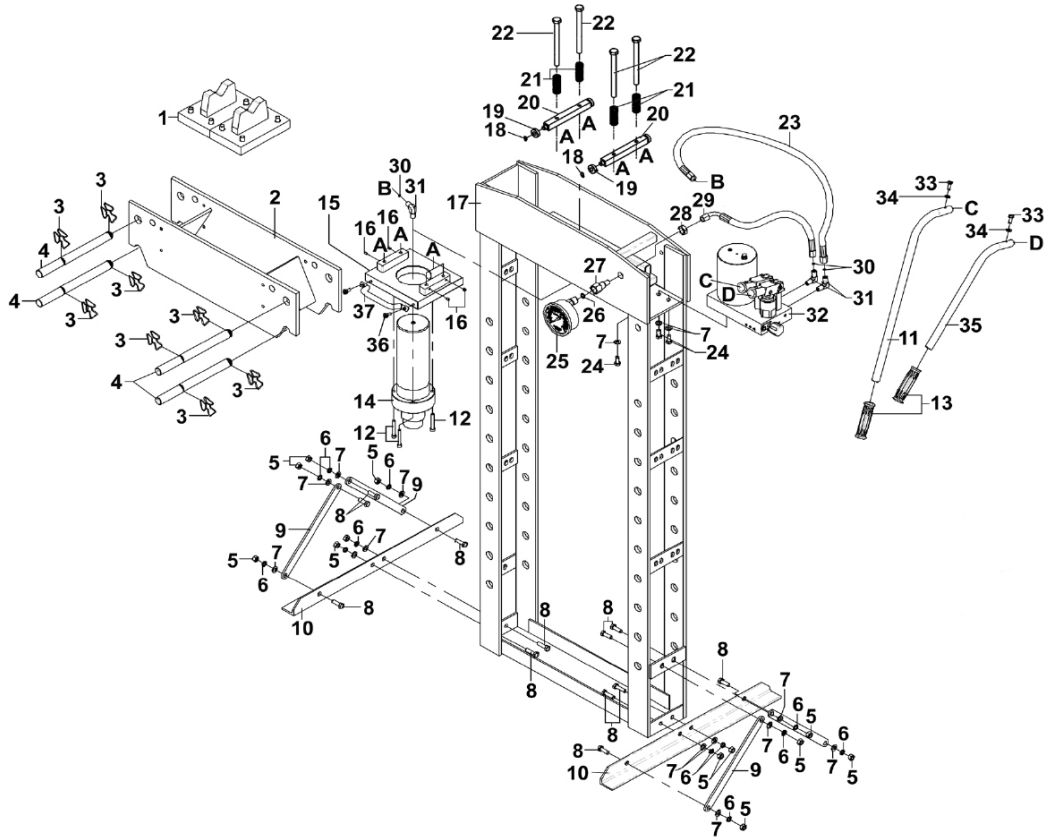


## Parts Information: Hydraulic Press 30 Tonne Floor Type Model No: YK30F.V3



Item	Part No.	Description	Qty
1	YK30F.V3-01	V-Block	2
2	YK30F.V3-02	Bed Frame	1
3	YK30F.V3-03	Retaining Clip	8
4	YK30F.V3-04	Pin, Table Support 300x25mm	4
5	SN10.S	Steel Nut M10 Zinc	12
6	SWM10.S	Spring Washer M10 Zinc	12
7	FWM10.S	Flat Washer M10 Zinc	15
8	SS1030.S	Hex Head Set Screw M10 X 30 Zinc	12
9	YK30F.V3-09	Support	4
10	YK30F.V3-10	Base Section	2
11	YK30F.V3-11	Handle (1)	1
12	YK30F.V3-12	Screw for Ram Ring	4
13	YK30F.V3-13	Handle Grip	2
14	YK30F.V3-14	Ram Assembly	1
15	YK30F.V3-15	Plate For Ram Assembly	1
16	GSM68.S	Grub Screw M6x8 (Single)	4
17	YK30F.V3-17	Frame	1
18	YK30F.V3-18	R-Pin	4
19	YK30F.V3-19	Sliding Block	4
20	YK30F.V3-20	Link Rod	2
21	YK30F.V3-21	Spring Dia 16.1mm	4

Item	Part No.	Description	Qty
22	HHB10120.S	Hex Head Bolt M10 x 120mm	4
23	YK30F.V3-23	Oil Hose (2)	1
24	SS1020.S	Hex Head Set Screw M10 X 20 Zinc	3
25	YK30F.V3-25	Gauge 1000Kgf/Cm2 28/50T 110mm Odv	1
26	YK30F.V3-26	Nylon Ring	1
27	YK30F.V3-27	Gauge Fitting	1
28	YK30F.V3-28	M20 X 1.5 Fine Pitch Half Nut	1
29	YK30F.V3-29	Oil Hose (1) Pump(F)> Gauge(F) W/ Elbow 540mm	1
30	AK458DX.V4-20	O-ring, (Ex: 8.84 In: 5.28 Cs: 1.78)	3
31	YK30F.V3-31	Elbow Fitting	3
32	YK30F.V3-32	Pump Assembly	1
33	SS820.S	Hex Head Set Screw M8 X 20 Zinc	2
34	FWM8.S	Flat Washer M8 Zinc	2
35	YK30F.V3-35	Handle	1
36	YK30F.V3-36	Screw for Carry Handle	1
37	YK30F.V3-37	Carry Handle	2
--	YK30F.V3-RK	Repair Kit For Ram (Not Shown)	1
--	YK30F.V3-14A	Saddle (Serrated) (Not Shown)	1

**NOTE:** It is our policy to continually improve products and as such we reserve the right to alter data, specifications and component parts without prior notice. There may be alternative versions of this product, please contact us should you require this information.

**IMPORTANT:** No liability is accepted for incorrect use of product. Spare parts must be fitted by a competent person

**WARRANTY:** Guarantee is 12 months from purchase date, proof of which will be required for any claim.