

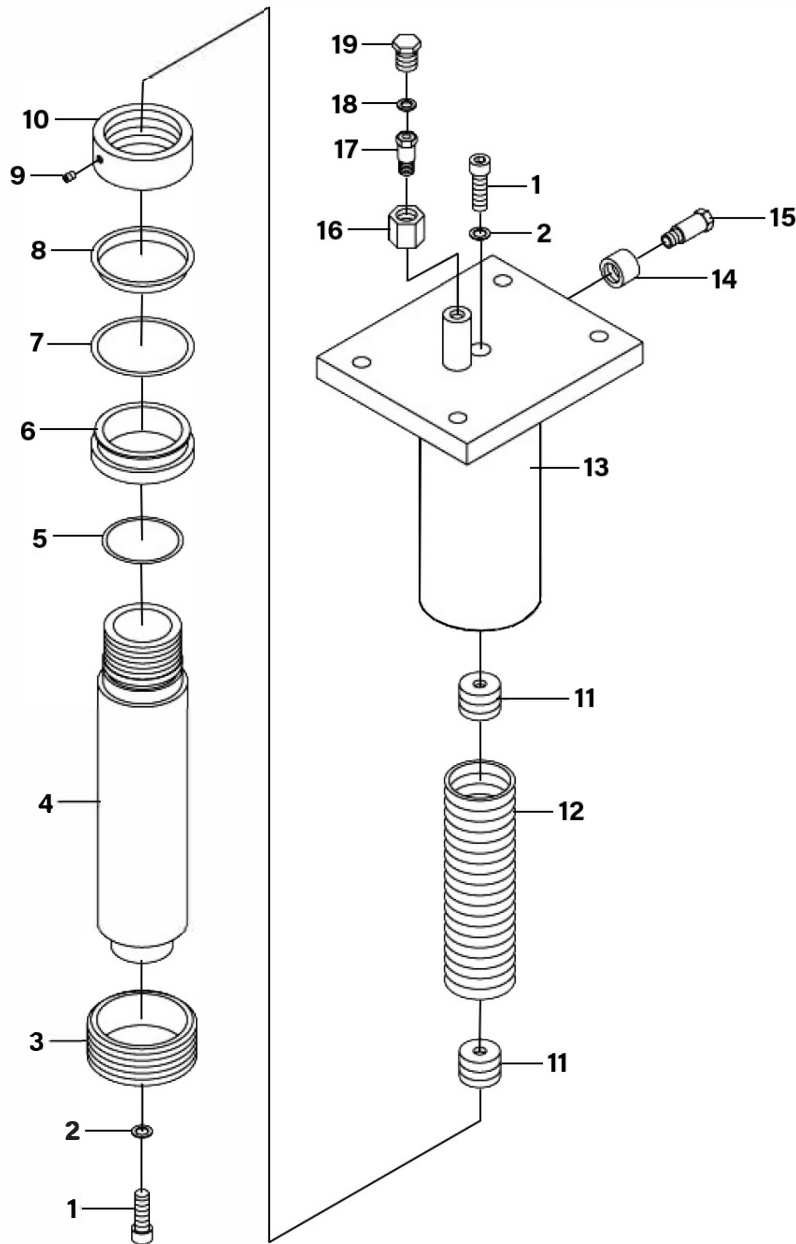
| Item | Part No.   | Description                                |
|------|------------|--|
| 1    | YK30F.01   | Base Leg                                   |
| 2    | YK30F.02   | Support                                    |
| 3    | YK30F.03   | Bolt M10x25                                |
| 4    | FWM10.S    | Flat Washer M10 Zinc                       |
| 5    | SWM10.S    | Spring Washer M10 Zinc                     |
| 6    | SN10.S     | Steel Nut M10 Zinc                         |
| 7    | SS1030.S   | Hex Head Set Screw M10 X 30 Zinc           |
| 8    | YK30F.08   | Base Cross Member                          |
| 9    | YK30F.09   | Post                                       |
| 10   | YK30F.10   | Frame Pin                                  |
| 11   | YK30F.11   | Press Bed                                  |
| 12   | YK20FV3-17 | V-Block (190x100x30)                       |
| 13   | YK30F.13   | Saddle, Serrated (M) Ø 48mm (Shaft Ø 22mm) |
| 14   | YK30F.14   | Screw M6x8                                 |

| Item | Part No.    | Description                      |
|------|-------------|----------------------------------|
| 15   | YK30F.15    | Ram Assy                         |
| 16   | YK30F.16    | Bolt M20x50                      |
| 17   | FWM20.S     | Washer 20mm                      |
| 18   | SWM20.S     | Spring Washer M20 Zinc           |
| 19   | SN20.S      | Steel Nut M20 Zinc               |
| 20   | YK30F.20    | Cross Beam, Upper                |
| 21   | SS1055.S    | Hex Head Set Screw M10 X 55 Zinc |
| 22   | YK759FAH.61 | Nylon Ring                       |
| 23   | YK30F.23    | Gauge 1000kgf/cm2 110mm          |
| 24   | YK30F.24    | Hydraulic Hose Assy              |
| 25   | YK30F.25    | Bolt M10x20                      |
| 26   | YK30F.26    | Pump Assy                        |
| 27   | YK30F.27    | Handle                           |

**NOTE:** It is our policy to continually improve products and as such we reserve the right to alter data, specifications and component parts without prior notice. There may be alternative versions of this product, please contact us should you require this information.

**IMPORTANT:** No liability is accepted for incorrect use of product. Spare parts must be fitted by a competent person

**WARRANTY:** Guarantee is 12 months from purchase date, proof of which will be required for any claim.



| Item | Part No.  | Description                            |
|------|-----------|--|
| 1    | YK30F.R01 | Skt. Hd Bolt M10x70                    |
| 2    | YK30F.R02 | Copper Washer                          |
| 3    | YK30F.R03 | Ram Ring                               |
| 4    | YK30F.R04 | Piston Rod                             |
| 5    | YK30F.R05 | O-Ring, (Ex: 63.80 In: 56.74 Cs: 3.53) |
| 6    | YK30F.R06 | Bushing                                |
| 7    | YK30F.R07 | Nylon Ring                             |
| 8    | YK30F.R08 | Sealing Ring                           |
| 9    | YK30F.R09 | Grub Screw                             |
| 10   | YK30F.R10 | Nut                                    |

| Item | Part No.  | Description   |
|------|-----------|---------------|
| 11   | YK30F.R11 | Threaded Bush |
| 12   | YK30F.R12 | Spring        |
| 13   | YK30F.R13 | Cylinder      |
| 14   | YK30F.R14 | Coupler Nut   |
| 15   | YK30F.R15 | Coupler       |
| 16   | YK30F.R16 | Coupler Nut   |
| 17   | YK30F.R17 | Gauge coupler |
| 18   | YK30F.R18 | Nylon ring    |
| 19   | YK30F.R19 | Screw         |

**NOTE:** It is our policy to continually improve products and as such we reserve the right to alter data, specifications and component parts without prior notice. There may be alternative versions of this product, please contact us should you require this information.

**IMPORTANT:** No liability is accepted for incorrect use of product. Spare parts must be fitted by a competent person

**WARRANTY:** Guarantee is 12 months from purchase date, proof of which will be required for any claim.