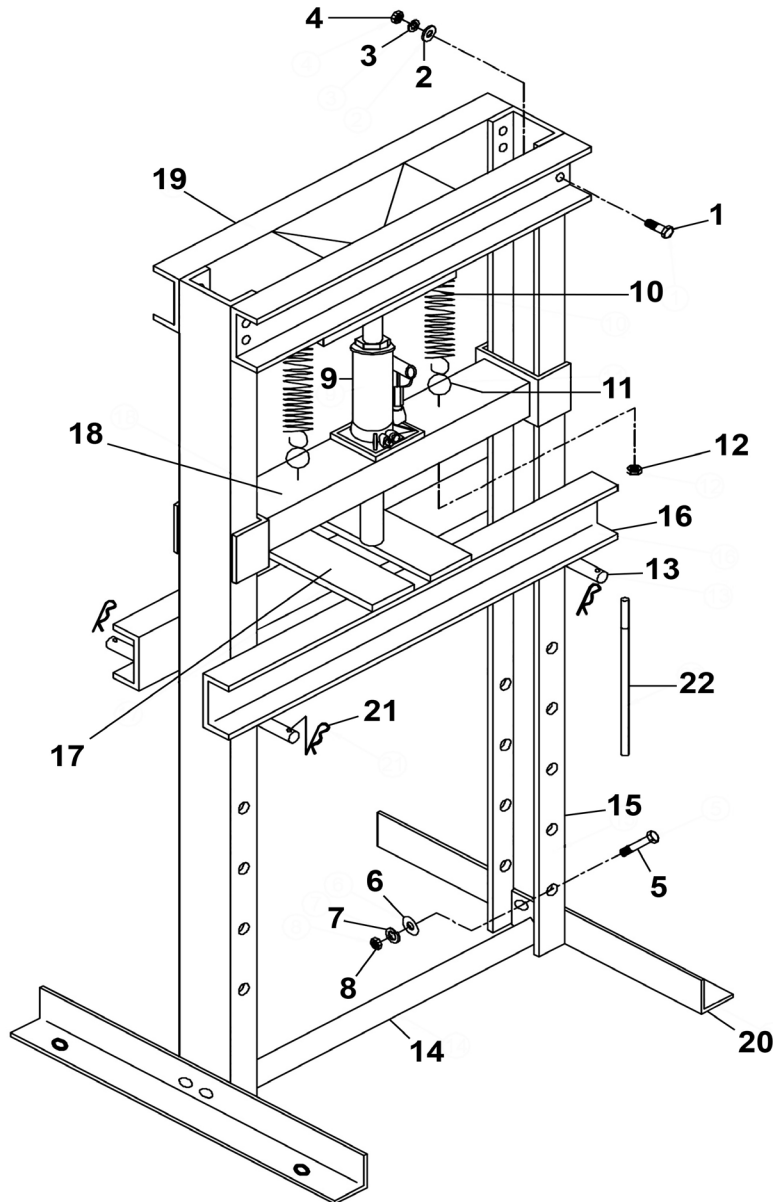


Parts Information:
**Hydraulic Press 30 Tonne Economy Floor
 Type**
Model No: YK30ECF



Item	Part No.	Description	Qty
1	SS1635.S	Hex Head Set Screw M16 X 35 Zinc	8
2	FWM16.S	Flat Washer M16 Zinc	8
3	SWM16.S	Spring Washer M16 Zinc	8
4	SN16.S	Steel Nut M16 Zinc	8
5	SS1235.S	Hex Head Set Screw M12 X 35 Zinc	4
6	FWM12.S	Flat Washer M12 Zinc	4
7	SWM12.S	Spring Washer M12 Zinc	4
8	SN12.S	Steel Nut M12 Zinc	4
9	YK30ECF-09	Hydraulic Unit	1
10	YK30ECF-10	Spring	2
11	YK30ECF-11	Hook Pin	2

Item	Part No.	Description	Qty
12	SN8.S	Steel Nut M8 Zinc	2
13	YK30ECF-13	Pin, Table Support Ø28 x 300	2
14	YK30ECF-14	Base Support	1
15	YK30ECF-15	Upright	2
16	YK30ECF-16	Table	1
17	YK30ECF-17	Arbor Plate	2
18	YK30ECF-18	Support Plate	1
19	YK30ECF-19	Upper Support	1
20	YK30ECF-20	Base Section	2
21	YK30ECF-21	Pin	4
22	YK30ECF-22	Handle	1

NOTE: It is our policy to continually improve products and as such we reserve the right to alter data, specifications and component parts without prior notice. There may be alternative versions of this product, please contact us should you require this information.

IMPORTANT: No liability is accepted for incorrect use of product. Spare parts must be fitted by a competent person

WARRANTY: Guarantee is 12 months from purchase date, proof of which will be required for any claim.