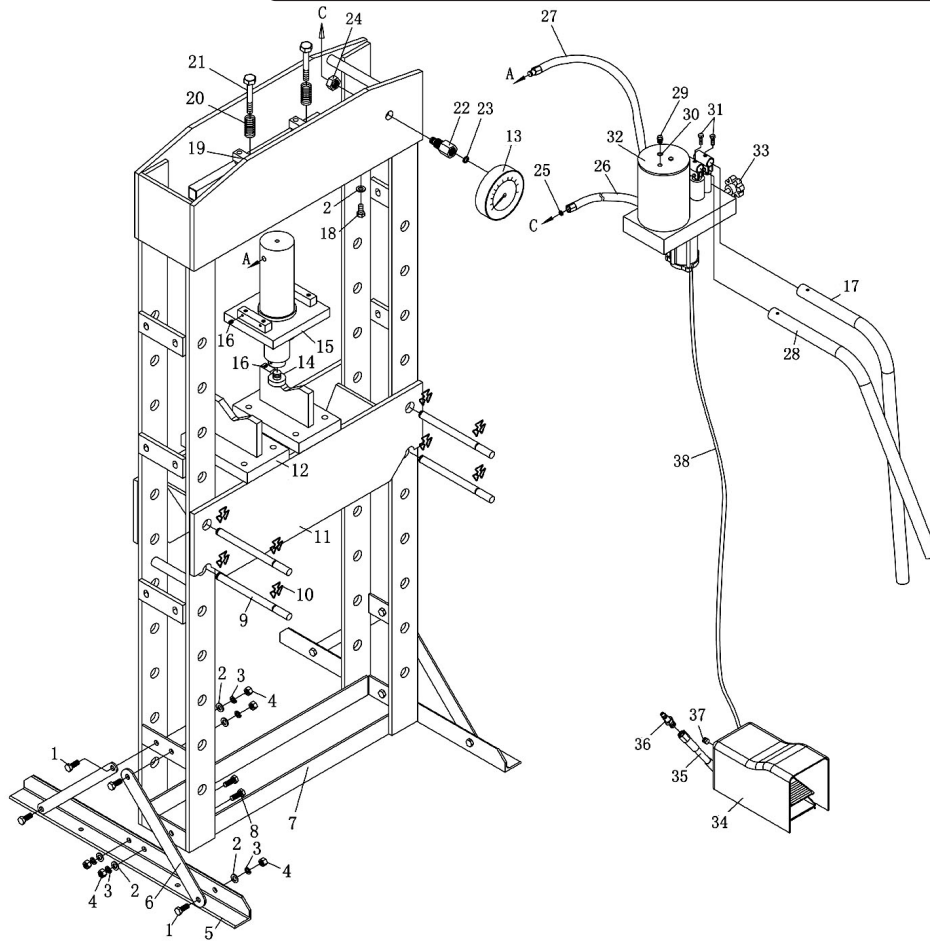


Parts Information: Air/Hydraulic Press 30tonne Floor Type with Foot Pedal Model No: YK309FAH



Item	Part No.	Description
1	SS1025.S	HEX HEAD SET SCREW M10x25mm SINGLE
2	FWM10.S	FLAT WASHER M10 SINGLE
3	SWM10.S	SPRING WASHER M10 ZINC (SINGLE)
4	SN10.S	STEEL NUT M10 ZINC DIN934(SINGLE)
5	YK309FAH.05	BASE SECTION
6	YK309FAH.06	SUPPORT
7	YK30F.V2-07	BASE
8	SS1030.S	HEX HEAD SET SCREW M10x30mm SINGLE
9	YK30F.V2-09	PIN, TABLE SUPPORT 300x25mm
10	YK309FAH.10	CIRCLIP
11	YK309FAH.11	BED FRAME
12	YK30F.V2-12	V-BLOCK
13	YK509F.41	PRESSURE GAUGE 1000kgf/cm2 back fitting
14	YK309FAH.14	SADDLE (SERRATED)
15	YK309FAH.15	RAM ASS'Y
16	GSM68.S	GRUB SCREW M6x8 (SINGLE)
17	YK759FAH.54	HANDLE
18	SS1020.S	HEX HEAD SET SCREW M10x20mm SINGLE
19	YK309FAH.19	LINK ROD

Item	Part No.	Description
20	YK309FAH.20	SPRING
21	HHB10120.S	HEX HEAD BOLT M10x120mm SINGLE
22	YK309FAH.22	GAUGE FITTING
23	YK759FAH.61	NYLON RING
24	YK309FAH.24	M20 X 1.5 FINE PITCH HALF NUT
25	YK309FAH.25	O-RING
26	YK309FAH.26	OIL HOSE (1)
27	YK309FAH.27	OIL HOSE (2)
28	YK759FAH.53	HANDLE (1)
29	YK509FAH.73	OIL FILLER NUT
30	YK759FAH.61	NYLON RING
31	SS820.S	HEX HEAD SET SCREW M8x20mm SINGLE
32	YK309FAH.32	PUMP ASS'Y
33	YK509FAH.50	RELEASE VALVE
34	YK309FAH.34	FOOT PEDAL
35	YK309FAH.35	AIR HOSE 16mm x 200mm
36	YK309FAH.36	QUICK COUPLER (MALE)
37	YK309FAH.37	SCREW
38	YK309FAH.38	AIR HOSE

NOTE: It is our policy to continually improve products and as such we reserve the right to alter data, specifications and component parts without prior notice.

IMPORTANT: No liability is accepted for incorrect use of product.

WARRANTY: Guarantee is 12 months from purchase date, proof of which will be required for any claim.