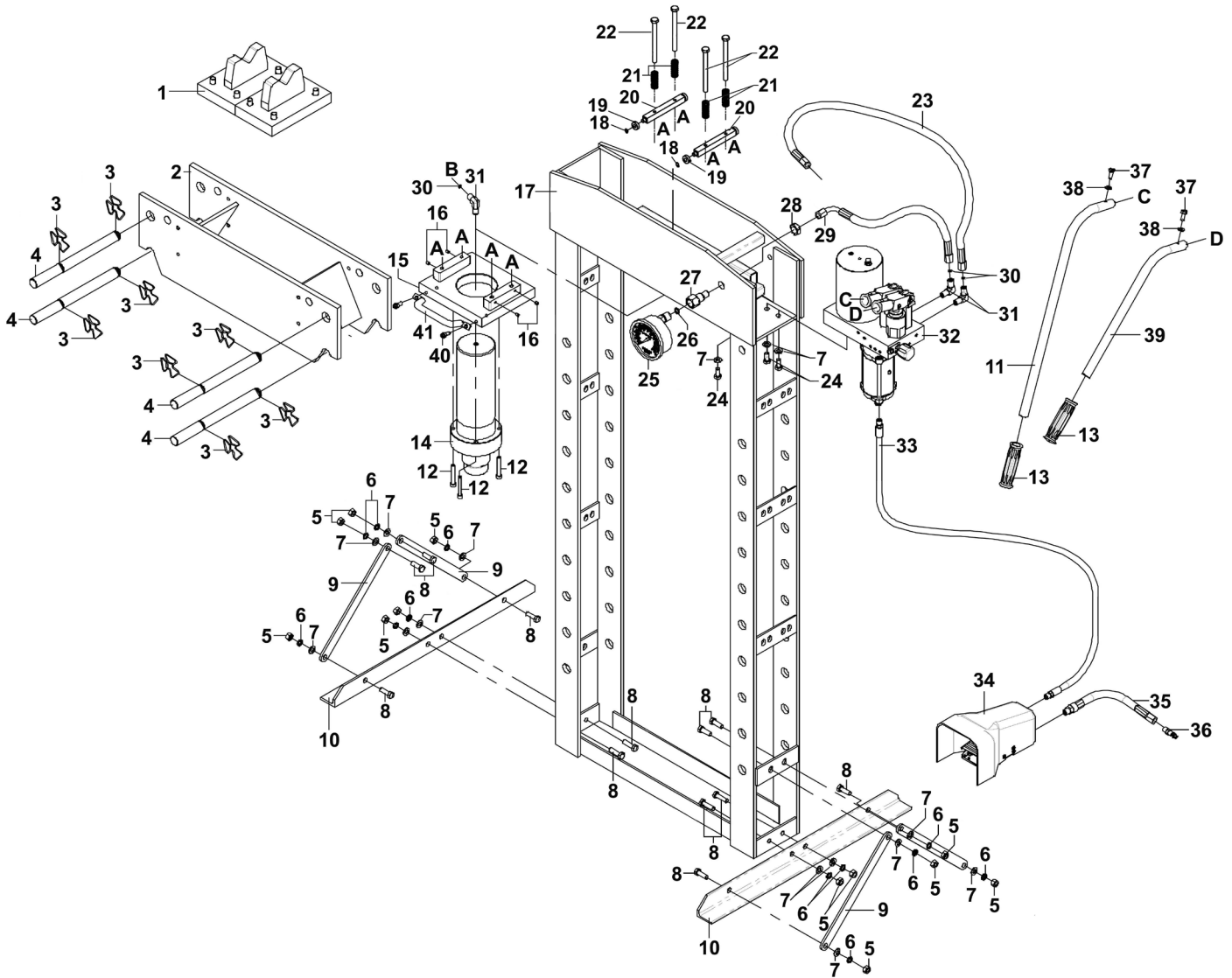




Parts Information:
Air/Hydraulic Press 30tonne Floor Type
with Foot Pedal
Model No: YK309FAH.V2



NOTE: It is our policy to continually improve products and as such we reserve the right to alter data, specifications and component parts without prior notice. There may be alternative versions of this product, please contact us should you require this information.

IMPORTANT: No liability is accepted for incorrect use of product. Spare parts must be fitted by a competent person

WARRANTY: Guarantee is 12 months from purchase date, proof of which will be required for any claim.

Sealey Group, Kempson Way, Suffolk Business Park, Bury St Edmunds, Suffolk. IP32 7AR



01284 757500



01284 703534



sales@sealey.co.uk



www.sealey.co.uk



Parts Information:
**Air/Hydraulic Press 30tonne Floor Type
with Foot Pedal**
Model No: YK309FAH.V2

Item	Part No.	Description
1	YK309FAH.V2-01	V-Block
2	YK309FAH.V2-02	Bed Frame
3	YK309FAH.V2-03	Circlip
4	YK309FAH.V2-04	Bed Frame Pin
5	SN10.S	Steel Nut M10 Zinc
6	SWM10.S	Spring Washer M10 Zinc
7	FWM10.S	Flat Washer M10 Zinc
8	SS1025.S	Hex Head Set Screw M10 X 25 Zinc
9	YK309FAH.V2-09	Support
10	YK309FAH.V2-10	Base Section
11	YK309FAH.V2-11	Handle
12	YK309FAH.V2-12	Bolt for Ram Ass'y
13	YK309FAH.V2-13	Handle Grip
14	YK309FAH.V2-14	Ram Ass'y
15	YK309FAH.V2-15	Upper Plate
16	GSM68.S	Grub Screw M6x8 (Single)
17	YK309FAH.V2-17	Frame
18	YK309FAH.V2-18	R-Pin
19	YK309FAH.V2-19	Roller
20	YK309FAH.V2-20	Link Rod
21	YK309FAH.V2-21	Spring Dia 16.8mm

Item	Part No.	Description
22	HHB10120.S	Hex Head Bolt M10 x 120mm
23	YK309FAH.V2-23	Oil Hose (2)
24	SS1020.S	Hex Head Set Screw M10 X 20 Zinc
25	YK309FAH.V2-25	Gauge1000Kg/Cm2 50T 110mm Od Btm Fit
26	YK309FAH.V2-26	Nylon Ring
27	YK309FAH.V2-27	Gauge Fitting
28	YK309FAH.V2-28	M20 X 1.5 Fine Pitch Half Nut
29	YK309FAH.V2-29	Oil Hose (1)
30	YK309FAH.V2-30	O-Ring For Elbow
31	YK309FAH.V2-31	Elbow For Ram/Pump Ass'y
32	YK309FAH.V2-32	Pump Ass'Y
33	YK309FAH.V2-33	Air Hose
34	YK309FAH.V2-34	Foot Pedal
35	YK309FAH.V2-35	Air Hose 16mm x 200mm
36	YK309FAH.V2-36	Quick Coupler (Male)
37	SS820.S	Hex Head Set Screw M8 X 20 Zinc
38	FWM8.S	Flat Washer M8 Zinc
39	YK309FAH.V2-39	Handle
40	YK309FAH.V2-40	Carry Handle
41	YK309FAH.V2-41	Screw For Carry Handle

NOTE: It is our policy to continually improve products and as such we reserve the right to alter data, specifications and component parts without prior notice. There may be alternative versions of this product, please contact us should you require this information.

IMPORTANT: No liability is accepted for incorrect use of product. Spare parts must be fitted by a competent person

WARRANTY: Guarantee is 12 months from purchase date, proof of which will be required for any claim.

Sealey Group, Kempson Way, Suffolk Business Park, Bury St Edmunds, Suffolk. IP32 7AR



01284 757500



01284 703534



sales@sealey.co.uk



www.sealey.co.uk