

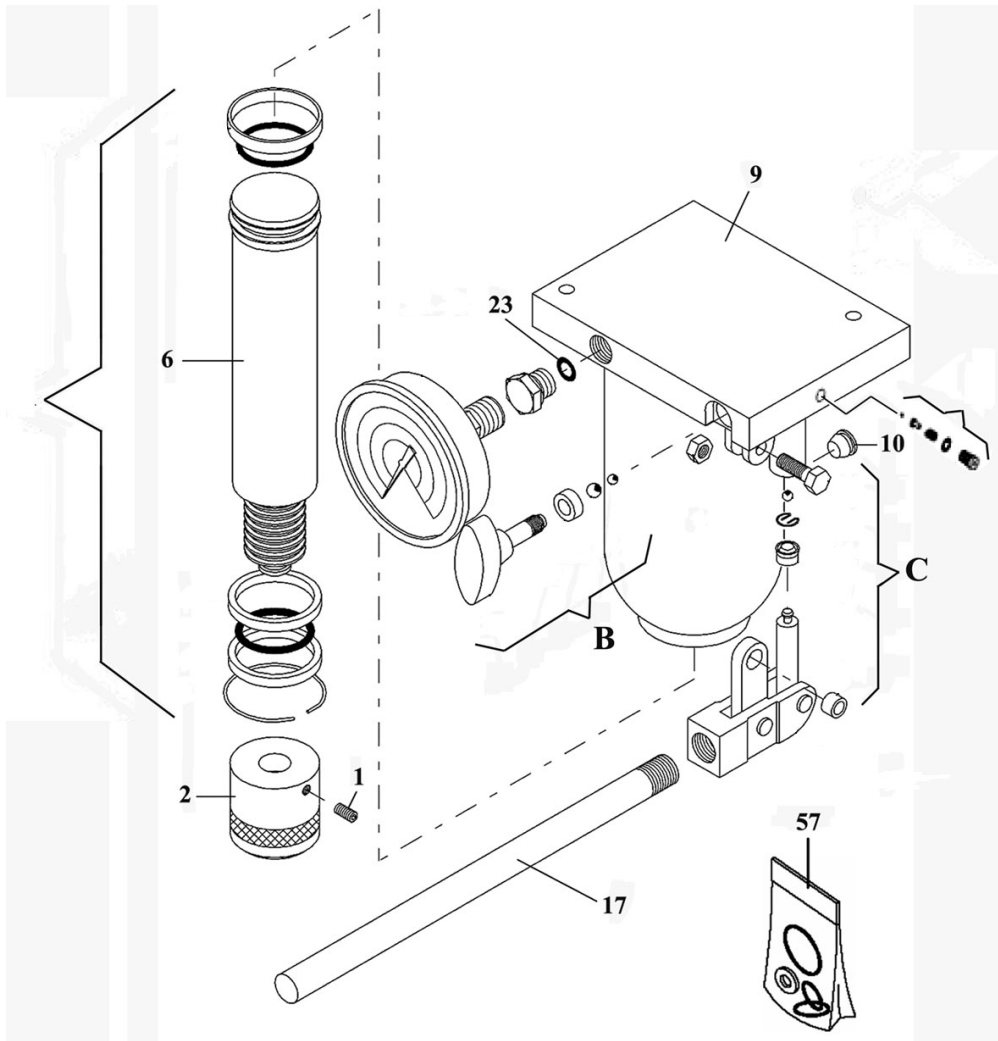
Item	Part No.	Description
1	KMG-15A-C1M	FRAME ASSY
2	KCK-15AM-C15	V-BLOCK
3	KCK-15AM-C44	TABLE
--	CSK-15-2038	PRESS PIN 3t (NOT SHOWN)
--	CSK-15-2039	PRESS PIN 8t (NOT SHOWN)
--	CSK-15-2040	PRESS PIN 12t (NOT SHOWN)

Item	Part No.	Description
--	CSK-15-2041	PRESS PIN 14t (NOT SHOWN)
--	CSK-15-2042	PRESS PIN 16t (NOT SHOWN)
--	CSK-15-2043	PRESS PIN 18t (NOT SHOWN)
--	CSK-15-2044	PRESS PIN 20t (NOT SHOWN)
4	KCK-15AM-C92	PIN, TABLE SUPPORT 200x20mm
5	KMG-15A-C81	BASE PLATE ASSY

**NOTE:** It is our policy to continually improve products and as such we reserve the right to alter data, specifications and component parts without prior notice.

**IMPORTANT:** No liability is accepted for incorrect use of product.

**WARRANTY:** Guarantee is 12 months from purchase date, proof of which will be required for any claim.



Item	Part No.	Description
1	GSM610.S	GRUB SCREW M6x10 (SINGLE)
2	YK15/1108	PISTON HEAD
6 (A)	MGK15-C14M	MAIN PISTON ASS'Y
9	MGK15/UNIT	MGK15/HYD UNIT HYD. UNIT W/O GAUGE & HAN
10	ME-12001/1139	FILLER PLUG
17	BM-3-C21M	PUMPING HANDLE
23	MB-22-A/1130	O-RING
57	RKMG-15	REPAIR KIT
B	BM04-C11M	RELEASE KNOB ASS'Y
C	MGK15-C7M	HANDLE SOCKET ASS'Y
--	YK15/1408	GRUB SCREW (NOT SHOWN)
--	MB-22-A/1286	CIRCLIP (NOT SHOWN)

Item	Part No.	Description
--	BM-3-C21M	PUMPING HANDLE (NOT SHOWN)
--	MG-2/1344	AXLE (NOT SHOWN)
--	SB-5.6	STEEL BALL 5.6mm (NOT SHOWN)
--	MGK/22	ELBOW JOINT (NOT SHOWN)
--	ME-3001/1348	O-RING (NOT SHOWN)
--	MGK/25	PLUG, GAUGE ELBOW FITTING (NOT SHOWN)
--	MGK15-C17M	PISTON HEAD (NOT SHOWN)
--	YK15.G	GAUGE 700k/cm2, 100mm OD, BACK FITTING (NOT SHOWN)
--	YK15/30/G	GAUGE 700kg/cm2, 100mm OD, Btm Fitt (NOT SHOWN)
--	112/OV	OVERLOAD VALVE ASSEMBLY (NOT SHOWN)
--	MGK15/UNIT-EX	MGK15/HYD UNIT-RECON HYDRAULIC UNIT - RE (NOT SHOWN)

**PLEASE NOTE LIMITED SPARE PARTS AVAILABLE!**

**NOTE:** It is our policy to continually improve products and as such we reserve the right to alter data, specifications and component parts without prior notice.

**IMPORTANT:** No liability is accepted for incorrect use of product.

**WARRANTY:** Guarantee is 12 months from purchase date, proof of which will be required for any claim.

Sealey Group, Kempson Way, Suffolk Business Park, Bury St Edmunds, Suffolk. IP32 7AR



01284 757500



01284 703534



sales@sealey.co.uk



www.sealey.co.uk