

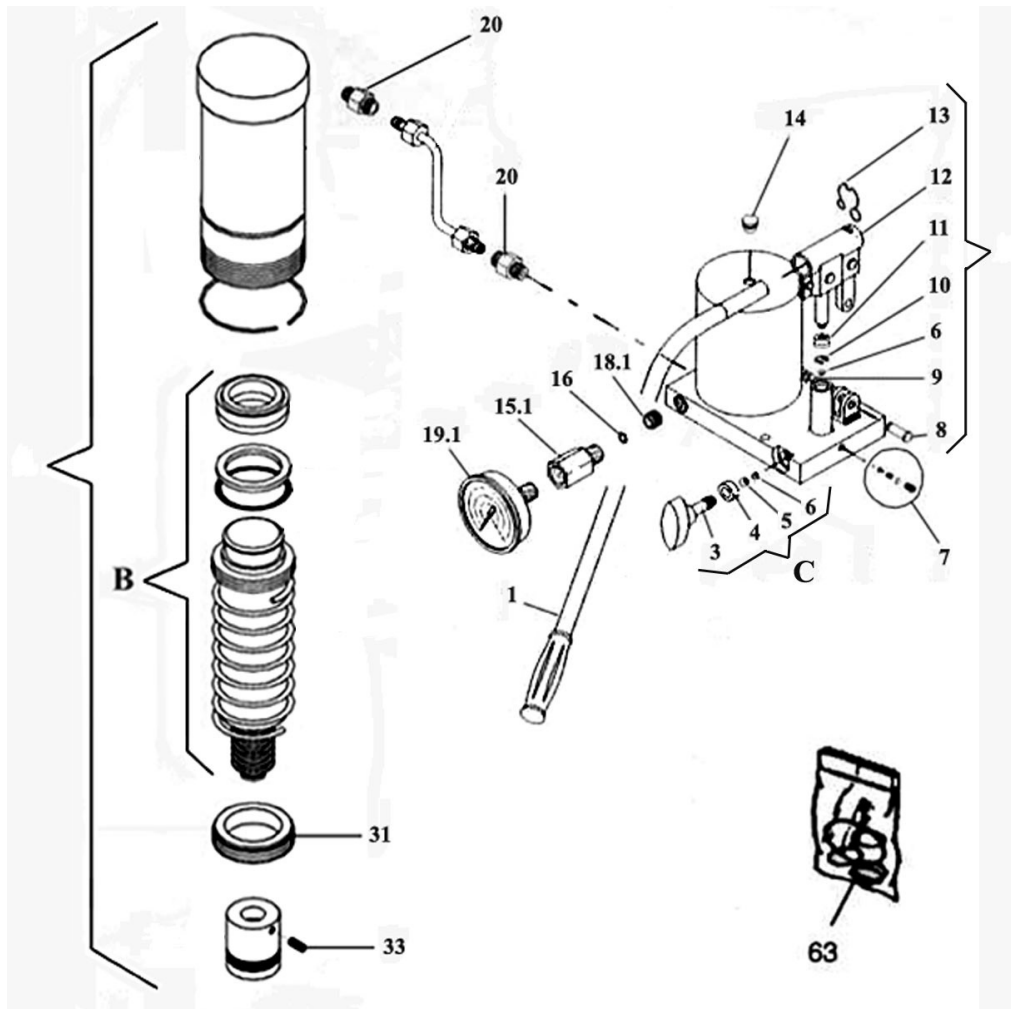
Item	Part No.	Description
1	KCK-15A-C1M	FRAME
2	KCK-15AM-C15	V-BLOCK
3	KCK-15AM-C44	TABLE
--	CSK-15-2038	PRESS PIN 3t (NOT SHOWN)
--	CSK-15-2039	PRESS PIN 8t (NOT SHOWN)
--	CSK-15-2040	PRESS PIN 12t (NOT SHOWN)
--	CSK-15-2041	PRESS PIN 14t (NOT SHOWN)

Item	Part No.	Description
--	CSK-15-2042	PRESS PIN 16t (NOT SHOWN)
--	CSK-15-2043	PRESS PIN 18t (NOT SHOWN)
--	CSK-15-2044	PRESS PIN 20t (NOT SHOWN)
4	KCK-15AM-C92	PIN, TABLE SUPPORT 200x20mm
8	CM-15-1508	CHECK NUT
10	KSCM-15-1381	PIPE
--	BK-05	HYDRAULIC UNIT(HAND PUMP) (NOT SHOWN)

**NOTE:** It is our policy to continually improve products and as such we reserve the right to alter data, specifications and component parts without prior notice.

**IMPORTANT:** No liability is accepted for incorrect use of product.

**WARRANTY:** Guarantee is 12 months from purchase date, proof of which will be required for any claim.



Item	Part No.	Description
1	BK05-C21M	PUMPING HANDLE
3	YK50FM/03	RELEASE VALVE KNOB
4	MG-2/1130	O-RING
5	SB-8.0	STEEL BALL 8.0mm
6	SB-5.6	STEEL BALL 5.6mm
7	MG-2/C9	SAFETY VALVE
8	MG-2/1344	AXLE
9	MB-22-A/1286	CIRCLIP
10	MG-2/1161	CIRCLIP
11	MG-2/1133	SEAL
12	BK05-C7M	HANDLE SOCKET ASS'Y
13	BK-1/1282	CLIP
14	BK05-C55M	PLUG
15.1	A-5578	CONNECTOR

Item	Part No.	Description
16	MB-22-A/1130	O-RING
18.1	Y-2/1160	SCREW
19.1	A-5110	GAUGE 700kg/cm <sup>2</sup> , 100mm OD, Back Fitting.
20	KCK-15-2121	CONNECTOR
31	YK15FM/31	NUT
33	GSM610.S	GRUB SCREW M6x10 (SINGLE)
63	RCMK-15	REPAIR KIT (for Ram)
--	RBKD-09	REPAIR KIT (for Hyd Unit)
B	CMK-15-C14M	MAIN PISTON
C	BM04-C11M	RELEASE KNOB ASS'Y
--	YK15FM/23	RING (NOT SHOWN)
--	MGK-15-C17M	PISTON HEAD (NOT SHOWN)
--	BM04-C11M	RELEASE KNOB ASS'Y (NOT SHOWN)
--	BK05-C80	CONNECTOR (NOT SHOWN)

**PLEASE NOTE LIMITED SPARE PARTS AVAILABLE!**

**NOTE:** It is our policy to continually improve products and as such we reserve the right to alter data, specifications and component parts without prior notice.

**IMPORTANT:** No liability is accepted for incorrect use of product.

**WARRANTY:** Guarantee is 12 months from purchase date, proof of which will be required for any claim.