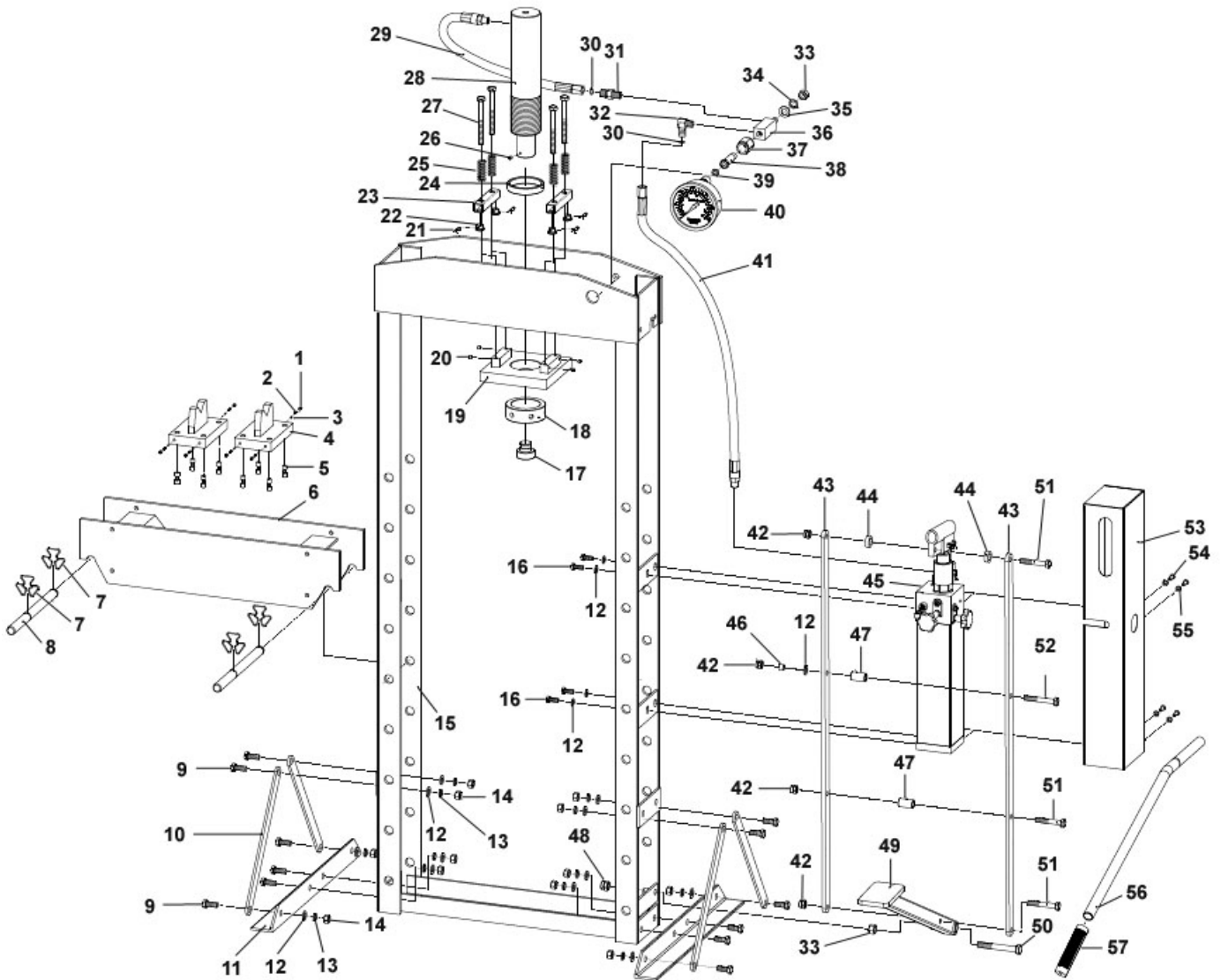




Parts Information:
**Hydraulic Press Premier 15tonne Floor
Type with Foot Pedal**
Model No: YK15FFP



NOTE: It is our policy to continually improve products and as such we reserve the right to alter data, specifications and component parts without prior notice.

IMPORTANT: No liability is accepted for incorrect use of product.

WARRANTY: Guarantee is 12 months from purchase date, proof of which will be required for any claim.

Sealey Group, Kempson Way, Suffolk Business Park, Bury St Edmunds, Suffolk. IP32 7AR



01284 757500



01284 703534



sales@sealey.co.uk



www.sealey.co.uk



Parts Information:
**Hydraulic Press Premier 15tonne Floor
Type with Foot Pedal
Model No: YK15FFP**

Item	Part No.	Description
1	GSM88.S	GRUB SCREW M8x8 (SINGLE)
2	YK15FFP.02	SPRING
3	SB-5.6	STEEL BALL 5.6mm
4	YK15FFP.04	V-BLOCK
5	YK15FFP.05	SCREW
6	YK15FFP.06	BED FRAME
7	YK15BP.07	RETAINING CLIP
8	YK15BP.08	PIN, TABLE SUPPORT 265x19mm
9	YK15FFP.09	BOLT
10	YK30FFP.10	SUPPORT
11	YK15FFP.11	BASE SECTION
12	YK15FFP.12	WASHER
13	YK15FFP.13	LOCK WASHER
14	YK15FFP.14	NUT
15	YK15FFP.15	FRAME
16	YK15FFP.16	BOLT
17	YK15FFP.17	SERRATED SADDLE
18	YK15FFP.18	RAM NUT
19	YK15FFP.19	UNDER PLATE
20	YK15FFP.20	SCREW
21	YK30FFP.24	R-PIN
22	YK30FFP.23	SLIDE BLOCK
23	YK15FFP.23	CONNECTING PLATE
24	YK15FFP.24	UPPER ROUND NUT
25	YK15FFP.25	SPRING
26	YK15FFP.26	SCREW
27	HHB10100.S	HEX HEAD BOLT M10x100mm SINGLE
28	YK15FFP.28	RAM
29	YK15FFP.29	OIL HOSE (FOR RAM)

Item	Part No.	Description
30	YK50FFP.51	O-RING
31	YK50FFP.62	JOINT
32	YK50FFP.45	ELBOW FITTING
33	YK15FFP.33	NUT
34	YK15FFP.34	LOCK WASHER
35	YK15FFP.35	WASHER
36	YK15FFP.36	UNION SEAT
37	YK50FFP.56	UNION NUT
38	YK50FFP.57	UNION SCREW
39	YK759FAH.61	NYLON RING
40	YK15FFP.40	PRESSURE GAUGE
41	YK15FFP.41	OIL HOSE (FOR PUMP)
42	YK15FFP.42	NUT
43	YK50FFP.68	SUPPORT
44	YK50FFP.80	BUSHING
45	YK15FFP.45	PUMP
46	YK50FFP.69	BUSHING
47	YK50FFP.70	BUSHING
48	YK15FFP.48	NUT
49	YK50FFP.75	FOOT PEDAL
50	HHB1290.S	HEX HEAD BOLT M12x90mm SINGLE
51	YK15FFP.51	BOLT
52	YK15FFP.52	BOLT
53	YK20FFP.54	PROTECTIVE HOUSING FOR PUMP
54	YK15FFP.54	SCREW
55	YK15FFP.55	WASHER
56	YK50FFP.85	HANDLE
57	YK50FFP.86	HANDLE GRIP
--	YK50FFP.79	SPRING (NOT SHOWN)

NOTE: It is our policy to continually improve products and as such we reserve the right to alter data, specifications and component parts without prior notice.

IMPORTANT: No liability is accepted for incorrect use of product.

WARRANTY: Guarantee is 12 months from purchase date, proof of which will be required for any claim.

Sealey Group, Kempson Way, Suffolk Business Park, Bury St Edmunds, Suffolk. IP32 7AR



01284 757500



01284 703534



sales@sealey.co.uk



www.sealey.co.uk