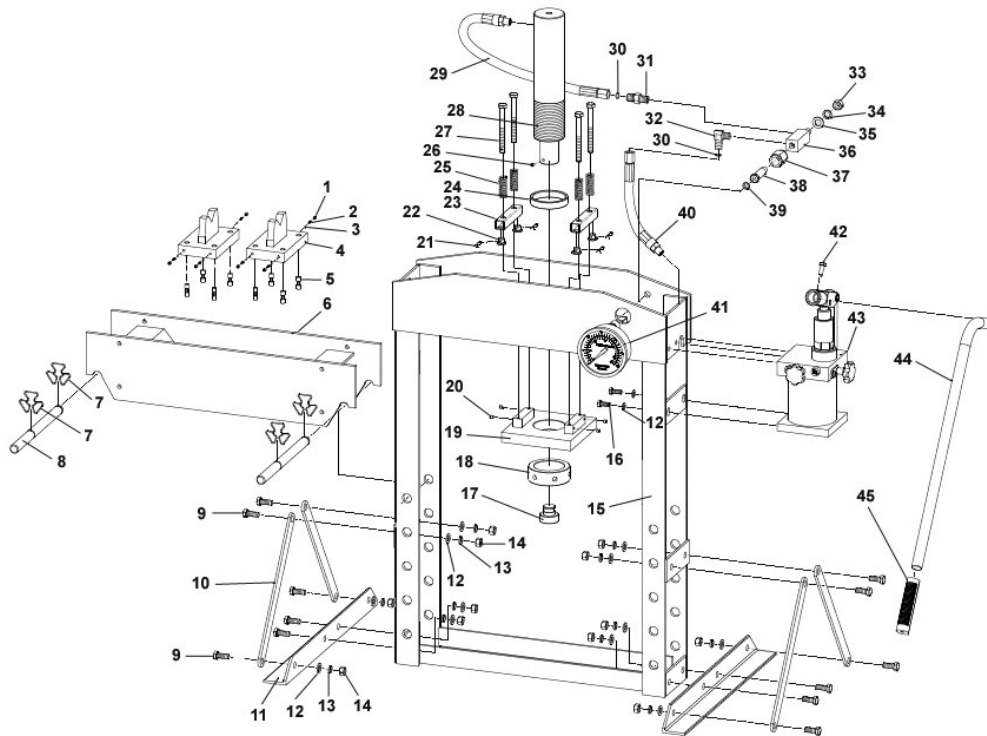




Parts Information:
**Hydraulic Press Premier 15tonne Bench
 Type**
Model No: YK15BP



Item	Part No.	Description
1	GSM88.S	GRUB SCREW M8x8 (SINGLE)
2	YK15FFP.02	SPRING
3	SB-5.6	STEEL BALL 5.6mm
4	YK15BP.04	V-BLOCK
5	YK15FFP.05	SCREW
6	YK15BP.06	BED FRAME
7	YK15BP.07	RETAINING CLIP
8	YK15BP.08	PIN, TABLE SUPPORT 265x19mm
9	YK15BP.09	BOLT
10	YK30FFP.10	SUPPORT
11	YK15FFP.11	BASE SECTION
12	YK15BP.12	WASHER
13	YK15BP.13	LOCK WASHER
14	YK15BP.14	NUT
15	YK15BP.15	FRAME
16	YK15BP.16	BOLT
17	YK15FFP.17	SERRATED SADDLE
18	YK15FFP.18	RAM NUT
19	YK15FFP.19	UNDER PLATE
20	YK15BP.20	SCREW
21	YK30FFP.24	R-PIN
22	YK30FFP.23	SLIDE BLOCK
23	YK15FFP.23	CONNECTING PLATE

Item	Part No.	Description
24	YK15FFP.24	UPPER ROUND NUT
25	YK15FFP.25	SPRING
26	YK15FFP.26	SCREW
27	HHB10100.S	HEX HEAD BOLT M10x100mm SINGLE
28	YK15FFP.28	RAM
29	YK15FFP.29	OIL HOSE (FOR RAM)
30	YK50FFP.51	O-RING
31	YK50FFP.62	JOINT
32	YK50FFP.45	ELBOW FITTING
33	YK15BP.33	NUT
34	YK15BP.34	LOCK WASHER
35	YK15BP.35	WASHER
36	YK15FFP.36	UNION SEAT
37	YK50FFP.56	UNION NUT
38	YK50FFP.57	UNION SCREW
39	YK759FAH.61	NYLON RING
40	YK15BP.40	OIL HOSE (FOR PUMP)
41	YK15FFP.40	PRESSURE GAUGE
42	YK15BP.42	BOLT
43	YK15BP.43	PUMP
44	YK759FAH.54	HANDLE
45	YK50FFP.86	HANDLE GRIP

NOTE: It is our policy to continually improve products and as such we reserve the right to alter data, specifications and component parts without prior notice.

IMPORTANT: No liability is accepted for incorrect use of product.

WARRANTY: Guarantee is 12 months from purchase date, proof of which will be required for any claim.

Sealey Group, Kempson Way, Suffolk Business Park, Bury St Edmunds, Suffolk. IP32 7AR



01284 757500



01284 703534



sales@sealey.co.uk



www.sealey.co.uk