

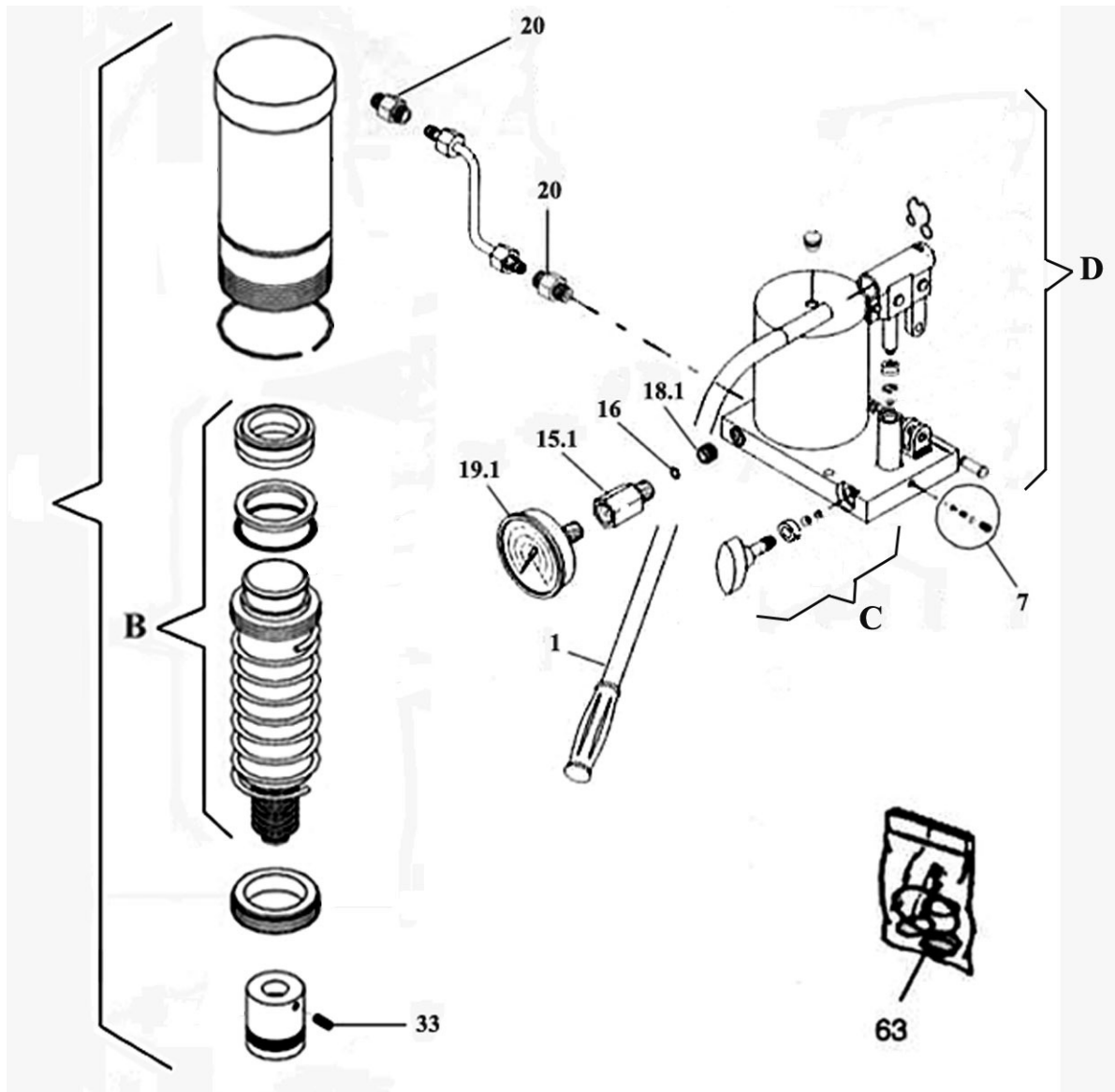
Item	Part No.	Description
1	KSC-15A-C1M	FRAME
2	KCK-15AM-C15	V-BLOCK
3	KSC-10AM-C44	TABLE
4	KCK-15AM-C92	PIN, TABLE SUPPORT 200x20mm

Item	Part No.	Description
8	CM-15-1508	CHECK NUT
10	KSCM-15-1381	PIPE
--	BK-05	HYDRAULIC UNIT(HAND PUMP) (NOT SHOWN)

NOTE: It is our policy to continually improve products and as such we reserve the right to alter data, specifications and component parts without prior notice.

IMPORTANT: No liability is accepted for incorrect use of product.

WARRANTY: Guarantee is 12 months from purchase date, proof of which will be required for any claim.



Item	Part No.	Description
1	BK05-C21M	PUMPING HANDLE
7	MG-2/C9	SAFETY VALVE
15.1	A-5578	CONNECTOR
16	MB-22-A/1130	O-RING
18.1	Y-2/1160	SCREW
19.1	A-5110	GAUGE 700kg/cm ² ,100mm OD, Back Fitting.
20	KCK-15-2121	CONNECTOR
33	GSM610.S	GRUB SCREW M6x10 (SINGLE)
63	RCMK-15	REPAIR KIT
--	RBKD-09	REPAIR KIT (NOT SHOWN)

Item	Part No.	Description
B	CM-15-C14M	MAIN PISTON
C	BM04-C11M	RELEASE KNOB ASS'Y
D	BK05-C7M	HANDLE SOCKET ASS'Y
--	YK15FM/RAM	RAM ASSEMBLY COMPLETE (NOT SHOWN)
--	YK15BM.V3-F	FOOT FOR YK15BM.V3 (NOT SHOWN)
--	BK05-C55M	PLUG (NOT SHOWN)
--	BK05-C80	CONNECTOR (NOT SHOWN)
--	YK15FM/23	RING (NOT SHOWN)
--	YK15FM/31	NUT (NOT SHOWN)
--	YK15FM/32	RAM SADDLE (NOT SHOWN)

PLEASE NOTE LIMITED SPARE PARTS AVAILABLE!

NOTE: It is our policy to continually improve products and as such we reserve the right to alter data, specifications and component parts without prior notice.

IMPORTANT: No liability is accepted for incorrect use of product.

WARRANTY: Guarantee is 12 months from purchase date, proof of which will be required for any claim.