

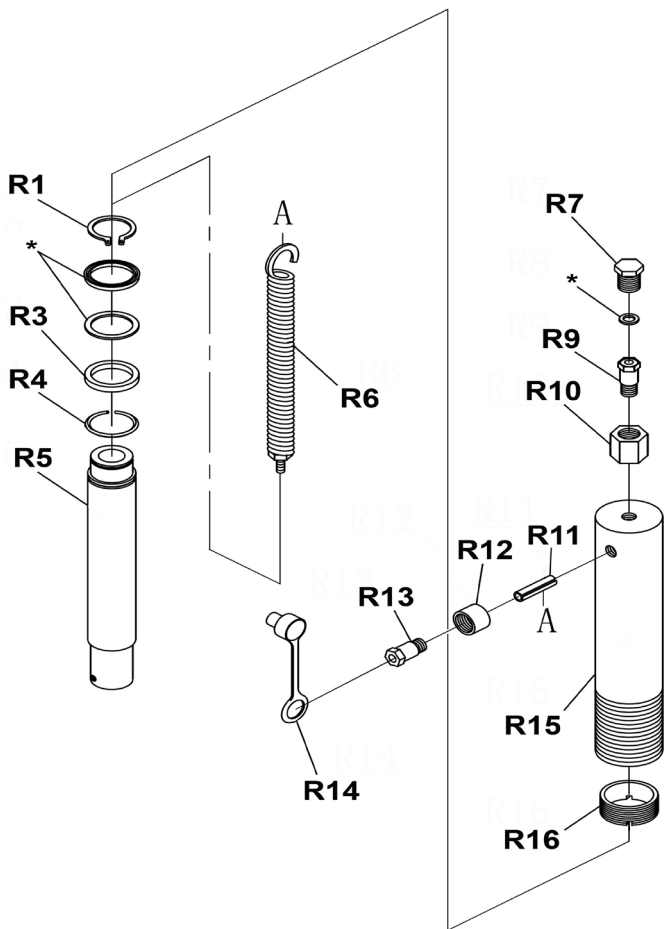
NOTE: It is our policy to continually improve products and as such we reserve the right to alter data, specifications and component parts without prior notice. There may be alternative versions of this product, please contact us should you require this information.

IMPORTANT: No liability is accepted for incorrect use of product. Spare parts must be fitted by a competent person

WARRANTY: Guarantee is 12 months from purchase date, proof of which will be required for any claim.

Item	Part No.	Description	Qty
1	YK12F-01	Pressure Gauge	1
2	YK12F-02	Nylon Washer	1
3	YK12F-03	Hydraulic Ram	1
4	GSM610.S	Grub Screw M6x10 (single)	1
5	HHB10140.S	Hex Head Bolt M10 x 140mm	2
6	YK12F-06	Upper Ram Support Plate	1
7	YK12F-07	Round Nut, Upper Ring	1
8	YK12F-08	Lower Ram Support Plate	1
9	YK12F-09	Serrated Saddle	1
10	YK12F-10	Upper Beam	2
11	YK12F-11	Round Nut, Lower Ring	1
12	SS1230.S	Hex Head Set Screw M12 X 30 Zinc	8
13	FWM12.S	Flat Washer M12 Zinc	8
14	SWM12.S	Spring Washer M12 Zinc	8
15	SN12.S	Steel Nut M12 Zinc	8
16	YK12F-16	V-Block	2
17	YK12F-17	Bed Frame	1

Item	Part No.	Description	Qty
18	YK12F-18	Table Support Pin	2
19	YK12F-19	Upright	2
20	YK12F-20	Base Section	2
21	FWM10.S	Flat Washer M10 Zinc	16
22	SWM10.S	Spring Washer M10 Zinc	16
23	SN10.S	Steel Nut M10 Zinc	16
24	YK12F-24	Lower Support	1
25	YK12F-25	Support Plate for Pump	1
26	FWM8.S	Flat Washer M8 Zinc	3
27	SS816.S	Hex Head Set Screw M8 X 16 Zinc	3
28	YK12F-28	Pump Assembly	1
29	SS1025.S	Hex Head Set Screw M10 X 25 Zinc	8
30	SS1030.S	Hex Head Set Screw M10 X 30 Zinc	6
31	YK10F.V3-31	Support Brace	4
32	YK12F-32	Limit Rod	2
33	YK12F-33	Retaining Clip	4

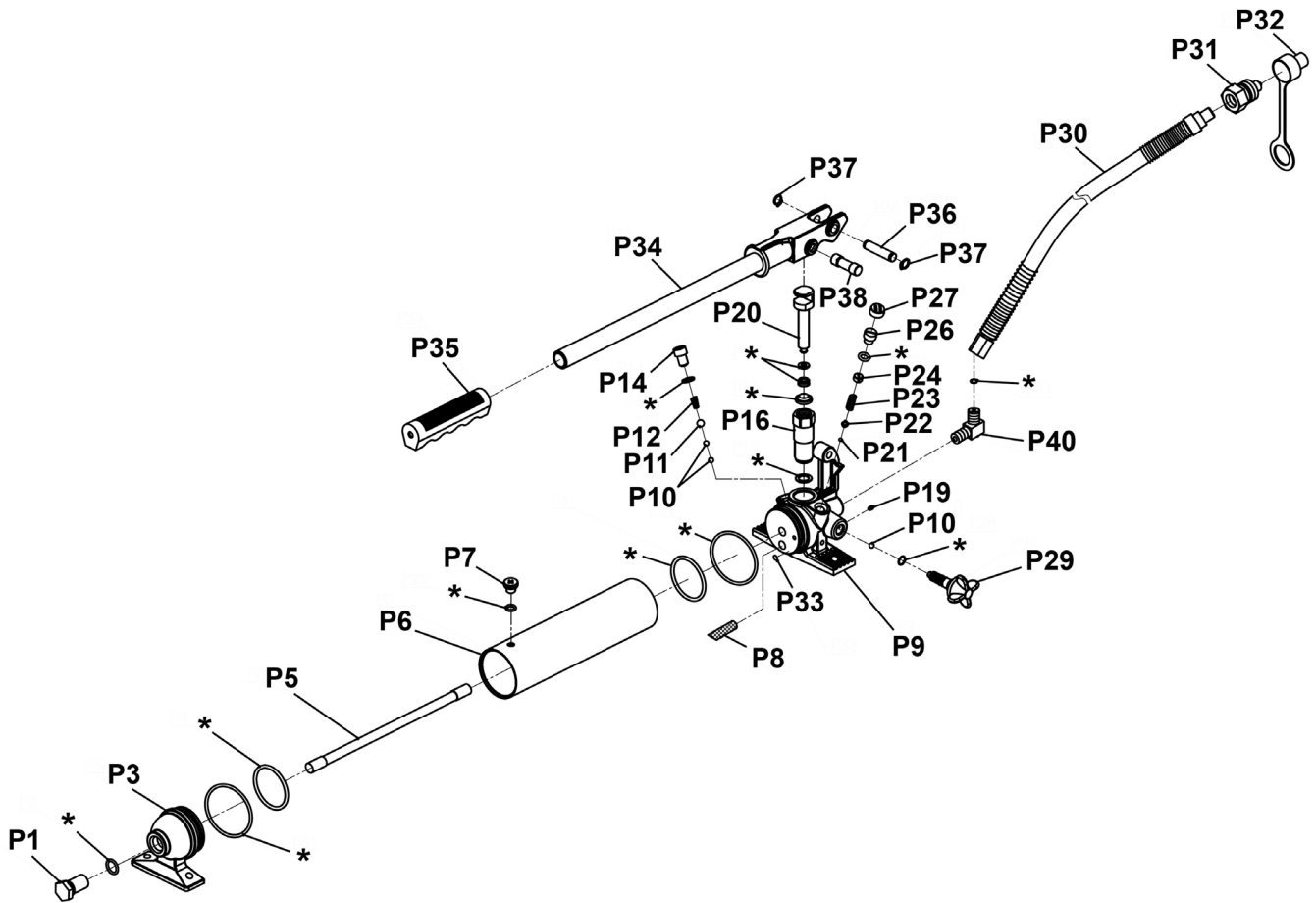


Item	Part No.	Description	Qty
R1	YK12F-R01	External Circlip	1
R3	YK12F-R03	Guide Ring	1
R4	YK12F-R04	Limit Ring (A)	1
R5	YK12F-R05	Piston Rod	1
R6	YK12F-R06	Spring	1
R7	YK12F-R07	Plunger	1
R9	YK12F-R09	Gauge Coupler	1
R10	YK12F-R10	Gauge Connection Nut	1
R11	YK12F-R11	Spring Pin	1
R12	YK12F-R12	Connection Nut	1
R13	YK12F-R13	Connection Coupler	1
R14	YK12F-R14	Dust Cap	1
R15	YK12F-R15	Ram	1
R16	YK12F-R16	Limit Ring (B)	1
--	YK12F-RRK	Ram Repair Kit (all items marked '*' included - seals included not shown)	1

NOTE: It is our policy to continually improve products and as such we reserve the right to alter data, specifications and component parts without prior notice. There may be alternative versions of this product, please contact us should you require this information.

IMPORTANT: No liability is accepted for incorrect use of product. Spare parts must be fitted by a competent person

WARRANTY: Guarantee is 12 months from purchase date, proof of which will be required for any claim.



Item	Part No.	Description	Qty
P1	YK12F-P01	End Screw for Pump Foot	1
P3	YK12F-P03	Pump Foot	1
P5	YK12F-P05	Pull Rod	1
P6	YK12F-P06	Reservoir	1
P7	YK12F-P07	Oil Filler Screw	1
P8	YK12F-P08	Filter	1
P9	YK12F-P09	Pump Housing Base	1
P10	SB-5.6	Steel ball 5.6mm	3
P11	SB-8.0	Steel Ball 8.0mm	1
P12	YK12F-P12	Spring	1
P14	YK12F-P14	Guard Screw	1
P16	YK12F-P16	Piston Seat	1
P19	GSM68.S	Grub Screw M6x8 (single)	1
P20	YK12F-P20	Piston	1
P21	SB-3.0	Steel Ball 3.0mm	1
P22	YK12F-P22	Steel Ball Seat	1
P23	YK12F-P23	Spring	1

Item	Part No.	Description	Qty
P24	YK12F-P24	Spring Cap	1
P26	YK12F-P26	Safety Valve Screw	1
P27	YK12F-P27	Red Cap	1
P29	YK12F-P29	Release Valve	1
P30	YK12F-P30	Hydraulic Hose	1
P31	YK12F-P31	Hydraulic Hose Coupling	1
P32	YK12F-P32	Dust Cap	1
P33	YK12F-P33	Washer	1
P34	YK12F-P34	Pump Handle Assembly	1
P35	YK12F-P35	Pump Handle Grip	1
P36	YK12F-P36	Handle Socket Pin (A)	1
P37	YK12F-P37	External Circlip Ø10	2
P38	YK12F-P38	Handle Socket Pin (B)	1
P40	YK12F-P40	Elbow Connector	1
--	YK12F-PRK	Pump Repair Kit (all items marked '*' included)	1

NOTE: It is our policy to continually improve products and as such we reserve the right to alter data, specifications and component parts without prior notice. There may be alternative versions of this product, please contact us should you require this information.

IMPORTANT: No liability is accepted for incorrect use of product. Spare parts must be fitted by a competent person

WARRANTY: Guarantee is 12 months from purchase date, proof of which will be required for any claim.