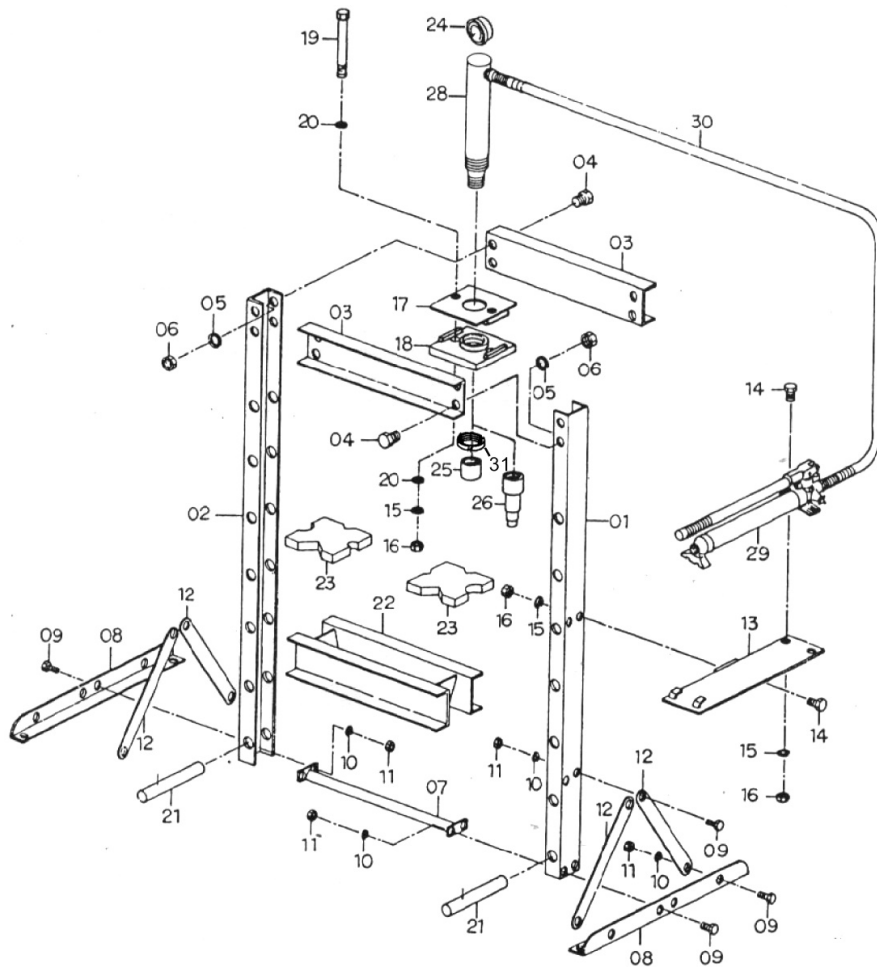


Parts Information: Hydraulic Press 10tonne Floor Type without Gauge Model No: YK10FLG



Item	Part No.	Description
1	YK10F/01	FRAME
2	YK10F/02	FRAME
3	YK10F/03	BRIDGE
4	SS1435.SB	HEX HEAD SET SCREW M14x35mm SINGLE BLACK
5	SWM12.SB	SPRING WASHER M12 BLACK(SINGLE)
6	YK10F/06	M14 FULL HEX NUT S/C
7	YK10F/07	UNION SUPPORT
8	YK10F/08	BASE SUPPORTS
9	SS825.SB	HEX HEAD SET SCREW M8x25mm SINGLE BLACK
10	YK10F/10	SPRING WASHER
11	SN8.S	STEEL NUT M8 ZINC DIN934 (SINGLE)
12	YK10F/12	SUPPORT PLATES
13	YK10F/13	PUMP SUPPORT
14	YK10F/14	BOLT M10x25
15	SWM10.SB	SPRING WASHER M10 BLACK(SINGLE)

Item	Part No.	Description
16	SN10.SB	STEEL NUT M10 BLACK (SINGLE)
17	YK10F/17	SUPPORT PLATES
18	YK10F/18	RAM SUPPORT
19	HHB10140.SB	HEX HEAD BOLT M10x140mm SINGLE BLACK
20	FWM10.S	FLAT WASHER M10 SINGLE
21	YK10F/21	PIN, TABLE SUPPORT 215x18mm
22	YK10F/22	BED, FLAT (SO)
23	YK10F/23	ARBOR PLATE (160x160x20)
24	YK10B/G	GAUGE kg/cm2 16tonnes, Btm fitting, 68mm
25	YK10F/25	ADAPTOR
26	YK10F/26	STEPPED ADAPTOR
--	YK10F/27	PUMP (NOT SHOWN)
28	YK10FLG/24	RAM
29	610/40	HYDRAULIC PUMP without HOSE - 10tonne
--	RE97,10-03	HOSE ASSEMBLY (NOT SHOWN)
30	610/PJ25	HOSE
31	YK10F.31	RING NUT

NOTE: It is our policy to continually improve products and as such we reserve the right to alter data, specifications and component parts without prior notice.

IMPORTANT: No liability is accepted for incorrect use of product.

WARRANTY: Guarantee is 12 months from purchase date, proof of which will be required for any claim.