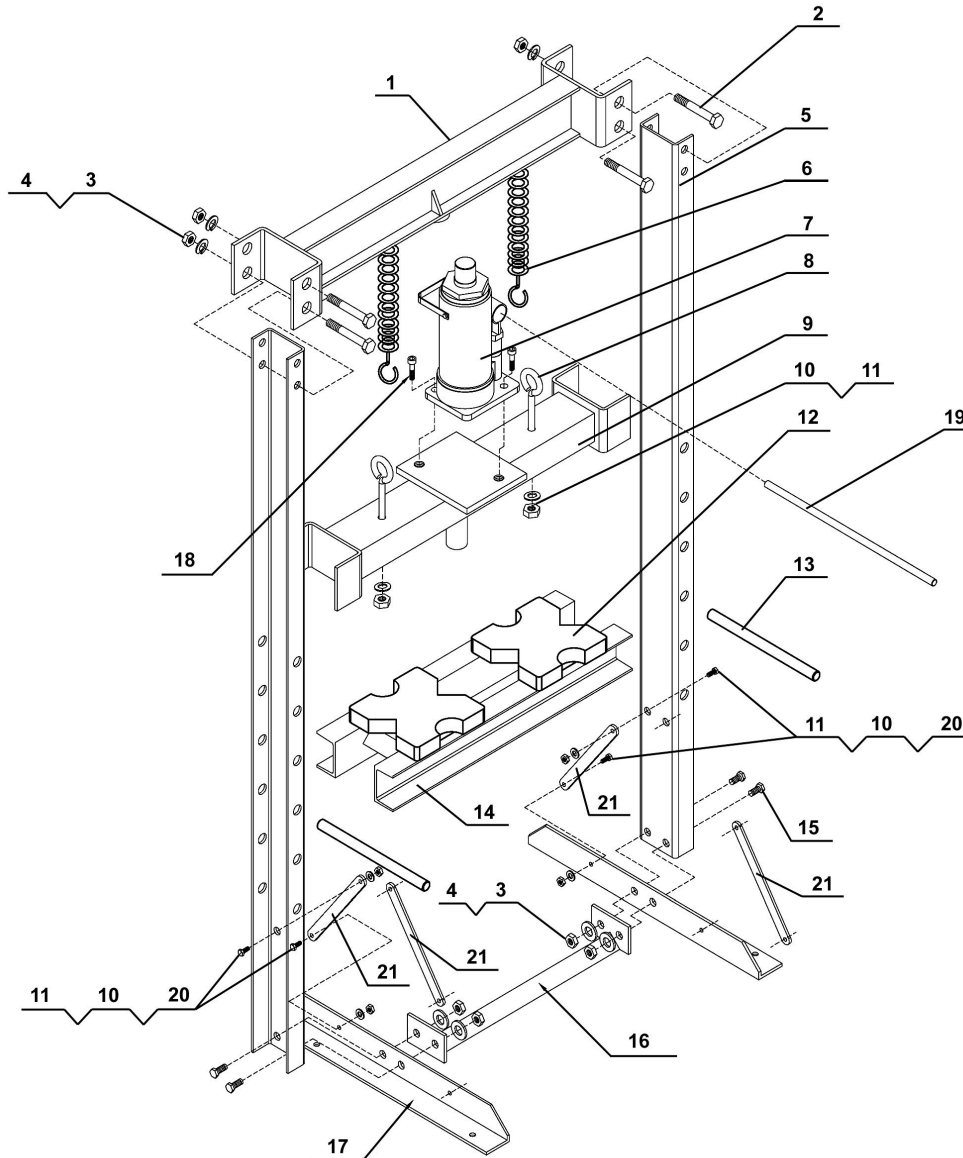


Parts Information:
Hydraulic Press 10tonne Economy Floor Type
Model No: YK10ECF



Item	Part No.	Description
1	YK10ECF.01	UPPER SUPPORT
2	HHB12120.S	HEX HEAD BOLT M12x120mm SINGLE
3	FWM12.S	FLAT WASHER M12 SINGLE
4	SN12.S	STEEL NUT M12 ZINC DIN934(SINGLE)
5	YK10ECF.05	UPRIGHT
6	YK10ECF.06	SPRING
7	YK10ECF.07	HYDRAULIC UNIT
8	YK10ECF.08	HOOK PIN
9	YK10ECF.09	SUPPORT PLATE
10	YK10ECF.10	WASHER M8
11	SN8.S	STEEL NUT M8 ZINC DIN934 (SINGLE)

Item	Part No.	Description
12	YK10ECF.12	ARBOR PLATE (150x150x25)
13	YK10ECF.13	PIN, TABLE SUPPORT 230x16mm
14	YK10ECF.14	TABLE
15	SS1230.S	HEX HEAD SET SCREW M12x30mm SINGLE
16	YK10ECF.16	BASE SUPPORT
17	YK10ECF.17	FOOT
18	YK10ECF.18	BOLT (M8x16)
19	YK20ECF.21	HANDLE
20	SS825.S	HEX HEAD SET SCREW M8x25mm SINGLE
21	YK10ECF.21	BRACE
--	YK10ECF.FK	FIXING KIT (NOT SHOWN)

NOTE: It is our policy to continually improve products and as such we reserve the right to alter data, specifications and component parts without prior notice.

IMPORTANT: No liability is accepted for incorrect use of product.

WARRANTY: Guarantee is 12 months from purchase date, proof of which will be required for any claim.