

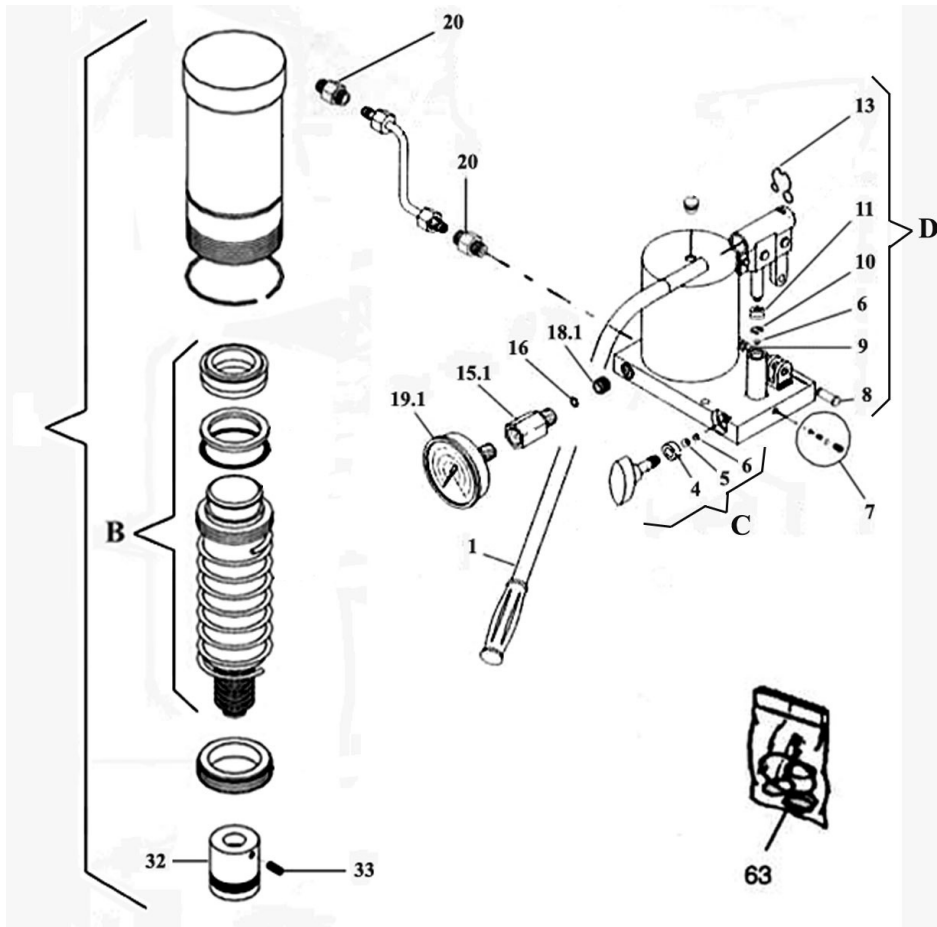
Item	Part No.	Description
1	KSC-10A-C1M	FRAME
2	KCK-15AM-C15	V-BLOCK
3	KSC-10AM-C44	TABLE
4	KCK-15AM-C92	PIN, TABLE SUPPORT 200x20mm

Item	Part No.	Description
8	KSCM-10/1508	NUT
10	KSCM-15-1381	PIPE
--	BK-05	HYDRAULIC UNIT(HAND PUMP) (NOT SHOWN)

**NOTE:** It is our policy to continually improve products and as such we reserve the right to alter data, specifications and component parts without prior notice.

**IMPORTANT:** No liability is accepted for incorrect use of product.

**WARRANTY:** Guarantee is 12 months from purchase date, proof of which will be required for any claim.



Item	Part No.	Description
1	BK05-C21M	PUMPING HANDLE
4	MG-2/1130	O-RING
5	SB-8.0	STEEL BALL 8.0mm
6	SB-5.6	STEEL BALL 5.6mm
7	MG-2/C9	SAFETY VALVE
8	MG-2/1344	AXLE
9	MB-22-A/1286	CIRCLIP
10	MG-2/1161	CIRCLIP
11	MG-2/1133	SEAL
13	BK-1/1282	CLIP
15.1	A-5578	CONNECTOR
16	MB-22-A/1130	O-RING
18.1	Y-2/1160	SCREW
19.1	A-5110	GAUGE 700kg/cm2,100mm OD, Back Fitting.
20	KCK-15-2121	CONNECTOR
32	YK10BM/32	RAM SADDLE(A-5042)

Item	Part No.	Description
33	GSM610.S	GRUB SCREW M6x10 (SINGLE)
63	RCC-10	REPAIR KIT
--	RBKD-09	REPAIR KIT
B	CC-10-C14M	MAIN PISTON
C	BM04-C11M	RELEASE KNOB ASS'Y
D	BK05-C7M	HANDLE SOCKET ASS'Y
--	YK50FM/03	RELEASE VALVE KNOB (NOT SHOWN)
--	BK05-C55M	PLUG (NOT SHOWN)
--	BK05-C80	CONNECTOR (NOT SHOWN)
--	YK10BM/23	CIRCLIP (NOT SHOWN)
--	YK10BM/26	SEAL (NOT SHOWN)
--	YK10BM/27	SEAL (NOT SHOWN)
--	YK10BM/28	SEAL (NOT SHOWN)
--	YK10BM/29	RAM (NOT SHOWN)
--	YK10BM/30	SPRING (NOT SHOWN)
--	YK10BM/31	GUIDE NUT (NOT SHOWN)

**PLEASE NOTE LIMITED SPARE PARTS AVAILABLE!**

**NOTE:** It is our policy to continually improve products and as such we reserve the right to alter data, specifications and component parts without prior notice.

**IMPORTANT:** No liability is accepted for incorrect use of product.

**WARRANTY:** Guarantee is 12 months from purchase date, proof of which will be required for any claim.