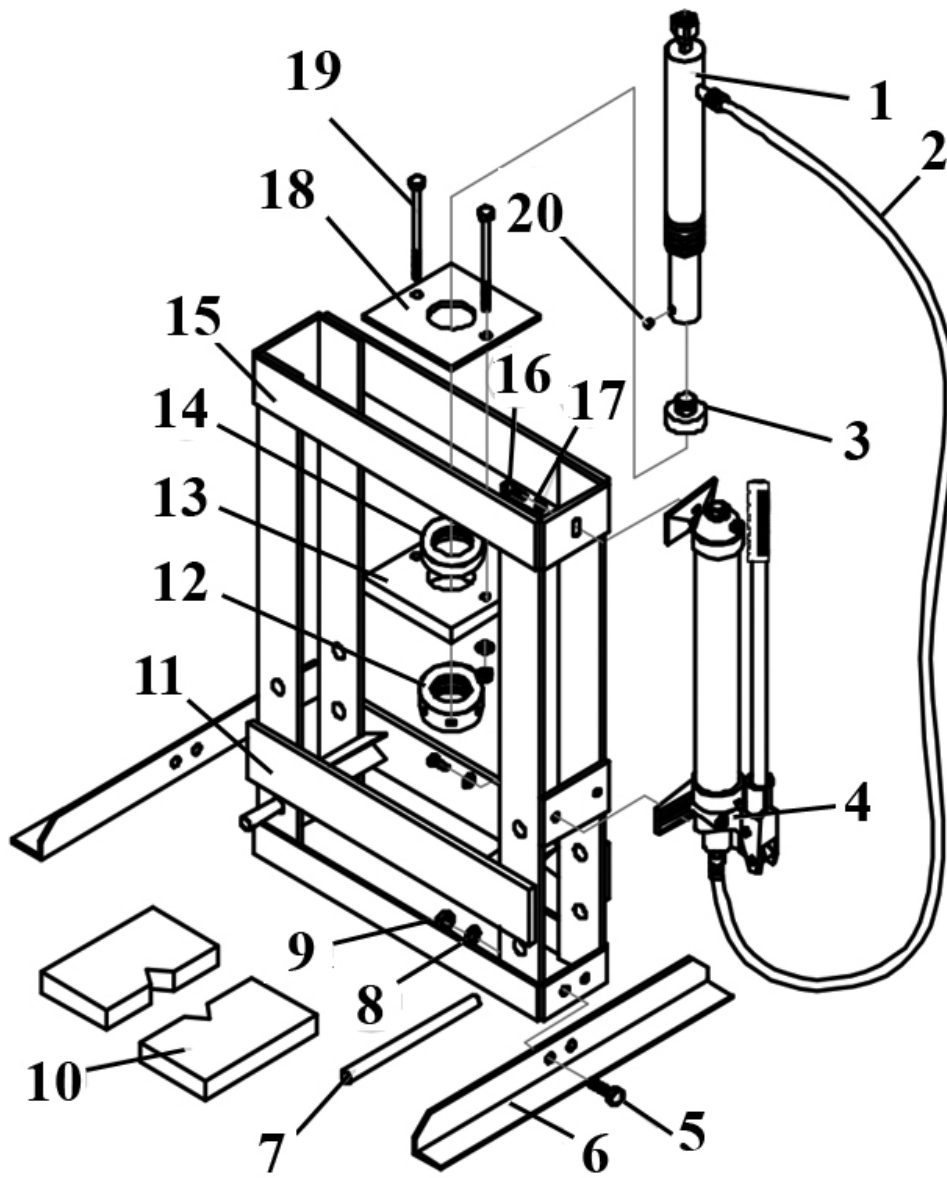


Parts Information:
**Hydraulic Press 10tonne Bench Type
 without Gauge**
Model No: YK10BLG.V2



Item	Part No.	Description
1	YK10BV3-03	RAM ASS'Y
2	RE97.10-03	HOSE ASSEMBLY
3	YK10BV3-05	SERRATED SADDLE
4	YK10BLGV2.04	PUMP ASSEMBLY
5	SS1025.S	HEX HEAD SET SCREW M10x25mm SINGLE
6	YK10BV3-08	BASE SUPPORT
7	YK10BV3-09	PIN, TABLE SUPPORT 220x18mm
8	FWM10.S	FLAT WASHER M10 SINGLE
9	SN10.S	STEEL NUT M10 ZINC DIN934(SINGLE)
10	YK10BV3-12	ARBOR PLATE (170x100x20)
11	YK10BV3-13	TABLE

Item	Part No.	Description
12	YK10BV3-14	STRAIGHT ADAPTOR
13	YK10BV3-15	RAM SUPPORT PLATE (LOWER)
14	YK10BV3-16	RING NUT
15	YK10BV3-17	FRAME
16	FWM10.S	FLAT WASHER M10 SINGLE
17	SS816.S	HEX HEAD SET SCREW M8x16mm SINGLE
18	YK10BV3-20	RAM SUPPORT PLATE (UPPER)
19	HHB10110.S	HEX HEAD BOLT M10x110mm SINGLE
20	YK10BLGV2.20	SCREW
--	YK10BLGV2.RK	REPAIR KIT (NOT SHOWN)

NOTE: It is our policy to continually improve products and as such we reserve the right to alter data, specifications and component parts without prior notice.

IMPORTANT: No liability is accepted for incorrect use of product.

WARRANTY: Guarantee is 12 months from purchase date, proof of which will be required for any claim.