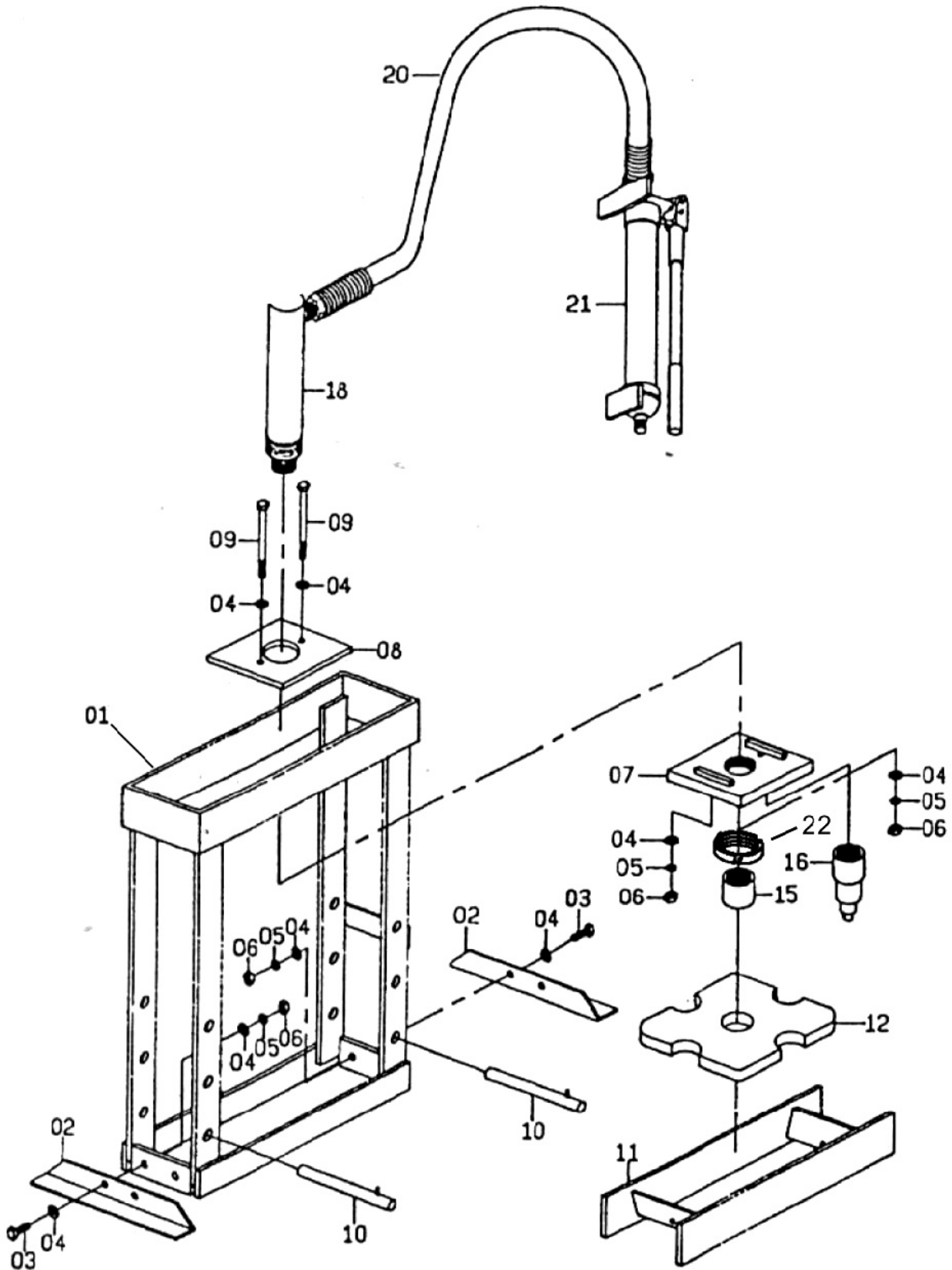


Parts Information:
**Hydraulic Press 10tonne Bench Type
 without Gauge**
Model No: YK10BLG



NOTE: It is our policy to continually improve products and as such we reserve the right to alter data, specifications and component parts without prior notice.

IMPORTANT: No liability is accepted for incorrect use of product.

WARRANTY: Guarantee is 12 months from purchase date, proof of which will be required for any claim.



Parts Information:
**Hydraulic Press 10tonne Bench Type
without Gauge
Model No: YK10BLG**

Item	Part No.	Description
1	YK10BLG/01	FRAME
2	YK10BLG/02	BASE SUPPORT
3	SS1230.S	HEX HEAD SET SCREW M12x30mm SINGLE
4	FWM10.S	FLAT WASHER M10 SINGLE
5	SWM10.S	SPRING WASHER M10 ZINC (SINGLE)
6	SN10.S	STEEL NUT M10 ZINC DIN934(SINGLE)
7	YK10BLG/07	PLATE, RAM SUPPORT (LOWER)
8	YK10BLG/08	PLATE, RAM SUPPORT (UPPER)
9	HHB10120.S	HEX HEAD BOLT M10x120mm SINGLE
10	YK10BLG/10	PIN, TABLE SUPPORT 190x18mm

Item	Part No.	Description
11	YK10BLG/11	TABLE, BENCH SIDE SYSTEM
12	YK10BLG/12	PLATE, ARBOR (230x230x35)
15	YK10F/25	ADAPTOR
16	YK10F/26	STEPPED ADAPTOR
18	610/41	PUSH RAM - 10tonne
20	RE97.10-03	HOSE ASSEMBLY
21	610/40	HYDRAULIC PUMP without HOSE - 10tonne
22	YK10B.22	RING NUT
--	YK10BLG/FK	FIXING KIT (NOT SHOWN)
--	610/7	SERRATED SADDLE (NOT SHOWN)

NOTE: It is our policy to continually improve products and as such we reserve the right to alter data, specifications and component parts without prior notice.

IMPORTANT: No liability is accepted for incorrect use of product.

WARRANTY: Guarantee is 12 months from purchase date, proof of which will be required for any claim.

Sealey Group, Kempson Way, Suffolk Business Park, Bury St Edmunds, Suffolk. IP32 7AR



01284 757500



01284 703534



sales@sealey.co.uk



www.sealey.co.uk