

Item	Part No.	Description
14	YAJ30H.1H14	Oil Cylinder Assembly
15	FUSN-J002	Pump Assembly
16	YAJ30H.1H16	Safety Valve
17	YAJ30H.1H17	Joint
18	YAJ30H.1H18	Lifting Handle Set
19	YAJ30H.1H19	Oil Tank
20	YAJ30H.1H20	Adaptors
21	SCB516.SB	Socket Head Cap Screw M5 x 16mm Black
22	YAJ30H.1H22	Switch
23	YAJ30H.1H23	Handle Grip
24	YAJ30H.1H24	Handle Assembly

Item	Part No.	Description
25	YAJ30H.1H25	Joint
26	YAJ30H.1H26	Wheel Axle 170mm Ø 17mm
27	YAJ30H.1H27	Wheel,Fixed (W/Fixings)(200 x 44 x 50mm)
28	YAJ30H.1H28	Socket Head Cap Screw
29	YAJ30H.1H29	Socket Head Cap Screw
30	YAJ30H.1H30	Button Head Socket Screw
31	YAJ30H.1H31	Button Head Socket Screw
32	YAJ30H.1H32	O-Ring
33	YAJ30H.1H33	Locking Ring
--	SFS819.S	Hex Head Flange Bolt M8 x 19mm (Not Shown)

NOTE: It is our policy to continually improve products and as such we reserve the right to alter data, specifications and component parts without prior notice. There may be alternative versions of this product, please contact us should you require this information.

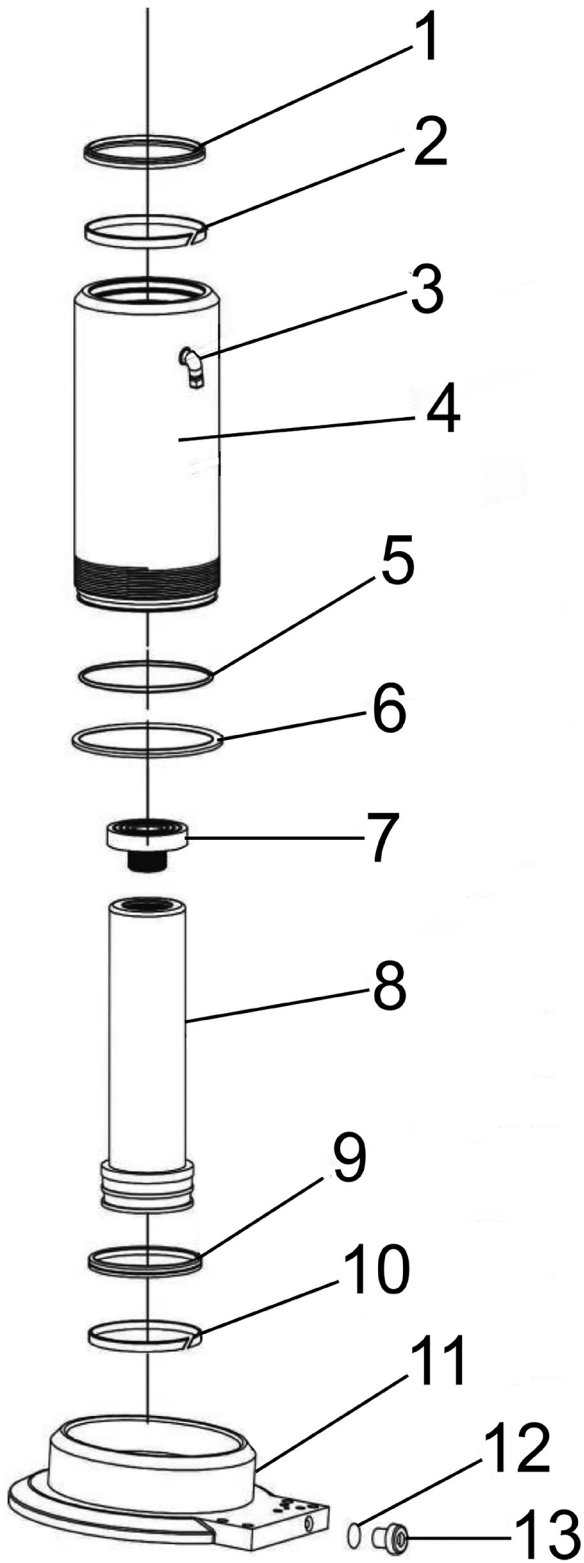
IMPORTANT: No liability is accepted for incorrect use of product. Spare parts must be fitted by a competent person

WARRANTY: Guarantee is 12 months from purchase date, proof of which will be required for any claim.



Parts Information:
Premier Air Operated High Lift Single
Stage Jack 30 Tonne
Model No: YAJ30H.V2

RAM ASSEMBLY



Item	Part No.	Description
1	YAJ30H.1H01	Dustproof Ring
2	YAJ30H.1H02	Guide Ring A
3	YAJ30H.1H03	Elbow
4	YAJ30H.1H04	Outer Sleeve
5	YAJ30H.1H05	O-Ring (127.30 x 120.24 x 3.53mm)
6	YAJ30H.1H06	Locking Ring
7	YAJ30H.1H07	Top Cover
8	YAJ30H.1H08	Piston
9	YAJ30H.1H09	Seal
10	YAJ30H.1H10	Guide Ring B
11	YAJ30H.1H11	Base
12	YAJ30H.1H12	Rubber Seal
13	YAJ30H.1H13	Screw

NOTE: It is our policy to continually improve products and as such we reserve the right to alter data, specifications and component parts without prior notice. There may be alternative versions of this product, please contact us should you require this information.

IMPORTANT: No liability is accepted for incorrect use of product. Spare parts must be fitted by a competent person

WARRANTY: Guarantee is 12 months from purchase date, proof of which will be required for any claim.

Sealey Group, Kempson Way, Suffolk Business Park, Bury St Edmunds, Suffolk. IP32 7AR



01284 757500

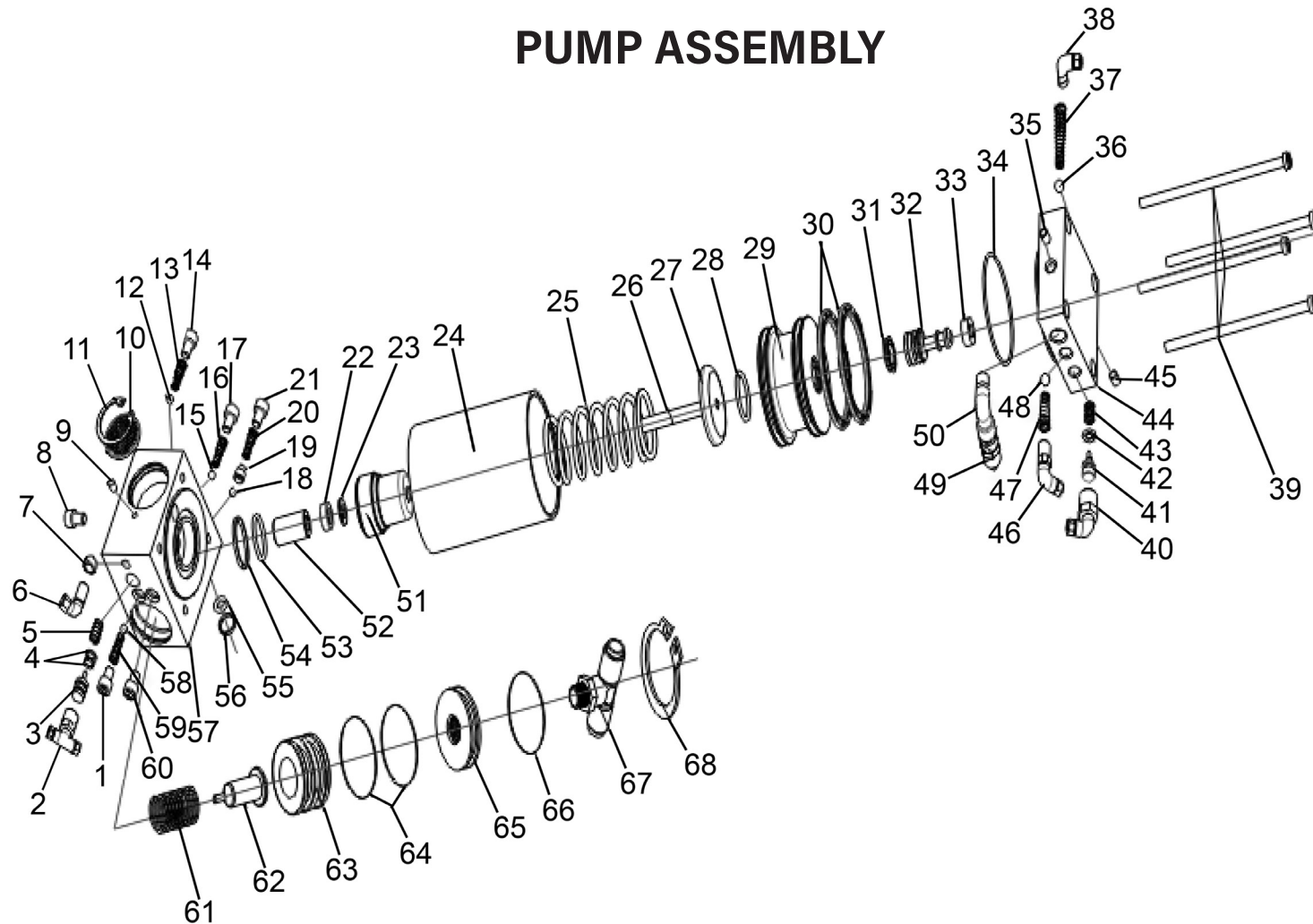


sales@sealey.co.uk



www.sealey.co.uk

PUMP ASSEMBLY



NOTE: It is our policy to continually improve products and as such we reserve the right to alter data, specifications and component parts without prior notice.

There may be alternative versions of this product, please contact us should you require this information.

IMPORTANT: No liability is accepted for incorrect use of product. Spare parts must be fitted by a competent person

WARRANTY: Guarantee is 12 months from purchase date, proof of which will be required for any claim.



Parts Information:
**Premier Air Operated High Lift Single
Stage Jack 30 Tonne
Model No: YAJ30H.V2**

Item	Part No.	Description
1	FUSN-LHJ01	Csk Socket Machine Screw
2	FUSN-LHJ02	T-Piece Adaptor
3	FUSN-LHJ03	Piston
4	FUSN-LHJ04	O-Ring for Piston
5	FUSN-LHJ05	Spring
6	FUSN-LHJ06	Elbow
7	FUSN-LHJ07	Filter
8	FUSN-LHJ08	Csk Socket Machine Screw
9	FUSN-LHJ09	Grub Screw
10	FUSN-LHJ10	Silencer
11	FUSN-LHJ11	Clamp Ring
12	FUSN-LHJ12	Steel Ball
13	FUSN-LHJ13	Spring
14	FUSN-LHJ14	Csk Socket Machine Screw
15	FUSN-LHJ15	Steel Ball
16	FUSN-LHJ16	Spring
17	FUSN-LHJ17	Csk Socket Machine Screw
18	FUSN-LHJ18	Steel Ball
19	FUSN-LHJ19	Steel Ball Base
20	FUSN-LHJ20	Spring
21	FUSN-LHJ21	Csk Socket Machine Screw
22	FUSN-LHJ22	Seal Ring
23	FUSN-LHJ23	Locking Ring
24	FUSN-LHJ24	Air Cylinder
25	FUSN-LHJ25	Spring
26	FUSN-LHJ26	Plunger Rod
27	FUSN-LHJ27	Plunger Cover
28	FUSN-LHJ28	O-Ring
29	FUSN-LHJ29	Piston
30	FUSN-LHJ30	PackIng Seal
31	FUSN-LHJ31	Z8 Seal
32	FUSN-LHJ32	Piston
33	FUSN-LHJ33	Rubber Cap
34	FUSN-LHJ34	O-Ring

Item	Part No.	Description
35	FUSN-LHJ35	Grub Screw
36	FUSN-LHJ36	Steel Ball
37	FUSN-LHJ37	Spring for Elbow
38	FUSN-LHJ38	Elbow
39	FUSN-LHJ39	Machine Screw Pan Head Phillips
40	FUSN-LHJ40	Elbow
41	FUSN-LHJ41	Piston
42	FUSN-LHJ42	O-Ring for Piston
43	FUSN-LHJ43	Spring for Piston
44	FUSN-LHJ44	Air Inlet Valve
45	FUSN-LHJ45	Grub Screw
46	FUSN-LHJ46	Elbow
47	FUSN-LHJ47	Spring for Elbow
48	FUSN-LHJ48	Steel Ball
49	FUSN-LHJ49	Safety Valve
50	FUSN-LHJ50	Elbow
51	FUSN-LHJ51	Oil Pump
52	FUSN-LHJ52	Plunger Bushing
53	FUSN-LHJ53	O-Ring
54	FUSN-LHJ54	O-Ring
55	FUSN-LHJ55	O-Ring
56	FUSN-LHJ56	Locking Ring
57	FUSN-LHJ57	Check Valve
58	FUSN-LHJ58	Steel Ball
59	FUSN-LHJ59	Spring
60	FUSN-LHJ60	Csk Socket Machine Screw
61	FUSN-LHJ61	Spring for Oil Drain Piston
62	FUSN-LHJ62	Oil Drain Bolt
63	FUSN-LHJ63	Oil Drain Piston
64	FUSN-LHJ64	O-Ring for Oil Drain Piston
65	FUSN-LHJ65	End Cover
66	FUSN-LHJ66	O-Ring
67	FUSN-LHJ67	T-Piece Adaptor
68	FUSN-LHJ68	Clamp Ring

NOTE: It is our policy to continually improve products and as such we reserve the right to alter data, specifications and component parts without prior notice. There may be alternative versions of this product, please contact us should you require this information.

IMPORTANT: No liability is accepted for incorrect use of product. Spare parts must be fitted by a competent person

WARRANTY: Guarantee is 12 months from purchase date, proof of which will be required for any claim.

Sealey Group, Kempson Way, Suffolk Business Park, Bury St Edmunds, Suffolk. IP32 7AR



01284 757500



sales@sealey.co.uk



www.sealey.co.uk