

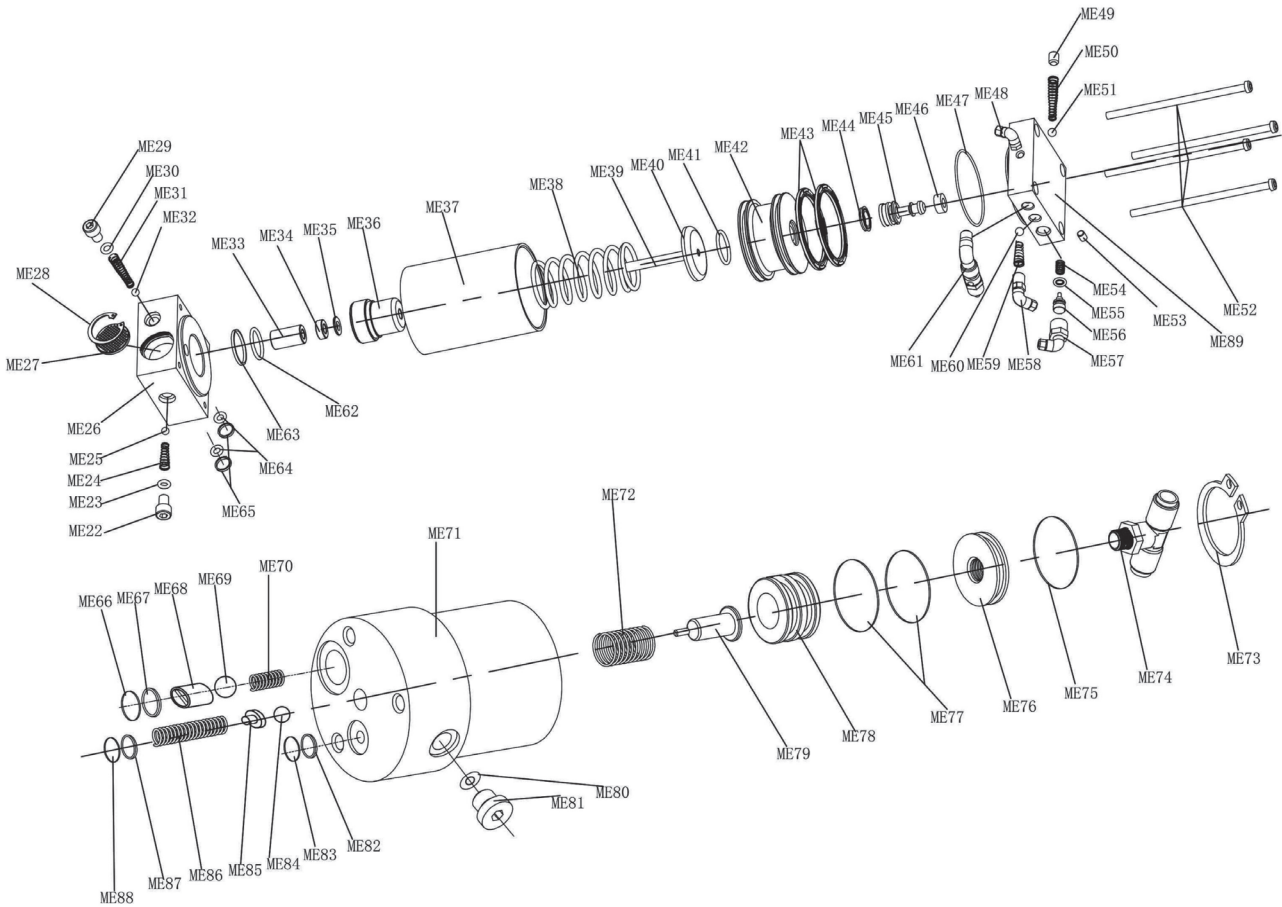
Item	Part No.	Description
E-301-1	FUSN-E301-1	Top Cover Screw
E-301-2	FUSN-E301-2	Washer
E302	FUSN-E302	Top Cover Ass'y
E302-1	FUSN-E302-1	Csk Socket Machine Screw
E302-2	FUSN-E302-2	Washer
E302-3	FUSN-E302-3	Top Cover
E302-4	FUSN-E302-4	O-Ring
E303	FUSN-E303	Oil Tank Ass'y

Item	Part No.	Description
E304	FUSN-E304	Inner Sleeve Ass'y & Base
E305	FUSN-E305	Saddle
E306	FUSN-E306	Piston Ass'y
E307	FUSN-E307	O-Ring
E308	FUSN-E308	Filter
E310	FUSN-E310	Csk Socket Machine Screw
E311	FUSN-E311	Csk Socket Machine Screw

NOTE: It is our policy to continually improve products and as such we reserve the right to alter data, specifications and component parts without prior notice.

IMPORTANT: No liability is accepted for incorrect use of product.

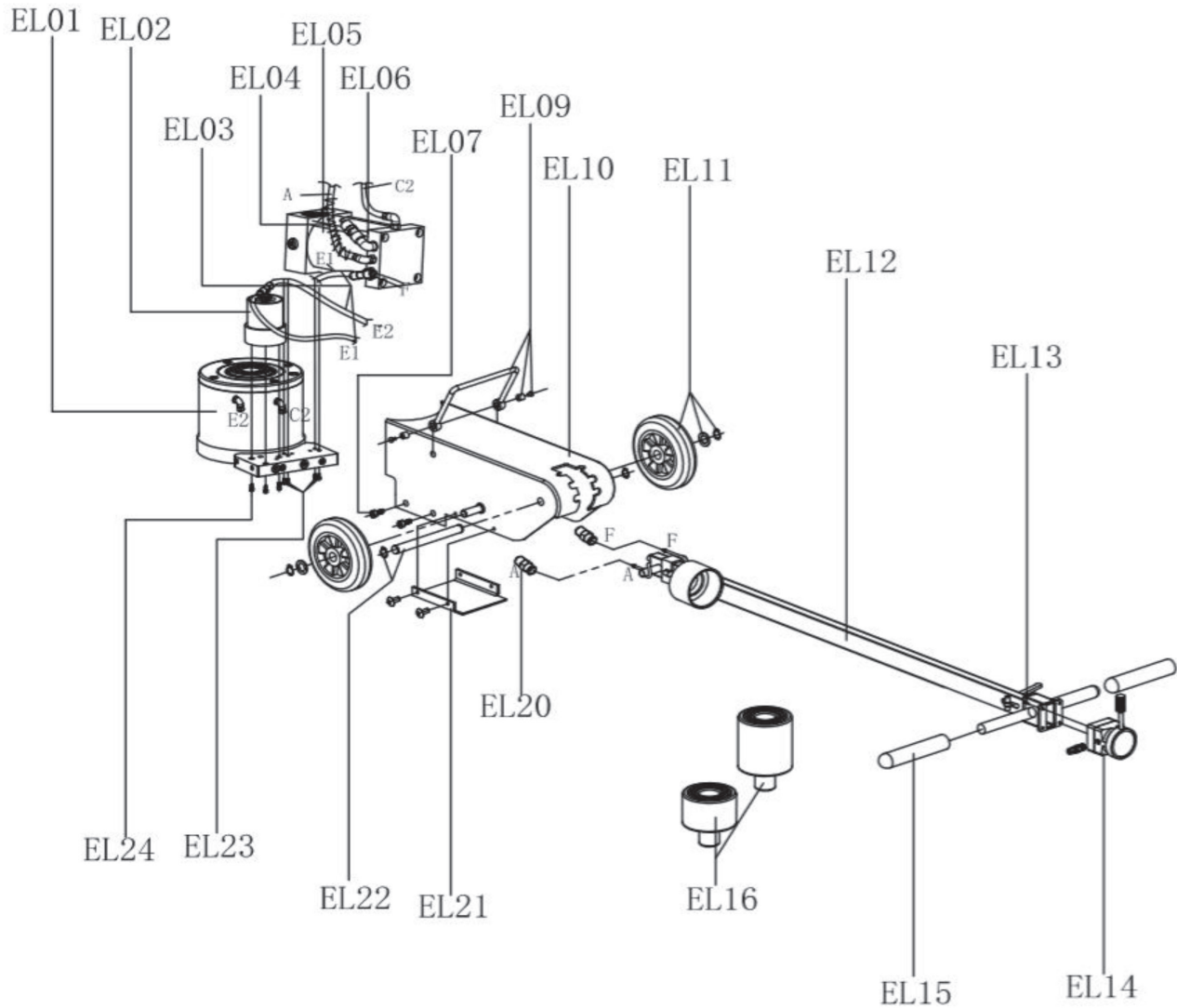
WARRANTY: Guarantee is 12 months from purchase date, proof of which will be required for any claim.



Item	Part No.	Description
ME22	YAJ1530F.ME22	Csk Socket Machine Screw
ME23	YAJ1530F.ME23	O-Ring
ME24	YAJ1530F.ME24	Spring
ME25	YAJ1530F.ME25	Steel Ball
ME26	YAJ1530F.ME26	Check Valve
ME27	YAJ1530F.ME27	Silencer
ME28	YAJ1530F.ME28	Retaining Ring
ME29	YAJ1530F.ME22	Csk Socket Machine Screw
ME30	YAJ1530F.ME30	O-Ring
ME31	YAJ1530F.ME31	Spring
ME32	YAJ1530F.ME32	Steel Ball
ME33	YAJ1530F.ME33	Guide Bushing
ME34	YAJ1530F.ME34	Spacer
ME35	YAJ1530F.ME35	Seal
ME36	YAJ1530F.ME36	Plunger Bushing
ME37	YAJ1530F.ME37	Air Cylinder
ME38	YAJ1530F.ME38	Spring
ME39	YAJ1530F.ME39	Plunger Rod Ass'Y (c/w Plunger Cover ME40)
ME40	YAJ1530F.ME40	Plunger Cover
ME41	YAJ1530F.ME41	O-Ring

Item	Part No.	Description
ME42	YAJ1530F.ME42	Piston
ME43	YAJ1530F.ME43	Sealing (PK)
ME44	YAJ1530F.ME44	Sealing (OE)
ME45	YAJ1530F.ME45	Piston
ME46	YAJ1530F.ME46	Rubber Cap
ME47	YAJ1530F.ME47	O-Ring
ME48	YAJ1530F.ME48	Elbow
ME49	YAJ1530F.ME49	Grub Screw
ME50	YAJ1530F.ME50	Spring
ME51	YAJ1530F.ME51	Rubber Ball
ME52	YAJ1530F.ME52	Screw
ME53	YAJ1530F.ME53	Grub Screw
ME54	YAJ1530F.ME54	Spring
ME55	YAJ1530F.ME55	O-Ring
ME56	YAJ1530F.ME56	Piston
ME57	YAJ1530F.ME57	T-Piece
ME58	YAJ1530F.ME58	Elbow
ME59	YAJ1530F.ME59	Spring
ME60	YAJ1530F.ME60	Rubber Ball
ME61	YAJ1530F.ME61	Elbow
ME62	YAJ1530F.ME62	O-Ring
ME63	YAJ1530F.ME63	Locking Ring
ME64	YAJ1530F.ME64	O-Ring
ME65	YAJ1530F.ME65	Locking Ring

Item	Part No.	Description
ME66	YAJ1530F.ME66	Locking Ring
ME67	YAJ1530F.ME67	Locking Ring
ME68	YAJ1530F.ME68	Steel Ball Seat
ME69	YAJ1530F.ME69	Steel Ball
ME70	YAJ1530F.ME70	Spring
ME71	YAJ1530F.ME71	Oil Drain Valve
ME72	YAJ1530F.ME72	Spring
ME73	YAJ1530F.ME73	Retaining Ring
ME74	YAJ1530F.ME74	T-Piece Connector
ME75	YAJ1530F.ME75	O-Ring
ME76	YAJ1530F.ME76	End Cover
ME77	YAJ1530F.ME77	O-Ring
ME78	YAJ1530F.ME78	Oil Drain Piston
ME79	YAJ1530F.ME79	Oil Drain Bolt
ME80	YAJ1530F.ME80	O-Ring
ME81	YAJ1530F.ME22	Screw Nut
ME82	YAJ1530F.ME82	Locking Ring
ME83	YAJ1530F.ME83	O-Ring
ME84	YAJ1530F.ME84	Steel Ball
ME85	YAJ1530F.ME85	Spring Base
ME86	YAJ1530F.ME86	Spring
ME87	YAJ1530F.ME87	Locking Ring
ME88	YAJ1530F.ME88	O-Ring
ME89	YAJ1530F.ME89	Air Inlet Base



Item	Part No.	Description
EL01	YAJ301.V2-100	Oil cylinder assembly
EL02	YAJ301.V2-101	Oil drain valve assembly
EL03	YAJ301.V2-102	Hose
EL04	YAJ301.V2-103	Spring
EL05	YAJ301.V2-104	Pump assembly
EL06	YAJ301.V2-105	Safe valve
EL07	YAJ301.V2-106	Screw
EL08	YAJ301.V2-107	Connector (y-shape)
EL09	YAJ301.V2-108	Handle set
EL10	YAJ301.V2-109	Tank
EL11	YAJ301.V2-110	Wheel set

Item	Part No.	Description
EL12	YAJ301.V2-111	Handle
EL13	YAJ301.V2-112	Screw
EL14	YAJ301.V2-113	Switch ass'y
EL15	YAJ301.V2-114	Handle grip
EL16	YAJ301.V2-115	Adaptors (pair)
EL20	YAJ301.V2-119	Connector
EL21	YAJ301.V2-120	Metal plate
EL22	YAJ301.V2-121	Wheel axle set
EL23	YAJ301.V2-122	Screws
EL24	YAJ301.V2-123	Screws

NOTE: It is our policy to continually improve products and as such we reserve the right to alter data, specifications and component parts without prior notice.

IMPORTANT: No liability is accepted for incorrect use of product.

WARRANTY: Guarantee is 12 months from purchase date, proof of which will be required for any claim.