

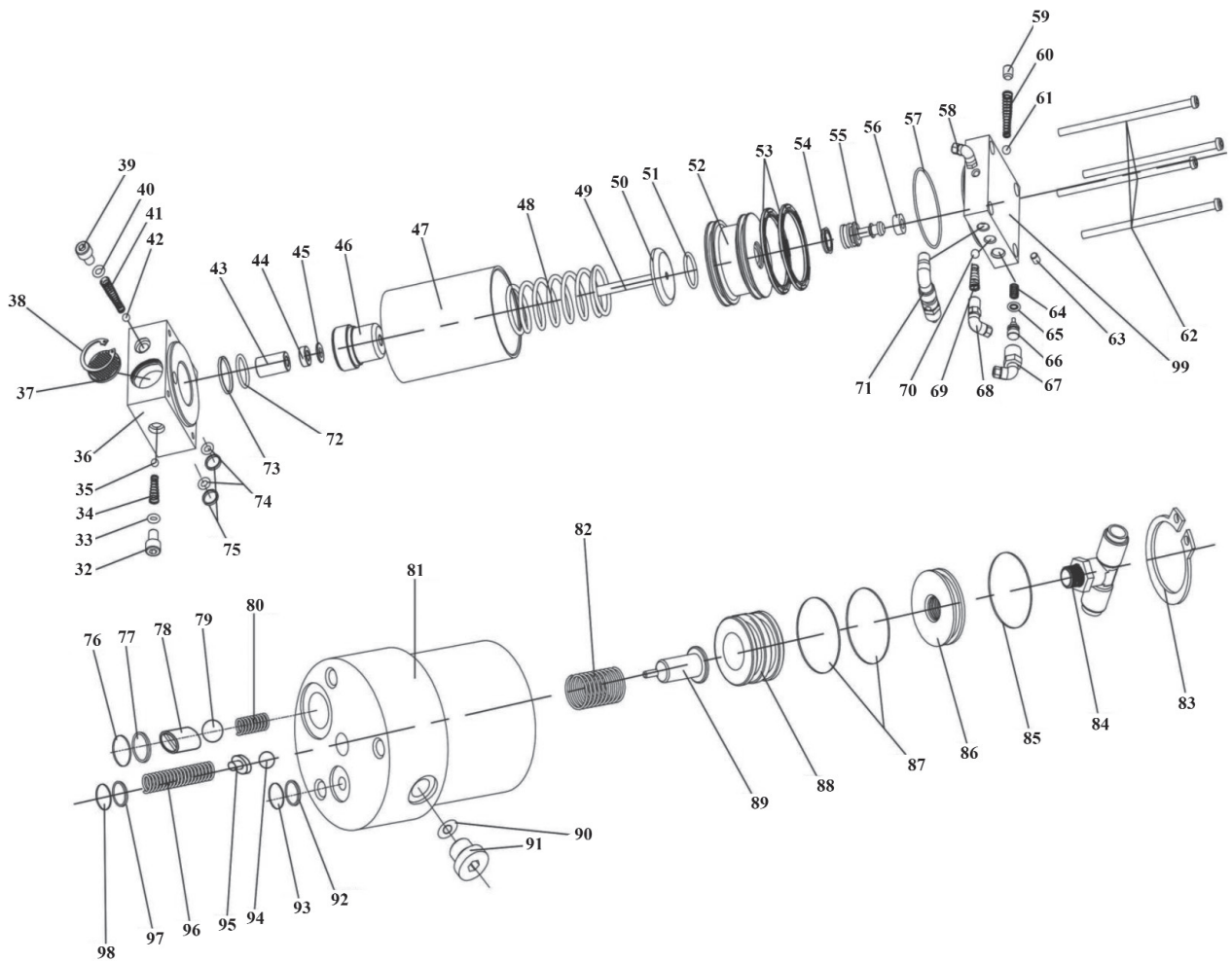
Item	Part No.	Description
1	YAJ301.V2-01	COVER
2	YAJ301.V2-02	O-RING (*)
3	YAJ301.V2-03	OIL TANK
4	YAJ301.V2-04	DUSTPROOF RING
5	YAJ301.V2-05	GUIDE RING
6	YAJ301.V2-06	O-RING (*)
7	YAJ301.V2-07	OUTER SLEEVE
8	YAJ301.V2-08	O-RING (*)
9	YAJ301.V2-09	LOCKING RING
10	YAJ301.V2-10	DUSTPROOF RING (*)
11	YAJ301.V2-11	GUIDE RING
12	YAJ301.V2-12	INNER SLEEVE
13	YAJ301.V2-13	SEAL (*)
14	YAJ301.V2-14	GUIDE RING
15	YAJ301.V2-15	TOP COVER
16	YAJ301.V2-16	PISTON

Item	Part No.	Description
17	YAJ301.V2-17	SEAL (*)
18	YAJ301.V2-18	GUIDE RING
19	YAJ301.V2-19	O-RING (*)
20	YAJ301.V2-20	BASE
21	YAJ301.V2-21	AIR HOSE
22	YAJ301.V2-22	AIR HOSE
23	YAJ301.V2-23	ELBOW
24	YAJ301.V2-24	FILTER NET
25	YAJ301.V2-25	O-RING (*)
26	YAJ301.V2-26	SCREW NUT
27	YAJ301.V2-27	SCREW
28	YAJ301.V2-28	O-RING (*)
29	YAJ301.V2-29	SCREW NUT
30	YAJ301.V2-30	SPACER
31	YAJ301.V2-31	SCREW
	YAJ301.V2-OCS	OIL CYLINDER SEALING (items marked '*')

NOTE: It is our policy to continually improve products and as such we reserve the right to alter data, specifications and component parts without prior notice.

IMPORTANT: No liability is accepted for incorrect use of product.

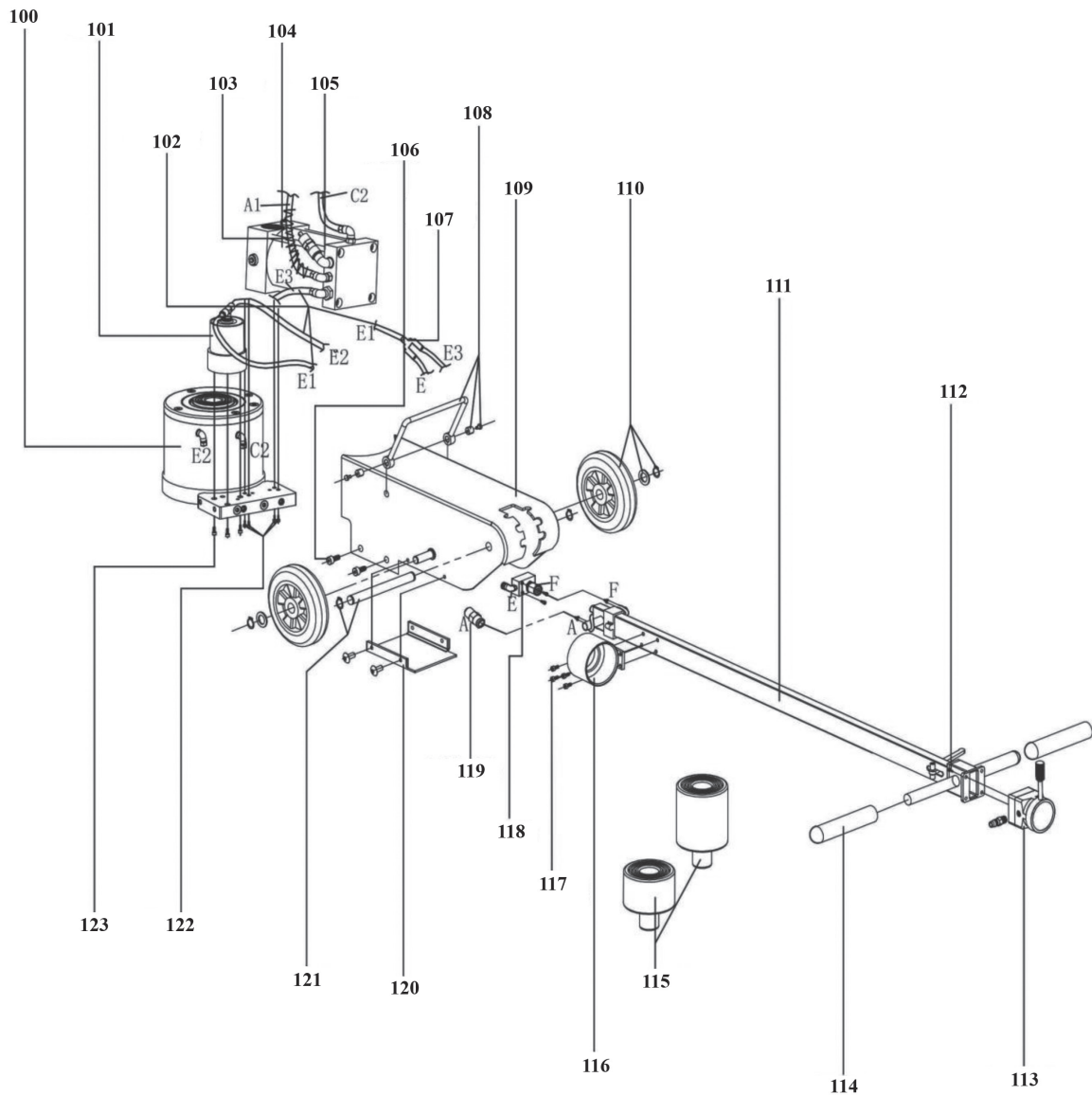
WARRANTY: Guarantee is 12 months from purchase date, proof of which will be required for any claim.



Item	Part No.	Description
32	YAJ301.V2-32	SCREW NUT
33	YAJ301.V2-33	O-RING
34	YAJ301.V2-34	SPRING
35	YAJ301.V2-35	STEEL BALL
36	YAJ301.V2-36	CHECK VALVE
37	YAJ301.V2-37	SILENCER PIECE
38	YAJ301.V2-38	CLAMP
39	YAJ301.V2-39	SCREW NUT
40	YAJ301.V2-40	O-RING
41	YAJ301.V2-41	SPRING
42	YAJ301.V2-42	STEEL BALL
43	YAJ301.V2-43	GUILDE BUSHING
44	YAJ301.V2-44	SPACER
45	YAJ301.V2-45	SEAL
46	YAJ301.V2-46	PLUNGER BUSHING
47	YAJ301.V2-47	AIR CYLINDER
48	YAJ301.V2-48	SPRING
49	YAJ301.V2-49	PLUNGER ROD
50	YAJ301.V2-50	PLUNGER COVER
51	YAJ301.V2-51	O-RING
52	YAJ301.V2-52	PISTON
53	YAJ301.V2-53	PK SEALING
54	YAJ301.V2-54	OE SEALING

Item	Part No.	Description
55	YAJ301.V2-55	PISTON
56	YAJ301.V2-56	RUBBER CAP
57	YAJ301.V2-57	O-RING
58	YAJ301.V2-58	ELBOW
59	YAJ301.V2-59	SCREW NUT
60	YAJ301.V2-60	SPRING
61	YAJ301.V2-61	RUBBER BALL
62	YAJ301.V2-62	SCREW
63	YAJ301.V2-63	SCREW NUT
64	YAJ301.V2-64	SPRING
65	YAJ301.V2-65	O-RING
66	YAJ301.V2-66	PISTON
67	YAJ301.V2-67	ELBOW
68	YAJ301.V2-68	ELBOW
69	YAJ301.V2-69	SPRING
70	YAJ301.V2-70	RUBBER BALL
71	YAJ301.V2-71	ELBOW
72	YAJ301.V2-72	O-RING
73	YAJ301.V2-73	LOCKING RING
74	YAJ301.V2-74	O-RING
75	YAJ301.V2-75	LOCKING RING
76	YAJ301.V2-76	O-RING
77	YAJ301.V2-77	LOCKING RING

Item	Part No.	Description
78	YAJ301.V2-78	STEEL BALL BULKHEAD
79	YAJ301.V2-79	STEEL BALL
80	YAJ301.V2-80	SPRING
81	YAJ301.V2-81	OIL DRAIN VALVE
82	YAJ301.V2-82	SPRING
83	YAJ301.V2-83	CLAMP
84	YAJ301.V2-84	T-PIECE
85	YAJ301.V2-85	O-RING
86	YAJ301.V2-86	END COVER
87	YAJ301.V2-87	O-RING
88	YAJ301.V2-88	OIL DRAIN PISTON
89	YAJ301.V2-89	OIL DRAIN BOLT
90	YAJ301.V2-90	O-RING
91	YAJ301.V2-91	SCREW NUT
92	YAJ301.V2-92	LOCKING RING
93	YAJ301.V2-93	O-RING
94	YAJ301.V2-94	STEEL BALL
95	YAJ301.V2-95	SCREW NUT
96	YAJ301.V2-96	SPRING
97	YAJ301.V2-97	LOCKING RING
98	YAJ301.V2-98	O-RING
99	YAJ301.V2-99	AIR INLET BASE



Item	Part No.	Description
100	YAJ301.V2-100	OIL CYLINDER ASSEMBLY
101	YAJ301.V2-101	OIL DRAIN VALVE ASSEMBLY
102	YAJ301.V2-102	HOSE
103	YAJ301.V2-103	SPRING
104	YAJ301.V2-104	PUMP ASSEMBLY
105	YAJ301.V2-105	SAFE VALVE
106	YAJ301.V2-106	SCREW
107	YAJ301.V2-107	CONNECTOR (Y-SHAPE)
108	YAJ301.V2-108	HANDLE SET
109	YAJ301.V2-109	TANK
110	YAJ301.V2-110	WHEEL SET
111	YAJ301.V2-111	HANDLE
112	YAJ301.V2-112	SCREW

Item	Part No.	Description
113	YAJ301.V2-113	SWITCH ASS'Y
114	YAJ301.V2-114	HANDLE GRIP
115	YAJ301.V2-115	ADAPTORS
116	YAJ301.V2-116	ADAPTOR TRAY
117	YAJ301.V2-117	SCREWS
118	YAJ301.V2-118	GAS CIRCUIT BLOCK
119	YAJ301.V2-119	CONNECTOR
120	YAJ301.V2-120	METAL PLATE
121	YAJ301.V2-121	WHEEL AXLE SET
122	YAJ301.V2-122	SCREWS
123	YAJ301.V2-123	SCREWS
--	YAJ301.V2-HC	HANDLE COMPLETE

NOTE: It is our policy to continually improve products and as such we reserve the right to alter data, specifications and component parts without prior notice.

IMPORTANT: No liability is accepted for incorrect use of product.

WARRANTY: Guarantee is 12 months from purchase date, proof of which will be required for any claim.