

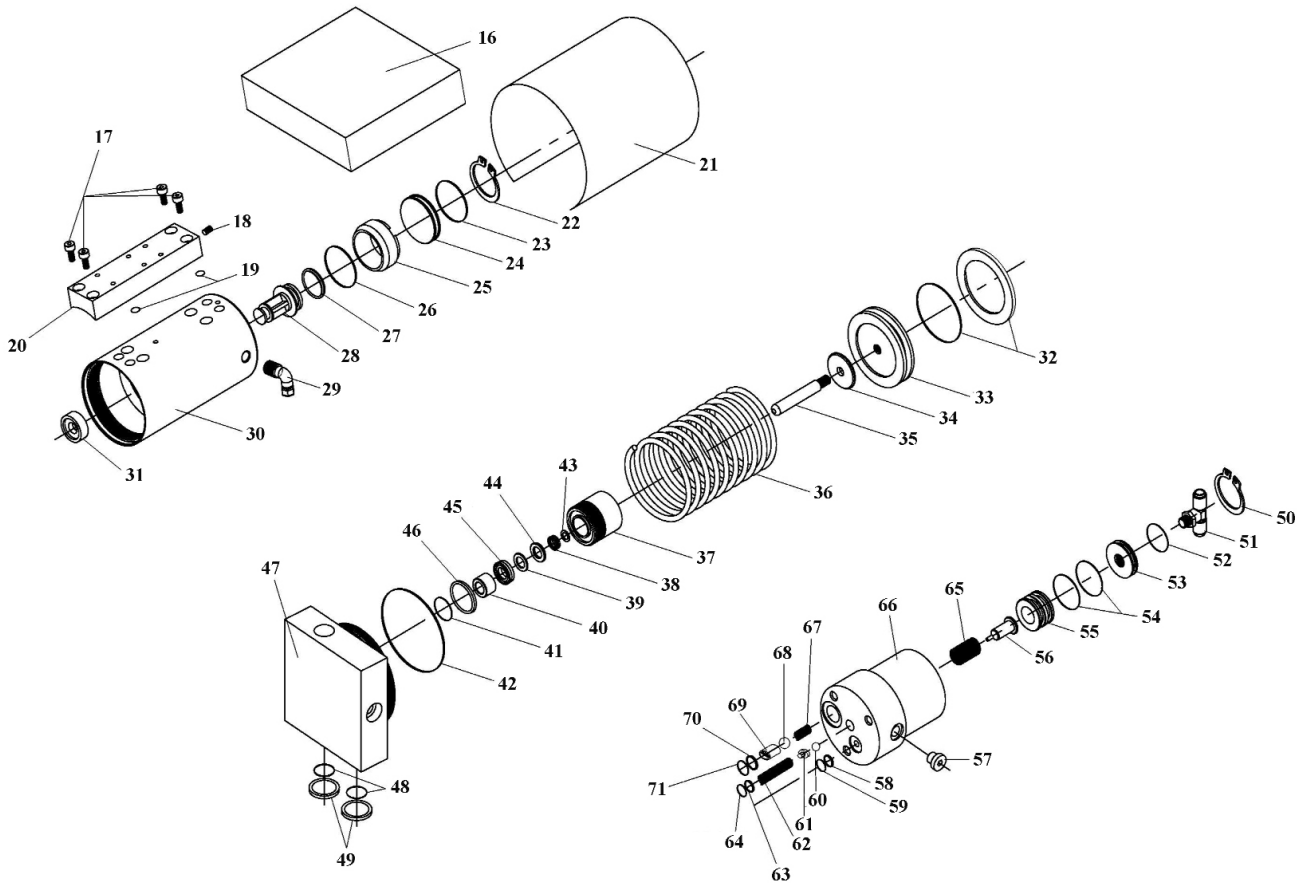
Item	Part No.	Description
1	YAJ301.01	COVER
2	YAJ301.02	O-RING
3	YAJ301.03	OIL TANK
4	YAJ301.04	DUSTPROOF RING
5	YAJ301.05	GUIDE RING
6	YAJ301.06	O-RING
7	YAJ301.07	OUTER SLEEVE
--	YAJ301.07A	OUTER SLEEVE ASS'Y (NOT SHOWN)
8	YAJ301.08	O-RING

Item	Part No.	Description
9	YAJ301.09	LOCKING RING
10	YAJ301.10	TOP COVER
11	YAJ301.11	PISTON
--	YAJ301.11A	PISTON ASS'Y (NOT SHOWN)
12	YAJ301.12	XTP SEALING
13	YAJ301.13	GUIDER RING
14	YAJ301.14	O-RING
15	YAJ301.15	BASE

NOTE: It is our policy to continually improve products and as such we reserve the right to alter data, specifications and component parts without prior notice.

IMPORTANT: No liability is accepted for incorrect use of product.

WARRANTY: Guarantee is 12 months from purchase date, proof of which will be required for any claim.



NOTE: It is our policy to continually improve products and as such we reserve the right to alter data, specifications and component parts without prior notice.

IMPORTANT: No liability is accepted for incorrect use of product.

WARRANTY: Guarantee is 12 months from purchase date, proof of which will be required for any claim.



Parts Information:
Air Operated Jack 30tonne - Single Stage
Model No: YAJ301

Item	Part No.	Description
16	YAJ301.16	FOAM PAD
17	YAJ301.17	SCREWS
18	YAJ301.18	SCREWS
19	YAJ301.19	O-RING
20	YAJ301.20	EXHAUST HOOD
21	YAJ301.21	PROTECTING COVER
22	YAJ301.22	RETAINING RING
23	YAJ301.23	O-RING
24	YAJ301.24	END COVER
25	YAJ301.25	INNER SLEEVE
26	YAJ301.26	O-RING
27	YAJ301.27	U-RING
28	YAJ301.28	PISTON
29	YAJ301.29	ELBOW
30	YAJ301.30	AIR CYLINDER
31	YAJ301.31	RUBBER CAP
32	YAJ301.32	OE SEAL
33	YAJ301.33	PISTON
34	YAJ301.34	SPACER
35	YAJ301.35	PLUNGER ROD
36	YAJ301.36	SPRING
37	YAJ301.37	OIL PUMP
38	YAJ301.38	SEAL
39	YAJ301.39	SPACER
40	YAJ301.40	GUIDE BUSHING
41	YAJ301.41	O-RING
42	YAJ301.42	O-RING
43	YAJ301.43	LOCKING RING

Item	Part No.	Description
44	YAJ301.44	SPACER
45	YAJ301.45	SEAL
46	YAJ301.46	LOCKING RING
47	YAJ301.47	PUMP BLOCK
48	YAJ301.48	O-RING
49	YAJ301.49	LOCKING RING
50	YAJ301.50	RETAINING RING
51	YAJ301.51	ELBOW
52	YAJ301.52	O-RING
53	YAJ301.53	END COVER
54	YAJ301.54	O-RING
55	YAJ301.55	OIL DRAIN PISTON
56	YAJ301.56	OIL DRAIN BOLT
57	YAJ301.57	SCREW
58	YAJ301.58	LOCKING RING
59	YAJ301.59	O-RING
60	YAJ301.60	STEEL BALL
61	YAJ301.61	STEEL BALL SEAT
62	YAJ301.62	SPRING
63	YAJ301.63	LOCKING RING
64	YAJ301.64	O-RING
65	YAJ301.65	SPRING
66	YAJ301.66	OIL DRAIN VALVE
67	YAJ301.67	SPRING
68	YAJ301.68	STEEL BALL
69	YAJ301.69	STEEL BALL BUSHING
70	YAJ301.70	LOCKING RING
71	YAJ301.71	O-RING

NOTE: It is our policy to continually improve products and as such we reserve the right to alter data, specifications and component parts without prior notice.

IMPORTANT: No liability is accepted for incorrect use of product.

WARRANTY: Guarantee is 12 months from purchase date, proof of which will be required for any claim.

Sealey Group, Kempson Way, Suffolk Business Park, Bury St Edmunds, Suffolk. IP32 7AR



01284 757500



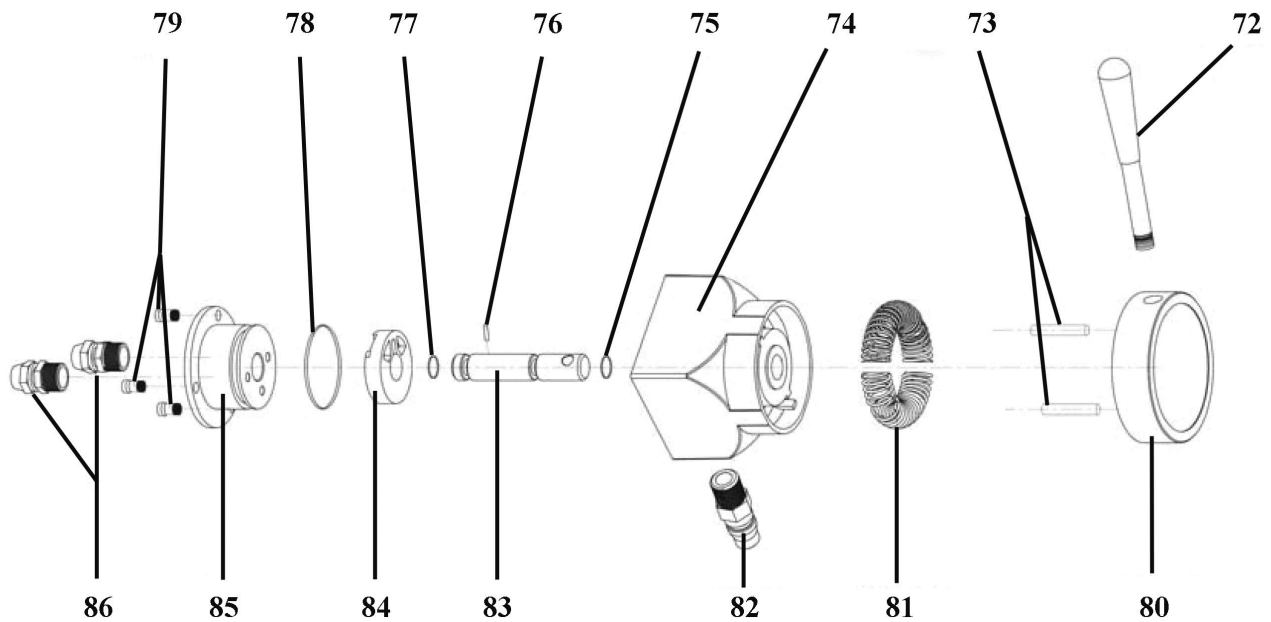
01284 703534



sales@sealey.co.uk



www.sealey.co.uk



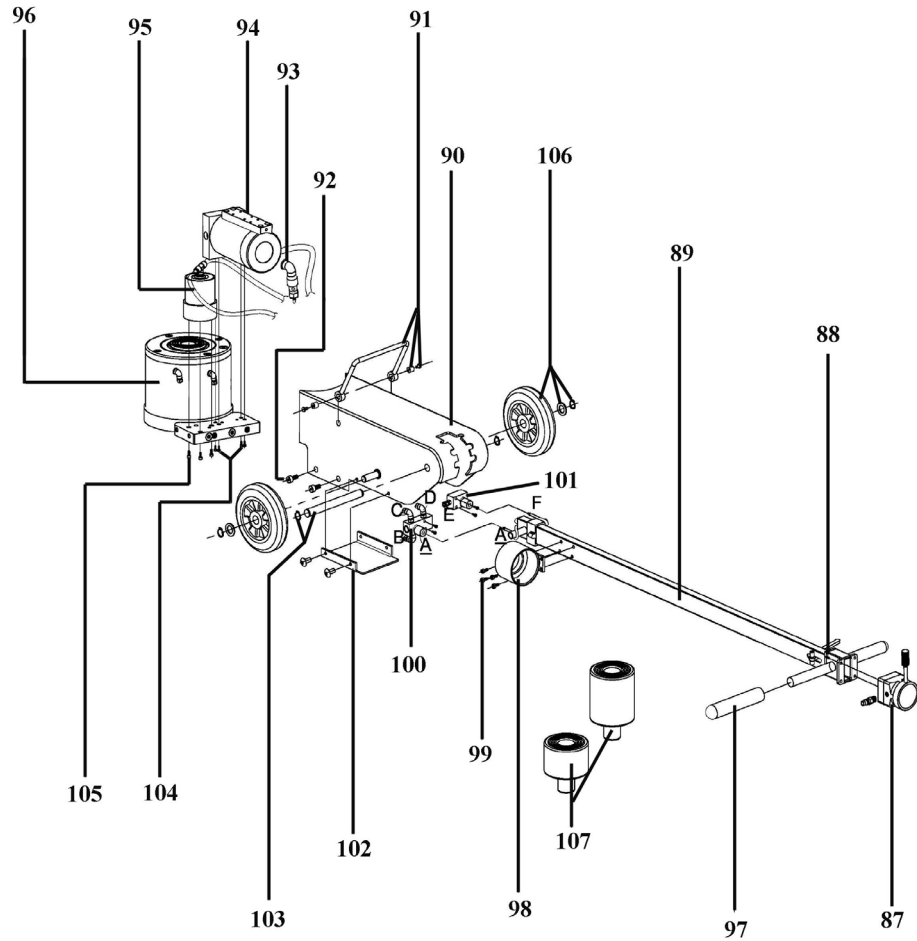
Item	Part No.	Description
72	YAJ301.72	SWITCH HANDLE
73	YAJ301.73	STRAIGHT PIN
74	YAJ301.74	VALVE BODY
75	YAJ301.75	O-RING
76	YAJ301.76	STRAIGHT PIN
77	YAJ301.77	O-RING
78	YAJ301.78	O-RING
79	YAJ301.79	SCREW

Item	Part No.	Description
80	YAJ301.80	SWITCH CAP
81	YAJ301.81	SPRING
82	YAJ301.82	ADAPTOR
83	YAJ301.83	CENTRAL SPINDLE
84	YAJ301.84	SWITCH VALVE PLATE
85	YAJ301.85	SWITCH PANEL BOARD
86	YAJ301.86	ADAPTOR

NOTE: It is our policy to continually improve products and as such we reserve the right to alter data, specifications and component parts without prior notice.

IMPORTANT: No liability is accepted for incorrect use of product.

WARRANTY: Guarantee is 12 months from purchase date, proof of which will be required for any claim.



Item	Part No.	Description
87	YAJ301.87	SWITCH
88	YAJ301.88	SCREW
89	YAJ301.89	HANDLE
90	YAJ301.90	TANK BODY
91	YAJ301.91	LIFTING HANDLE SETS
92	YAJ301.92	SCREWS
93	YAJ301.93	ELBOW
94	YAJ301.94	PUMP ASSEMBLY
95	YAJ301.95	OIL DRAIN VALVE ASSEMBLY
96	YAJ301.96	OIL CYLINDER ASSEMBLY
97	YAJ301.97	HANDLE GRIP

Item	Part No.	Description
98	YAJ301.98	ADAPTOR HOLDER
99	YAJ301.99	SCREW
100	YAJ301.100	CIRCUIT BLOCK
101	YAJ301.101	CIRCUIT BLOCK
102	YAJ301.102	BOTTOM COVER
103	YAJ301.103	WHEEL AXLE
104	YAJ301.104	SCREW
105	YAJ301.105	SCREW
106	YAJ301.106	WHEEL (c/w FIXINGS)
107	YAJ20-40DC.99	ADAPTORS (45mm & 75mm)
--	YAJ301.HC	HANDLE COMPLETE (NOT SHOWN)

NOTE: It is our policy to continually improve products and as such we reserve the right to alter data, specifications and component parts without prior notice.

IMPORTANT: No liability is accepted for incorrect use of product.

WARRANTY: Guarantee is 12 months from purchase date, proof of which will be required for any claim.