

| Item | Part No. | Description |
|------|---------------|--------------------------|
| 100 | YAJ301.V2-100 | Oil Cylinder Assembly |
| 101 | YAJ301.V2-101 | Oil Drain Valve Assembly |
| 102 | YAJ301.V2-102 | Hose |
| 103 | YAJ301.V2-103 | Spring |
| 104 | YAJ301.V2-104 | Pump Assembly |
| 105 | YAJ301.V2-105 | Safe Valve |
| 106 | YAJ301.V2-106 | Screw |
| 108 | YAJ301.V2-108 | Handle Set |
| 109 | YAJ301.V2-109 | Tank |
| 110 | YAJ301.V2-110 | Wheel Set |
| 111 | YAJ301.V2-111 | Handle |

| Item | Part No. | Description |
|------|---------------|--------------------------------|
| 112 | YAJ301.V2-112 | Screw |
| 113 | YAJ301.V2-113 | Switch Assembly |
| 114 | YAJ301.V2-114 | Handle Grip |
| 115 | YAJ301.V2-115 | Adaptors (Set of 2) |
| 119 | YAJ301.V2-119 | Connector |
| 120 | YAJ301.V2-120 | Metal Plate |
| 121 | YAJ301.V2-121 | Wheel Axle Set |
| 122 | YAJ301.V2-122 | Screws |
| 123 | YAJ301.V2-123 | Screws |
| -- | YAJ301.V2-107 | Connector, Y-Shape (Not Shown) |

NOTE: It is our policy to continually improve products and as such we reserve the right to alter data, specifications and component parts without prior notice. There may be alternative versions of this product, please contact us should you require this information.

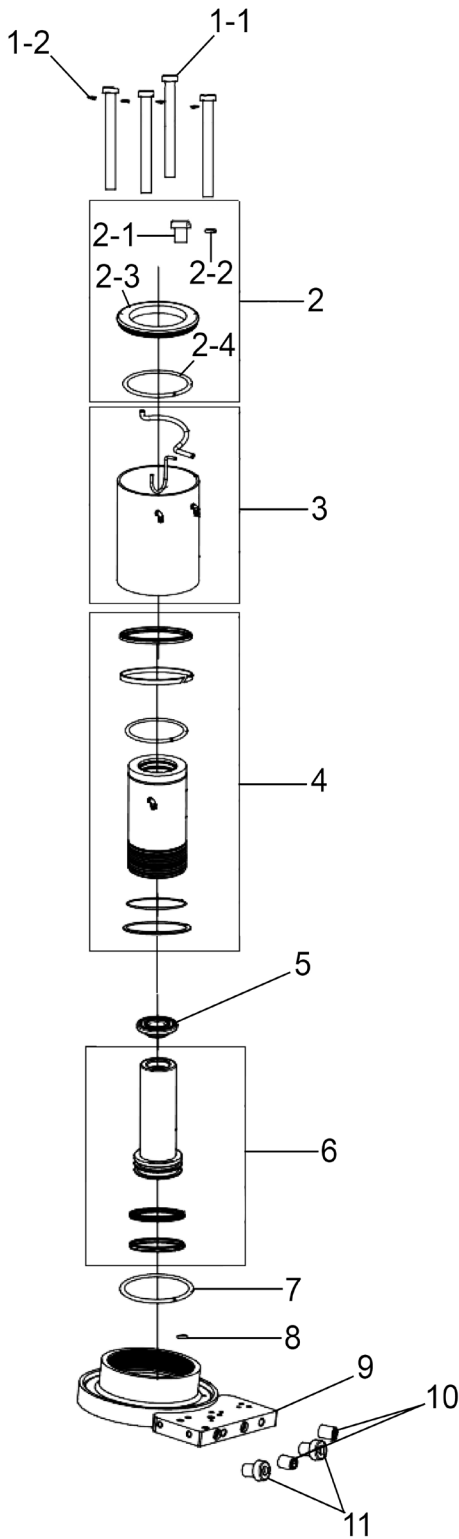
IMPORTANT: No liability is accepted for incorrect use of product. Spare parts must be fitted by a competent person

WARRANTY: Guarantee is 12 months from purchase date, proof of which will be required for any claim.



Parts Information:
Premier Air Operated Single Stage Jack 30 Tonne
Model No: YAJ301.V3

RAM ASSEMBLY



| Item | Part No. | Description |
|------|-------------|------------------------------|
| 1-1 | FUSN-E301-1 | Top Cover Screw |
| 1-2 | FUSN-E301-2 | Washer |
| 2 | FUSN-E302 | Top Cover Assembly |
| 2-1 | FUSN-E302-1 | Csk Socket Machine Screw |
| 2-2 | FUSN-E302-2 | Washer |
| 2-3 | FUSN-E302-3 | Top Cover |
| 2-4 | FUSN-E302-4 | O-Ring |
| 3 | FUSN-E303 | Oil Tank Assembly |
| 4 | FUSN-E304 | Inner Sleeve Assembly & Base |
| 5 | FUSN-E305 | Saddle |
| 6 | FUSN-E306 | Piston Assembly |
| 7 | FUSN-E307 | O-Ring |
| 8 | FUSN-E308 | Filter |
| 10 | FUSN-E310 | Csk Socket Machine Screw |
| 11 | FUSN-E311 | Csk Socket Machine Screw |

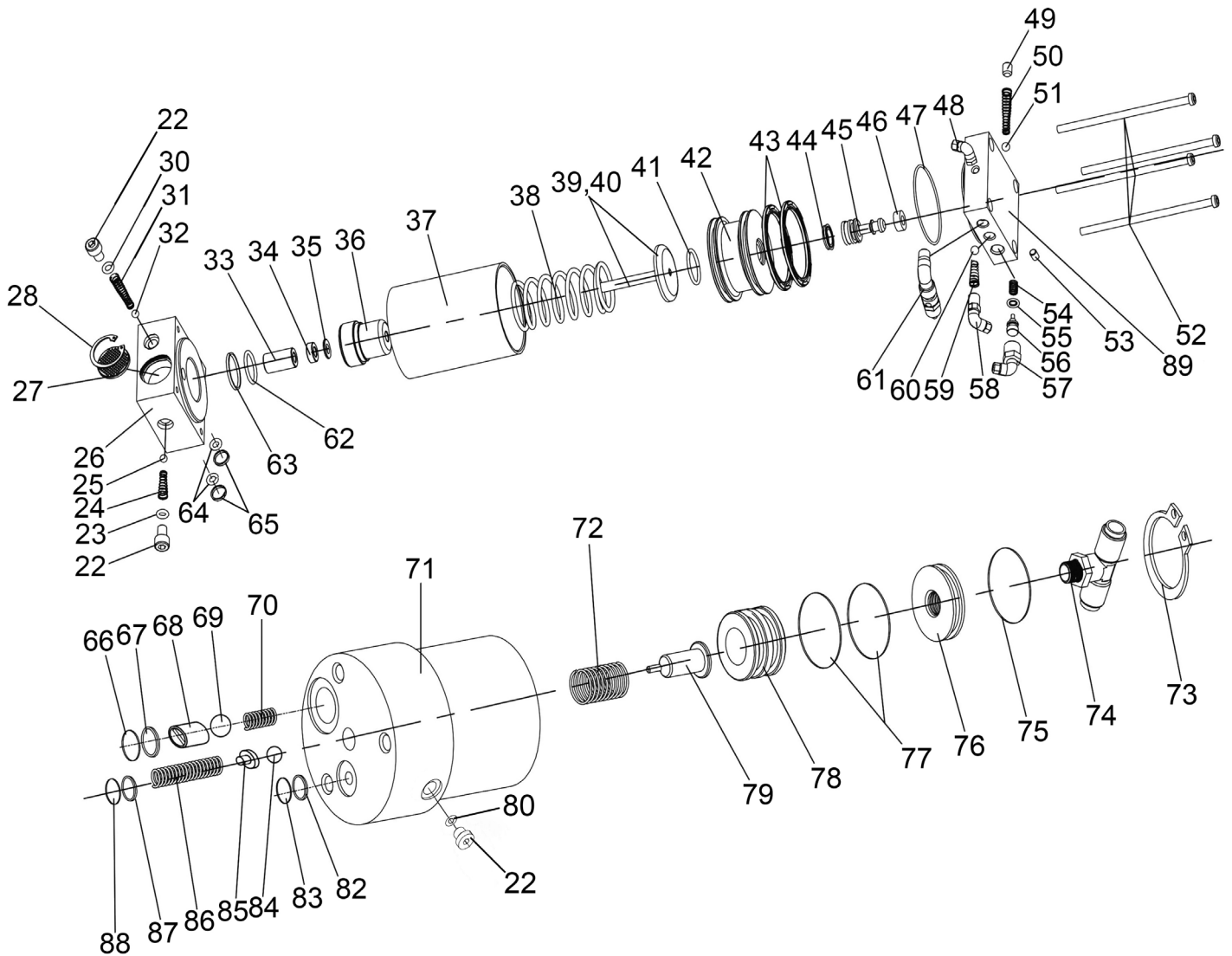
NOTE: It is our policy to continually improve products and as such we reserve the right to alter data, specifications and component parts without prior notice. There may be alternative versions of this product, please contact us should you require this information.

IMPORTANT: No liability is accepted for incorrect use of product. Spare parts must be fitted by a competent person

WARRANTY: Guarantee is 12 months from purchase date, proof of which will be required for any claim.



PUMP ASSEMBLY



| Item | Part No. | Description |
|------|---------------|--------------------|
| 22 | YAJ1530F.ME22 | Screw Nut |
| 23 | YAJ1530F.ME23 | Rubber Seal Washer |
| 24 | YAJ1530F.ME24 | Spring |
| 25 | YAJ1530F.ME25 | Steel Ball |
| 26 | YAJ1530F.ME26 | Check Valve |
| 27 | YAJ1530F.ME27 | Silencer |
| 28 | YAJ1530F.ME28 | Retaining Ring |
| 30 | YAJ1530F.ME30 | Rubber Seal Washer |
| 31 | YAJ1530F.ME31 | Spring |

| Item | Part No. | Description |
|------|---------------|------------------------------------------|
| 32 | YAJ1530F.ME32 | Steel Ball |
| 33 | YAJ1530F.ME33 | Guide Bushing |
| 34 | YAJ1530F.ME34 | Spacer |
| 35 | YAJ1530F.ME35 | Seal |
| 36 | YAJ1530F.ME36 | Plunger Bushing |
| 37 | YAJ1530F.ME37 | Air Cylinder |
| 38 | YAJ1530F.ME38 | Spring Ø 41mm |
| 39 | YAJ1530F.ME39 | Plunger Rod Assembly (c/w Plunger Cover) |
| 40 | YAJ1530F.ME40 | Plunger Cover |

NOTE: It is our policy to continually improve products and as such we reserve the right to alter data, specifications and component parts without prior notice. There may be alternative versions of this product, please contact us should you require this information.

IMPORTANT: No liability is accepted for incorrect use of product. Spare parts must be fitted by a competent person

WARRANTY: Guarantee is 12 months from purchase date, proof of which will be required for any claim.



Parts Information:
Premier Air Operated Single Stage Jack 30 Tonne
Model No: YAJ301.V3

| Item | Part No. | Description |
|------|---------------|----------------------|
| 41 | YAJ1530F.ME41 | O-Ring |
| 42 | YAJ1530F.ME42 | Piston |
| 43 | YAJ1530F.ME43 | Seal Ring (Set of 2) |
| 44 | YAJ1530F.ME44 | Seal Ring |
| 45 | YAJ1530F.ME45 | Piston |
| 46 | YAJ1530F.ME46 | Rubber Cap |
| 47 | YAJ1530F.ME47 | O-Ring |
| 48 | YAJ1530F.ME48 | Elbow |
| 49 | YAJ1530F.ME49 | Screw Nut |
| 50 | YAJ1530F.ME50 | Spring Ø 6.8mm |
| 51 | YAJ1530F.ME51 | Rubber Ball |
| 52 | YAJ1530F.ME52 | Screw |
| 53 | YAJ1530F.ME53 | Screw Nut |
| 54 | YAJ1530F.ME54 | Spring Ø 7.7mm |
| 55 | YAJ1530F.ME55 | O-Ring |
| 56 | YAJ1530F.ME56 | Piston |
| 57 | YAJ1530F.ME57 | T-Piece |
| 58 | YAJ1530F.ME58 | Elbow |
| 59 | YAJ1530F.ME59 | Spring, Conical |
| 60 | YAJ1530F.ME60 | Rubber Ball |
| 61 | YAJ1530F.ME61 | Elbow |
| 62 | YAJ1530F.ME62 | O-Ring |
| 63 | YAJ1530F.ME63 | Locking Ring |
| 64 | YAJ1530F.ME64 | O-Ring |

| Item | Part No. | Description |
|------|---------------|---------------------------------|
| 65 | YAJ1530F.ME65 | Locking Ring A |
| 66 | YAJ1530F.ME66 | Locking Ring B |
| 67 | YAJ1530F.ME67 | Locking Ring C |
| 68 | YAJ1530F.ME68 | Seat, Steel Ball |
| 69 | YAJ1530F.ME69 | Steel Ball |
| 70 | YAJ1530F.ME70 | Spring Ø 6.2mm |
| 71 | YAJ1530F.ME71 | Oil Drain Valve |
| 72 | YAJ1530F.ME72 | Spring Ø 16.4mm |
| 73 | YAJ1530F.ME73 | Retaining Ring |
| 74 | YAJ1530F.ME74 | T-Piece Connector |
| 75 | 2200HL.45 | O-Ring (55.71 x 50.47 x 2.62mm) |
| 76 | YAJ1530F.ME76 | End Cover |
| 77 | YAJ1530F.ME77 | O-Ring |
| 78 | YAJ1530F.ME78 | Oil Drain Piston |
| 79 | YAJ1530F.ME79 | Oil Drain Bolt |
| 80 | YAJ1530F.ME80 | Rubber Seal Washer |
| 82 | YAJ1530F.ME82 | Locking Ring |
| 83 | YAJ1530F.ME83 | O-Ring |
| 84 | YAJ1530F.ME84 | Steel Ball |
| 85 | YAJ1530F.ME85 | Spring Base |
| 86 | YAJ1530F.ME86 | Spring Ø 6.8mm |
| 87 | YAJ1530F.ME87 | Locking Ring |
| 88 | YAJ1530F.ME88 | O-Ring |
| 89 | YAJ1530F.ME89 | Air Inlet Base |

NOTE: It is our policy to continually improve products and as such we reserve the right to alter data, specifications and component parts without prior notice. There may be alternative versions of this product, please contact us should you require this information.

IMPORTANT: No liability is accepted for incorrect use of product. Spare parts must be fitted by a competent person

WARRANTY: Guarantee is 12 months from purchase date, proof of which will be required for any claim.

Sealey Group, Kempson Way, Suffolk Business Park, Bury St Edmunds, Suffolk. IP32 7AR



01284 757500



sales@sealey.co.uk



www.sealey.co.uk