

Item	Part No.	Description	Qty
1	YAJ201.S001	Oil Cylinder Assembly	1
2	YAJ201.S002	Oil Drain Valve Assembly	1
3	YAJ201.S003	Pump Assembly	1
4	YAJ201.S004	Air Hose 4mm x 6mm (1 metre)	3
5	YAJ201.S005	Tank Cover	1
6	BHSS55.SB	Button Head Socket Screw M5 x 5mm Black	2
7	YAJ201.S007	Wheel, Fixed (c/w Fixings)(162 x 45 x 20mm)	1
8	YAJ201.S008	Air Switch (c/w Lever)	1

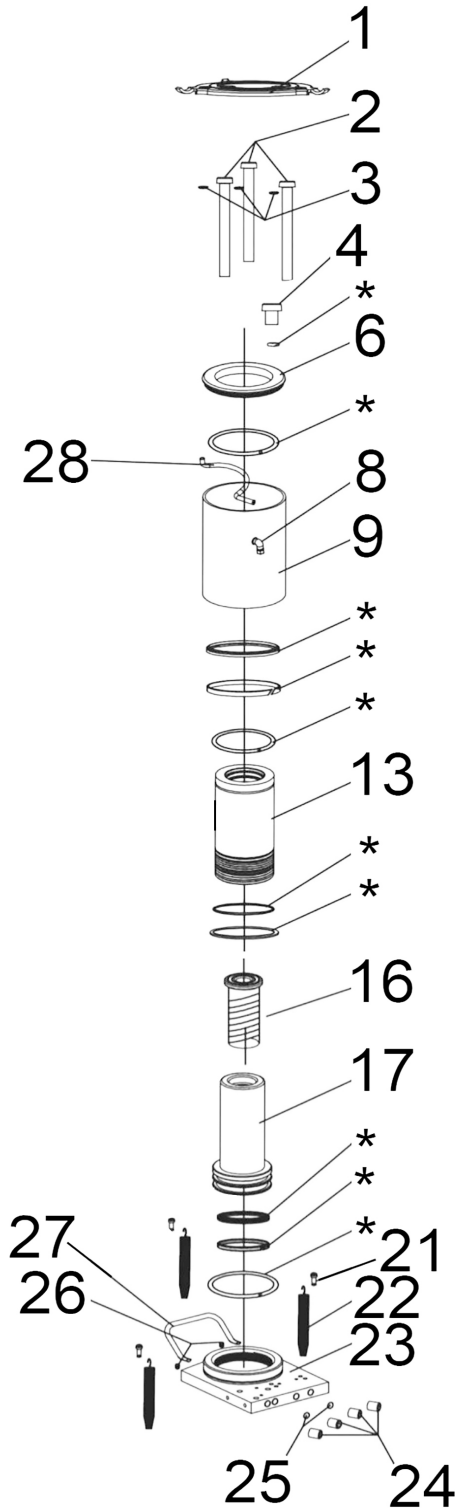
Item	Part No.	Description	Qty
9	YAJ201.S009	Jack Handle. Y-shaped W: 143mm	1
10	YAJ201.S010	Ram Extension Kit (20/50/100mm)	1
11	YAJ201.S011	Connector	2
12	YAJ201.S012	Tank	1
13	BHSS816.SB	Button Head Socket Screw M8 x 16mm Black	4
14	YAJ201.S014	Screw	4
15	YAJ201.S015	Screw	4
--	YAJ201.SRK	Seal Repair Kit (Not Shown)(See Diagram for Oil Cylinder Assembly)	1

NOTE: It is our policy to continually improve products and as such we reserve the right to alter data, specifications and component parts without prior notice. There may be alternative versions of this product, please contact us should you require this information.

IMPORTANT: No liability is accepted for incorrect use of product. Spare parts must be fitted by a competent person

WARRANTY: Guarantee is 12 months from purchase date, proof of which will be required for any claim.

Oil Cylinder Assembly



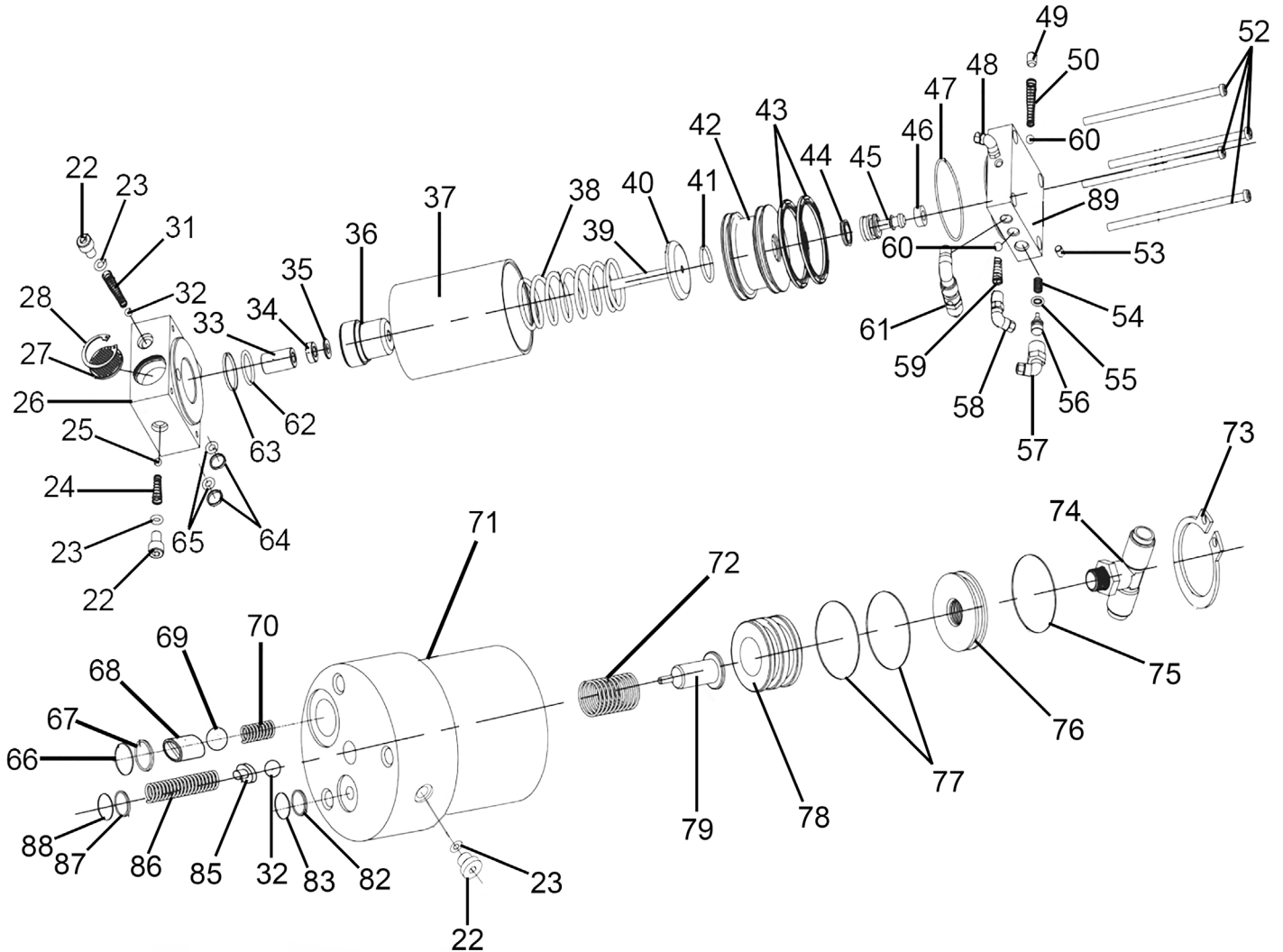
Item	Part No.	Description	Qty
1	YAJ201.S01	Top Cap	1
2	YAJ201.S02	Screw	3
3	YAJ201.S03	Spacer	3
4	YAJ201.S04	Screw Nut	1
6	YAJ201.S06	Oil Tank Cap	1
8	YAJ201.S08	Elbow	1
9	YAJ201.S09	Oil Tank	1
13	YAJ201.S13	Outer Sleeve	1
16	YAJ201.S16	Extension Screw	1
17	YAJ201.S17	Piston	1
21	YAJ201.S21	Screw	3
22	YAJ201.S22	Spring Ø 28mm	3
23	YAJ201.S23	Base	1
24	YAJ201.S24	Screw Nut	4
25	SB-8.0	Steel Ball 8.0mm	2
26	YAJ201.S26	Screw Nut	1
27	YAJ201.S27	Handle	1
28	YAJ201.S28	Air Hose	1
*	YAJ201.SRK	Seal Repair Kit (Parts 5, 7, 10-12, 14, 15 & 18-20)	1

NOTE: It is our policy to continually improve products and as such we reserve the right to alter data, specifications and component parts without prior notice. There may be alternative versions of this product, please contact us should you require this information.

IMPORTANT: No liability is accepted for incorrect use of product. Spare parts must be fitted by a competent person

WARRANTY: Guarantee is 12 months from purchase date, proof of which will be required for any claim.

Pump Assembly



Item	Part No.	Description	Qty
22	YAJ201.ME22	Screw Nut	3
23	YAJ201.ME23	Seal Washer, Rubber	2
24	YAJ201.ME24	Spring	1
25	YAJ201.ME25	Steel Ball	1
26	YAJ201.ME26	Check Valve	1
27	YAJ201.ME27	Silencer Piece	1
28	YAJ201.ME28	Clamp	1
31	YAJ201.ME31	Spring	1
32	SB-6.0	Steel Ball 6.0mm	2

Item	Part No.	Description	Qty
33	YAJ201.ME33	Guide Bushing	1
34	YAJ201.ME34	Seal	1
35	YAJ201.ME35	Seal	1
36	YAJ201.ME36	Plunger Bushing	1
37	YAJ201.ME37	Air Cylinder	1
38	YAJ201.ME38	Spring	1
39	YAJ201.ME39	Plunger Rod	1
40	YAJ201.ME40	Plunger Cover	1

NOTE: It is our policy to continually improve products and as such we reserve the right to alter data, specifications and component parts without prior notice. There may be alternative versions of this product, please contact us should you require this information.

IMPORTANT: No liability is accepted for incorrect use of product. Spare parts must be fitted by a competent person

WARRANTY: Guarantee is 12 months from purchase date, proof of which will be required for any claim.



Parts Information:
Air Operated Single Stage Jack 20 Tonne
Model No: YAJ201

Item	Part No.	Description	Qty
41	YAJ201.ME41	O-Ring	1
42	YAJ201.ME42	Piston	1
43	YAJ201.ME43	Seal (PK)	2
44	YAJ201.ME44	Seal (OE)	1
45	YAJ201.ME45	Piston	1
46	YAJ201.ME46	Rubber Cap	1
47	GSA6005.21	O-Ring (69.96 x 66.40 x 1.78mm)	1
48	YAJ201.ME48	Elbow	1
49	YAJ201.ME49	Screw Nut	1
50	YAJ201.ME50	Spring	1
52	YAJ201.ME52	Screw	4
53	YAJ201.ME53	Screw Nut	1
54	YAJ201.ME54	Spring	1
55	YAJ201.ME55	O-Ring	1
56	YAJ201.ME56	Piston	1
57	YAJ201.ME57	T-Connector	1
58	YAJ201.ME58	Elbow	1
59	YAJ201.ME59	Spring	1
60	YAJ201.ME60	Rubber Ball	2
61	YAJ201.ME61	Elbow	1
62	PBJ2S-04	O-Ring (28.71 x 23.47 x 2.62mm)	1
63	YAJ201.ME63	Locking Ring	1
64	GSA08.09-4	O-Ring (11.21 x 7.65 x 1.78mm)	2

Item	Part No.	Description	Qty
65	YAJ201.ME65	Locking Ring	2
66	YAJ201.ME66	O-Ring	1
67	YAJ201.ME67	Locking Ring	1
68	YAJ201.ME68	Steel Ball Seat	1
69	SB-8.0	Steel Ball 8.0mm	1
70	YAJ201.ME70	Spring	1
71	YAJ201.ME71	Oil Drain Valve	1
72	YAJ201.ME72	Spring	1
73	YAJ201.ME73	Clamp	1
74	YAJ201.ME74	T-Connector	1
75	YAJ201.ME75	O-Ring	1
76	YAJ201.ME76	End Cover	1
77	YAJ201.ME77	O-Ring	2
78	YAJ201.ME78	Oil Drain Piston	1
79	YAJ201.ME79	Oil Drain Bolt	1
82	YAJ201.ME82	Locking Ring	1
83	YAJ201.ME83	O-Ring	1
85	YAJ201.ME85	Screw Nut	1
86	YAJ201.ME86	Spring	1
87	YAJ201.ME87	Locking Ring	1
88	YAJ201.ME88	O-Ring	1
89	YAJ201.ME89	Air Inlet, Base	1

NOTE: It is our policy to continually improve products and as such we reserve the right to alter data, specifications and component parts without prior notice. There may be alternative versions of this product, please contact us should you require this information.

IMPORTANT: No liability is accepted for incorrect use of product. Spare parts must be fitted by a competent person

WARRANTY: Guarantee is 12 months from purchase date, proof of which will be required for any claim.

Sealey Group, Kempson Way, Suffolk Business Park, Bury St Edmunds, Suffolk. IP32 7AR



01284 757500



sales@sealey.co.uk



www.sealey.co.uk