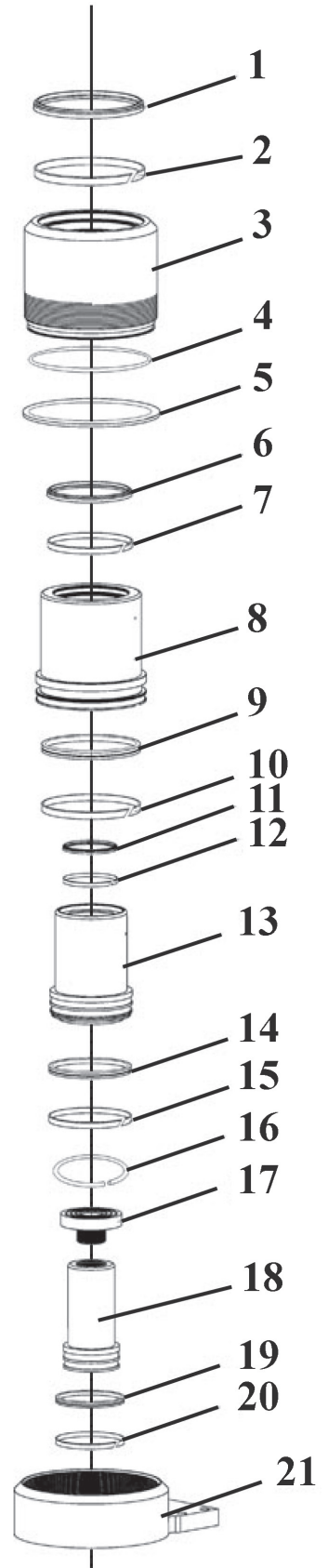


Oil Cylinder Assembly

Item	Part No.	Description
1	YAJ20-60LR.01	DUSTPROOF RING
2	YAJ20-60LR.02	GUIDE RING
3	YAJ20-60LR.03	OUTER SLEEVE
4	YAJ20-60LR.04	O-RING
5	YAJ20-60LR.05	LOCKING RING
6	YAJ20-60LR.06	DUSTPROOF RING
7	YAJ20-60LR.07	GUIDE RING
8	YAJ20-60LR.08	INNER SLEEVE
9	YAJ20-60LR.09	SEAL RING
10	YAJ20-60LR.10	GUIDE RING
11	YAJ20-60LR.11	DUSTPROOF RING
12	YAJ20-60LR.12	GUIDE RING
13	YAJ20-60LR.13	INNER SLEEVE
14	YAJ20-60LR.14	SEAL RING
15	YAJ20-60LR.15	GUIDE RING
16	YAJ20-60LR.16	SPRING WASHER
17	YAJ20-60LR.17	TOP COVER
18	YAJ20-60LR.18	PISTON
19	YAJ20-60LR.19	SEAL RING
20	YAJ20-60LR.20	GUIDE RING
21	YAJ20-60LR.21	BASE

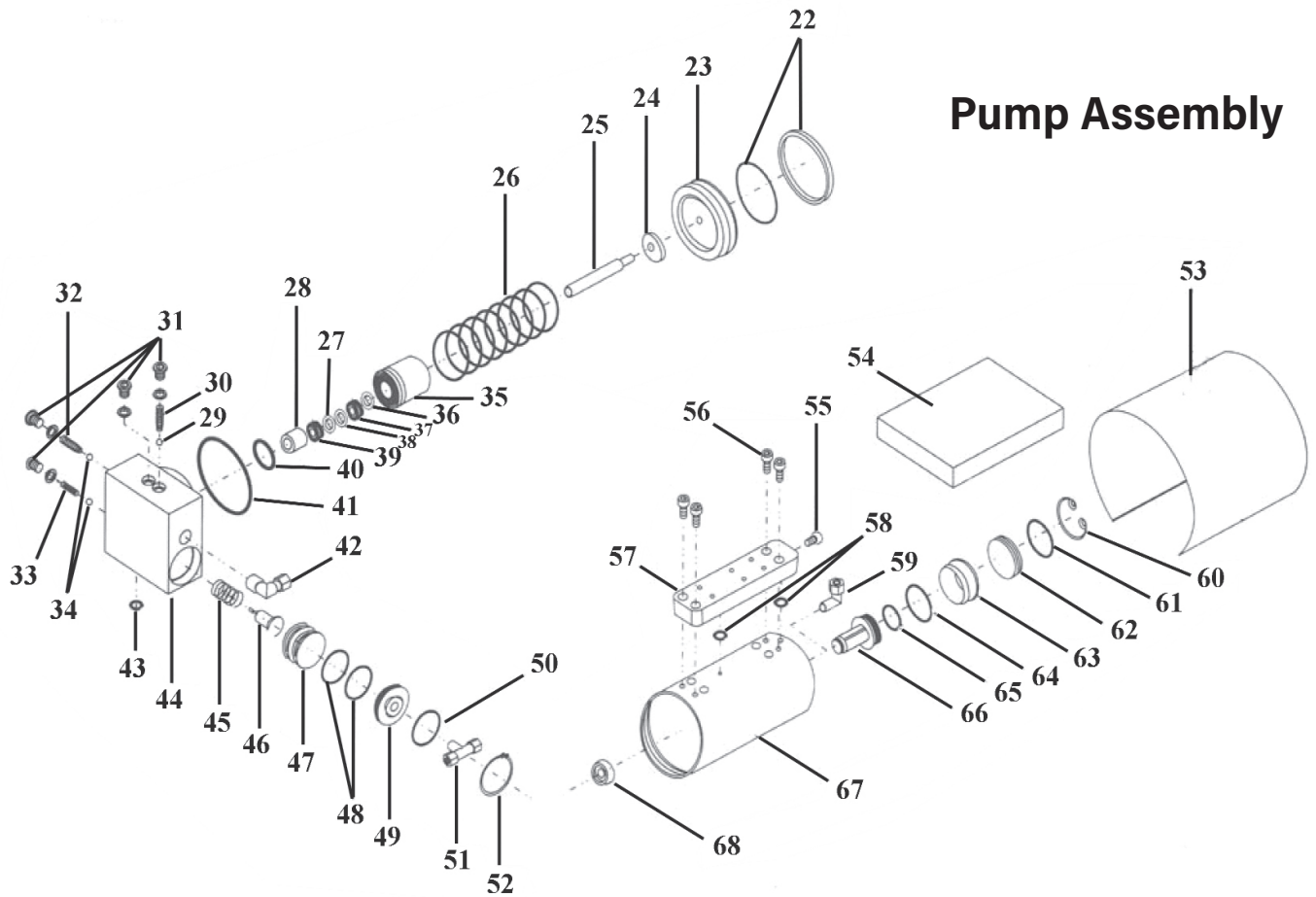


NOTE: It is our policy to continually improve products and as such we reserve the right to alter data, specifications and component parts without prior notice.

IMPORTANT: No liability is accepted for incorrect use of product.

WARRANTY: Guarantee is 12 months from purchase date, proof of which will be required for any claim.

Parts Information:
Air Operated Jack 60tonne
Telescopic - Long Reach Low Entry
Model No: YAJ20-60LR



Pump Assembly

Item	Part No.	Description
22	YAJ20-60LR.22	OE SEAL
23	YAJ20-60LR.23	PISTON
24	YAJ20-60LR.24	SPACER
25	YAJ20-60LR.25	PLUNGER ROD
26	YAJ20-60LR.26	SPRING
27	YAJ20-60LR.27	SPACER
28	YAJ20-60LR.28	GUIDE SLEEVE
29	YAJ20-60LR.29	STEEL BALL
30	YAJ20-60LR.30	SPRING
31	YAJ20-60LR.31	SCREW
32	YAJ20-60LR.32	SPRING
33	YAJ20-60LR.33	SPRING
34	YAJ20-60LR.34	STEEL BALL
35	YAJ20-60LR.35	OIL PUMP
36	YAJ20-60LR.36	LOCK RING
37	YAJ20-60LR.37	SEAL

Item	Part No.	Description
38	YAJ20-60LR.38	SPACER
39	YAJ20-60LR.39	SEAL
40	YAJ20-60LR.40	O-RING
41	YAJ20-60LR.41	O-RING
42	YAJ20-60LR.42	ELBOW
43	YAJ20-60LR.43	O-RING
44	YAJ20-60LR.44	PUMP BLOCK
45	YAJ20-60LR.45	SPRING
46	YAJ20-60LR.46	OIL DRAIN BOLT
47	YAJ20-60LR.47	OIL DRAIN PISTON
48	YAJ20-60LR.48	O-RING
49	YAJ20-60LR.49	END COVER
50	YAJ20-60LR.50	O-RING
51	YAJ20-60LR.51	T-PIECE
52	YAJ20-60LR.52	RETAINING RING
53	YAJ20-60LR.53	PROTECTING COVER

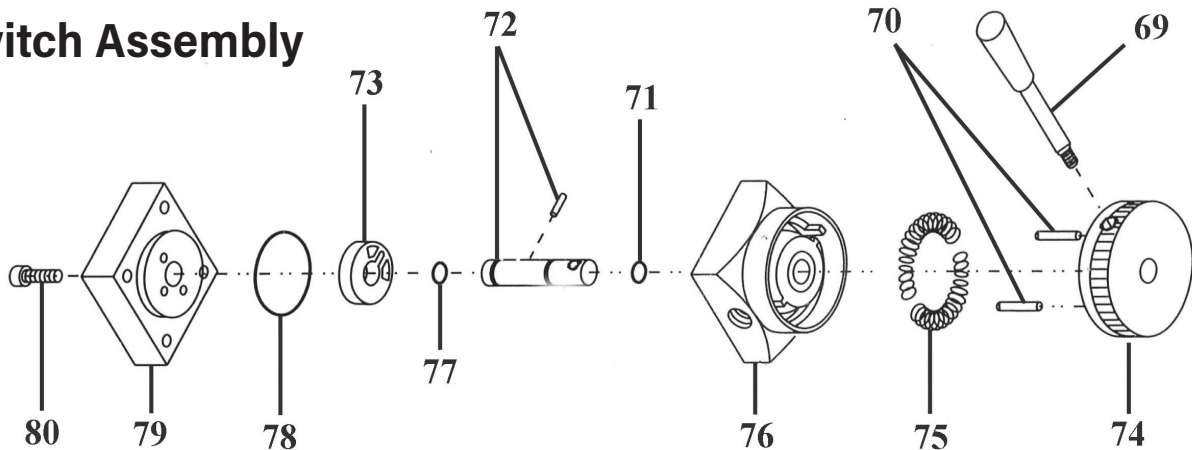
Item	Part No.	Description
54	YAJ20-60LR.54	FOAM PAD
55	YAJ20-60LR.55	SCREW
56	YAJ20-60LR.56	SCREW
57	YAJ20-60LR.57	PROTECTING COVER
58	YAJ20-60LR.58	O-RING
59	YAJ20-60LR.59	ELBOW
60	YAJ20-60LR.60	RETAINING RING
61	YAJ20-60LR.61	O-RING
62	YAJ20-60LR.62	END COVER
63	YAJ20-60LR.63	INNER SLEEVE
64	YAJ20-60LR.64	O-RING
65	YAJ20-60LR.65	O-RING
66	YAJ20-60LR.66	PISTON
67	YAJ20-60LR.67	AIR CYLINDER
68	YAJ20-60LR.68	RUBBER CAP

NOTE: It is our policy to continually improve products and as such we reserve the right to alter data, specifications and component parts without prior notice.

IMPORTANT: No liability is accepted for incorrect use of product.

WARRANTY: Guarantee is 12 months from purchase date, proof of which will be required for any claim.

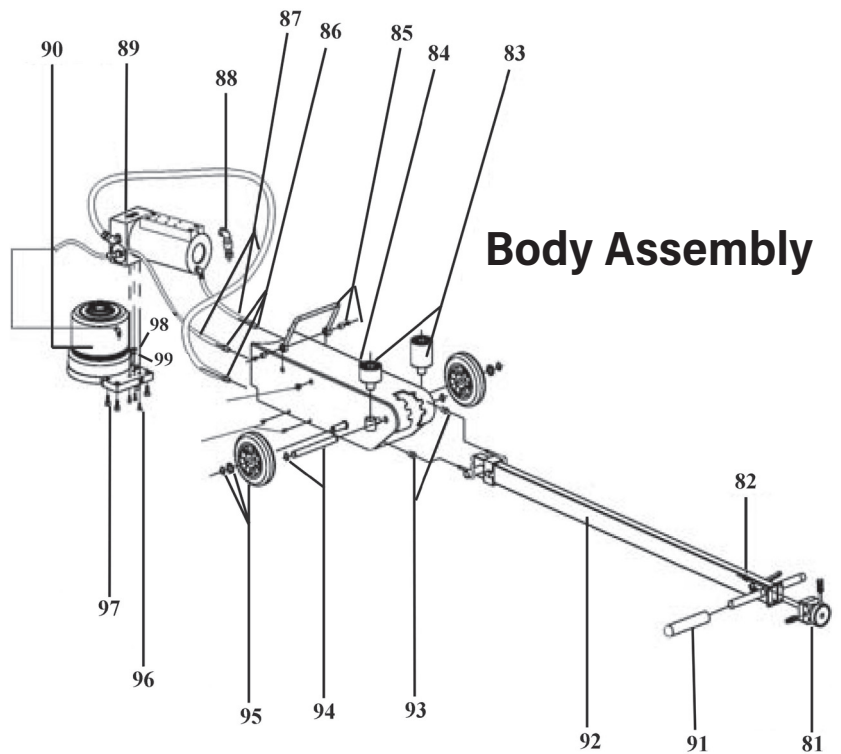
Switch Assembly



Item	Part No.	Description
69	YAJ20-60LR.69	HANDLE
70	YAJ20-60LR.70	STRAIGHT PIN
71	YAJ20-60LR.71	O-RING
72	YAJ20-60LR.72	SPINDLE (c/w PIN)
73	YAJ20-60LR.73	VALVE BASE
74	YAJ20-60LR.74	SWITCH CAP

Item	Part No.	Description
75	YAJ20-60LR.75	SPRING
76	YAJ20-60LR.76	VALVE BODY
77	YAJ20-60LR.77	O-RING
78	YAJ20-60LR.78	O-RING
79	YAJ20-60LR.79	VALVE BASE
80	YAJ20-60LR.80	SCREW

Item	Part No.	Description
81	YAJ20-60LR.81	SWITCH SET
82	YAJ20-60LR.82	SCREW
83	YAJ20-40DC.99	ADAPTORS
84	YAJ20-60LR.84	TANK BODY
85	YAJ20-60LR.85	LIFTING HANDLE SET
86	YAJ20-60LR.86	HOSE ADAPTOR
87	YAJ20-60LR.87	AIR PIPE & OIL HOSE
88	YAJ20-60LR.88	ELBOW
89	YAJ20-60LR.89	PUMP ASS'Y
90	YAJ20-60LR.90	OIL CYLINDER ASS'Y
91	YAJ20-60LR.91	HANDLE GRIP
92	YAJ20-60LR.92	HANDLE
93	YAJ20-60LR.93	SCREW
94	YAJ20-60LR.94	WHEEL AXLE
95	YAJ20-60LR.95	WHEEL (c/w FIXING)
96	YAJ20-60LR.96	SCREW
97	YAJ20-60LR.97	SCREW
98	YAJ20-60LR.98	O-RING
99	YAJ20-60LR.99	LOCK RING



NOTE: It is our policy to continually improve products and as such we reserve the right to alter data, specifications and component parts without prior notice.

IMPORTANT: No liability is accepted for incorrect use of product.

WARRANTY: Guarantee is 12 months from purchase date, proof of which will be required for any claim.