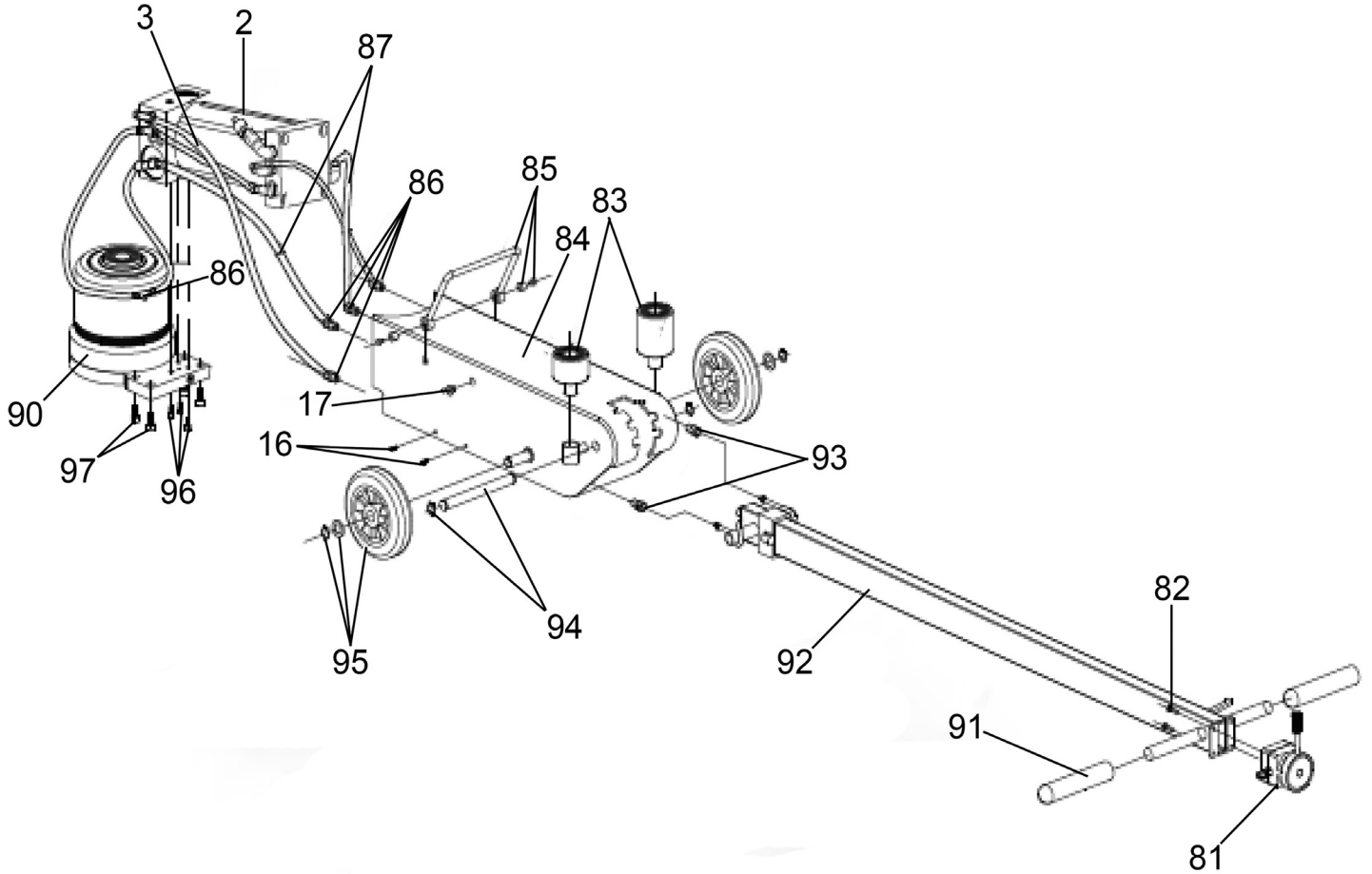


Parts Information:
**Long Reach/Low Profile Air Operated
 Telescopic Jack 20-60 Tonne
 Model No: YAJ20-60LR.V2**



Item	Part No.	Description
2	FUSN-J002	Pump Assembly
3	FUSN-J003	Oil Hose
16	FUSN-J016	Button Head Socket Screw
17	FUSN-J017	Button Head Socket Screw
81	YAJ20-60LR.81	Air Switch Assembly
82	YAJ20-60LR.82	Screw
83	YAJ20-40DC.99	Adaptors (45mm & 75mm)
84	YAJ20-60LR.84	Tank Body
85	YAJ20-60LR.85	Lifting Handle Set
86	YAJ20-60LR.86	Hose Adaptor

Item	Part No.	Description
87	YAJ20-60LR.87	Air Pipe & Oil Hose
90	YAJ20-60LR.90	Oil Cylinder Assembly
91	YAJ20-60LR.91	Handle Grip
92	YAJ20-60LR.92	Handle
93	YAJ20-60LR.93	Screw
94	YAJ20-60LR.94	Wheel Axle
95	YAJ20-60LR.95	Wheel (c/w Fixing)
96	YAJ20-60LR.96	Screw
97	YAJ20-60LR.97	Screw

NOTE: It is our policy to continually improve products and as such we reserve the right to alter data, specifications and component parts without prior notice. There may be alternative versions of this product, please contact us should you require this information.

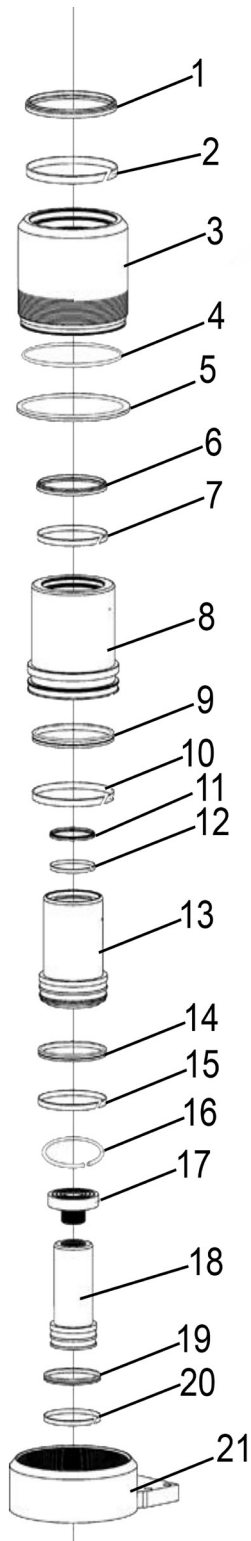
IMPORTANT: No liability is accepted for incorrect use of product. Spare parts must be fitted by a competent person

WARRANTY: Guarantee is 12 months from purchase date, proof of which will be required for any claim.



Parts Information:
**Long Reach/Low Profile Air Operated
 Telescopic Jack 20-60 Tonne
 Model No: YAJ20-60LR.V2**

Oil Cylinder Assembly



Item	Part No.	Description
1	YAJ20-60LR.01	Dustproof Ring
2	YAJ20-60LR.02	Guide Ring
3	YAJ20-60LR.03	Outer Sleeve
4	YAJ20-60LR.04	O-Ring (171.75 x 164.69 x 3.53mm)
5	YAJ20-60LR.05	Locking Ring
6	YAJ20-60LR.06	Dustproof Ring
7	YAJ20-60LR.07	Guide Ring
8	YAJ20-60LR.08	Inner Sleeve
9	YAJ20-60LR.09	Seal Ring
10	YAJ20-60LR.10	Guide Ring
11	YAJ20-60LR.11	Dustproof Ring
12	YAJ20-60LR.12	Guide Ring
13	YAJ20-60LR.13	Inner Sleeve
14	YAJ20-60LR.14	Seal Ring
15	YAJ20-60LR.15	Guide Ring
16	YAJ20-60LR.16	Spring Washer
17	YAJ20-60LR.17	Top Cover
18	YAJ20-60LR.18	Piston
19	YAJ20-60LR.19	Seal Ring
20	YAJ20-60LR.20	Guide Ring
21	YAJ20-60LR.21	Base

NOTE: It is our policy to continually improve products and as such we reserve the right to alter data, specifications and component parts without prior notice. There may be alternative versions of this product, please contact us should you require this information.

IMPORTANT: No liability is accepted for incorrect use of product. Spare parts must be fitted by a competent person

WARRANTY: Guarantee is 12 months from purchase date, proof of which will be required for any claim.

Sealey Group, Kempson Way, Suffolk Business Park, Bury St Edmunds, Suffolk. IP32 7AR



01284 757500

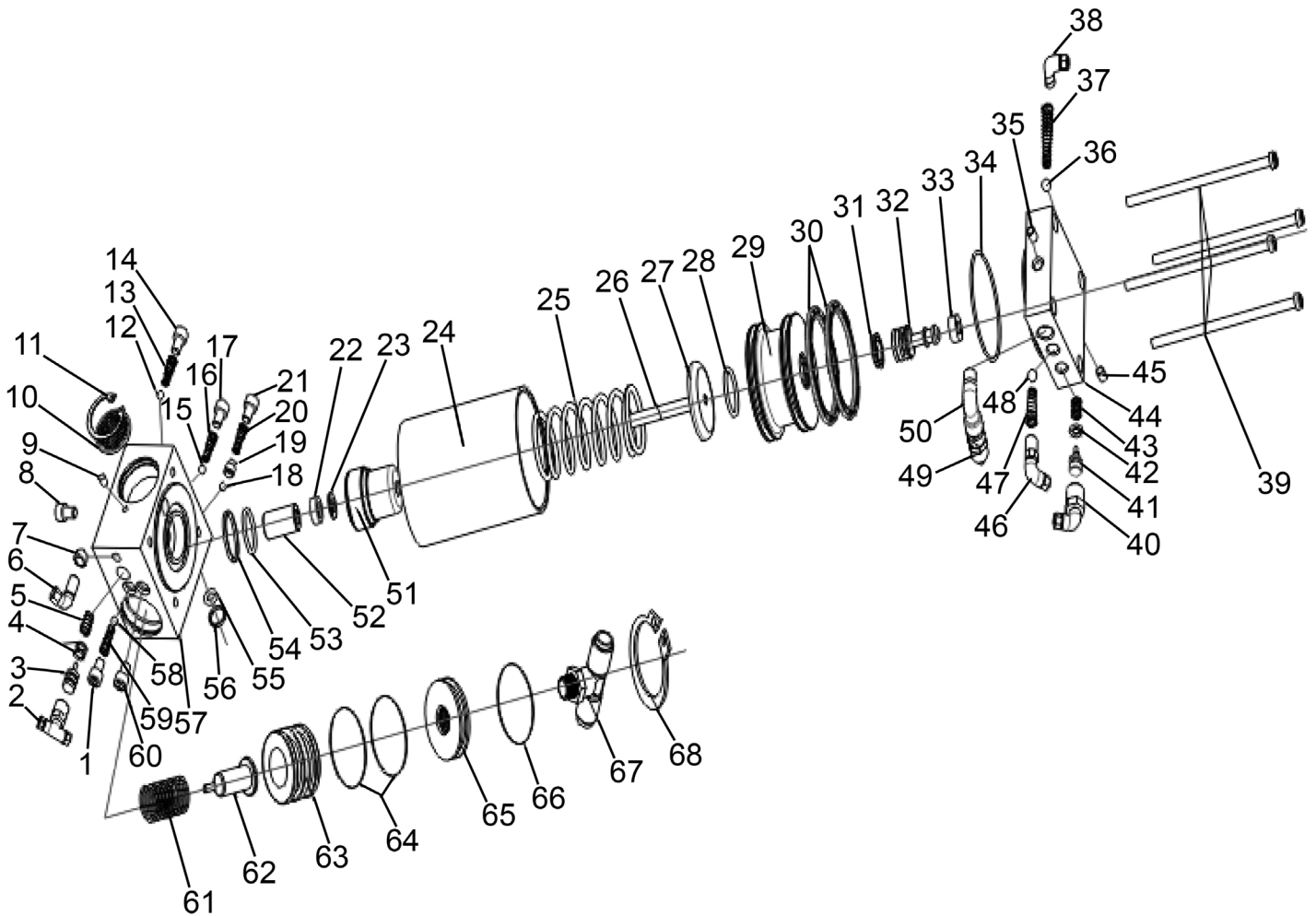


sales@sealey.co.uk



www.sealey.co.uk

Pump Assembly



Item	Part No.	Description
1	FUSN-LHJ01	Csk Socket Machine Screw
2	FUSN-LHJ02	T-Piece Adaptor
3	FUSN-LHJ03	Piston
4	FUSN-LHJ04	O-Ring, Piston
5	FUSN-LHJ05	Spring
6	FUSN-LHJ06	Elbow
7	FUSN-LHJ07	Filter
8	FUSN-LHJ08	Csk Socket Machine Screw
9	FUSN-LHJ09	Grub Screw
10	FUSN-LHJ10	Silencer
11	FUSN-LHJ11	Clamp Ring
12	FUSN-LHJ12	Steel Ball

Item	Part No.	Description
13	FUSN-LHJ13	Spring
14	FUSN-LHJ14	Csk Socket Machine Screw
15	FUSN-LHJ15	Steel Ball
16	FUSN-LHJ16	Spring
17	FUSN-LHJ17	Csk Socket Machine Screw
18	FUSN-LHJ18	Steel Ball
19	FUSN-LHJ19	Steel Ball Base
20	FUSN-LHJ20	Spring
21	FUSN-LHJ21	Csk Socket Machine Screw
22	FUSN-LHJ22	Seal Ring
23	FUSN-LHJ23	Locking Ring
24	FUSN-LHJ24	Air Cylinder

NOTE: It is our policy to continually improve products and as such we reserve the right to alter data, specifications and component parts without prior notice. There may be alternative versions of this product, please contact us should you require this information.

IMPORTANT: No liability is accepted for incorrect use of product. Spare parts must be fitted by a competent person

WARRANTY: Guarantee is 12 months from purchase date, proof of which will be required for any claim.



Parts Information:
**Long Reach/Low Profile Air Operated
Telescopic Jack 20-60 Tonne
Model No: YAJ20-60LR.V2**

Item	Part No.	Description
25	FUSN-LHJ25	Spring
26	FUSN-LHJ26	Plunger Rod
27	FUSN-LHJ27	Plunger Cover
28	FUSN-LHJ28	O-Ring
29	FUSN-LHJ29	Piston
30	FUSN-LHJ30	Packing Seal
31	FUSN-LHJ31	Z8 Seal
32	FUSN-LHJ32	Piston
33	FUSN-LHJ33	Rubber Cap
34	FUSN-LHJ34	O-Ring
35	FUSN-LHJ35	Grub Screw
36	FUSN-LHJ36	Steel Ball
37	FUSN-LHJ37	Spring, Elbow
38	FUSN-LHJ38	Elbow
39	FUSN-LHJ39	Machine Screw Pan Head Phillips
40	FUSN-LHJ40	Elbow
41	FUSN-LHJ41	Piston
42	FUSN-LHJ42	O-Ring, Piston
43	FUSN-LHJ43	Spring for Piston
44	FUSN-LHJ44	Air Inlet Valve
45	FUSN-LHJ45	Grub Screw
46	FUSN-LHJ46	Elbow

Item	Part No.	Description
47	FUSN-LHJ47	Spring for Elbow
48	FUSN-LHJ48	Steel Ball
49	FUSN-LHJ49	Safety Valve
50	FUSN-LHJ50	Elbow
51	FUSN-LHJ51	Oil Pump
52	FUSN-LHJ52	Plunger Bushing
53	FUSN-LHJ53	O-Ring
54	FUSN-LHJ54	O-Ring
55	FUSN-LHJ55	O-Ring
56	FUSN-LHJ56	Locking Ring
57	FUSN-LHJ57	Check Valve
58	FUSN-LHJ58	Steel Ball
59	FUSN-LHJ59	Spring
60	FUSN-LHJ60	Csk Socket Machine Screw
61	FUSN-LHJ61	Spring, Oil Drain Piston
62	FUSN-LHJ62	Oil Drain Bolt / Oil Drain Bolt
63	FUSN-LHJ63	Oil Drain Piston
64	FUSN-LHJ64	O-Ring, Oil Drain Piston
65	FUSN-LHJ65	End Cover
66	FUSN-LHJ66	O-Ring
67	FUSN-LHJ67	T-Piece Adaptor
68	FUSN-LHJ68	Clamp Ring

NOTE: It is our policy to continually improve products and as such we reserve the right to alter data, specifications and component parts without prior notice. There may be alternative versions of this product, please contact us should you require this information.

IMPORTANT: No liability is accepted for incorrect use of product. Spare parts must be fitted by a competent person

WARRANTY: Guarantee is 12 months from purchase date, proof of which will be required for any claim.

Sealey Group, Kempson Way, Suffolk Business Park, Bury St Edmunds, Suffolk. IP32 7AR



01284 757500



sales@sealey.co.uk



www.sealey.co.uk