

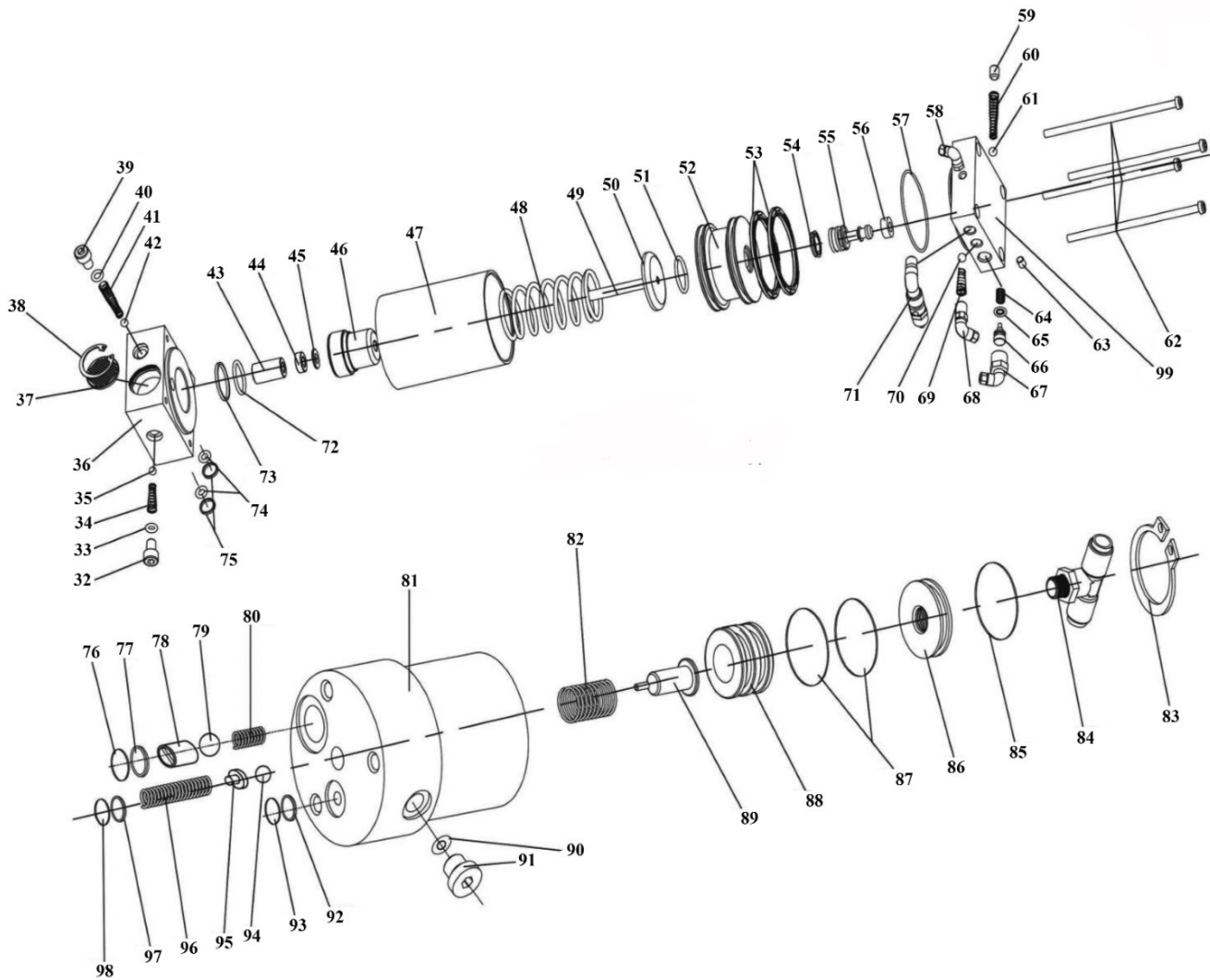
Item	Part No.	Description
1	YAJ2040V201	COVER
2	YAJ2040V202	O-RING
3	YAJ2040V203	OIL TANK
4	YAJ2040V204	DUSTPROOF RING
5	YAJ2040V205	GUIDE RING
6	YAJ2040V206	O-RING
7	YAJ2040V207	OUTER SLEEVE
8	YAJ2040V208	O-RING
9	YAJ2040V209	LOCKING RING
10	YAJ2040V210	DUSTPROOF RING
11	YAJ2040V211	GUIDE RING
12	YAJ2040V212	INNER SLEEVE
13	YAJ2040V213	SEAL
14	YAJ2040V214	GUIDE RING
15	YAJ2040V215	TOP COVER
16	YAJ2040V216	PISTON

Item	Part No.	Description
17	YAJ2040V217	SEAL
18	YAJ2040V218	GUIDE RING
19	YAJ2040DC219	O-RING
20	YAJ2040V220	BASE
21	YAJ2040DC221	AIR HOSE
22	YAJ2040DC222	AIR HOSE
23	YAJ2040DC223	ELBOW
24	YAJ2040V224	FILTER NET
25	YAJ2040DC225	O-RING
26	YAJ2040DC291	SCREW NUT
27	YAJ2040V227	SCREW
28	YAJ2040DC228	O-RING
29	YAJ2040DC229	SCREW NUT
30	YAJ2040V230	SPACER
31	YAJ2040V231	SCREW

NOTE: It is our policy to continually improve products and as such we reserve the right to alter data, specifications and component parts without prior notice.

IMPORTANT: No liability is accepted for incorrect use of product.

WARRANTY: Guarantee is 12 months from purchase date, proof of which will be required for any claim.



NOTE: It is our policy to continually improve products and as such we reserve the right to alter data, specifications and component parts without prior notice.

IMPORTANT: No liability is accepted for incorrect use of product.

WARRANTY: Guarantee is 12 months from purchase date, proof of which will be required for any claim.



Parts Information:
Air Operated Jack 40tonne Telescopic
Model No: YAJ20-40.V2

Item	Part No.	Description
32	YAJ2040V232	SCREW NUT
33	YAJ2040V233	O-RING
34	YAJ2040V234	SPRING
35	YAJ2040V235	STEEL BALL
36	YAJ2040V236	CHECK VALVE
37	YAJ2040V237	SILENCER PIECE
38	YAJ2040V238	CLAMP
39	YAJ2040V239	SCREW NUT
40	YAJ2040V240	O-RING
41	YAJ2040V241	SPRING
42	YAJ2040V242	STEEL BALL
43	YAJ2040V243	GUILDE BUSHING
44	YAJ2040V244	SPACER
45	YAJ2040V245	B3
46	YAJ2040V246	PLUNGER BUSHING
47	YAJ2040V247	AIR CYLINDER
48	YAJ2040V248	SPRING
49	YAJ2040V249	PLUNGER ROD
50	YAJ2040V250	PLUNGER COVER
51	YAJ2040V251	O-RING
52	YAJ2040V252	PISTON
53	YAJ2040V253	PK SEALING
54	YAJ2040V254	OE SEALING
55	YAJ2040V255	PISTON
56	YAJ2040V256	RUBBER CAP
57	YAJ2040V257	O-RING
58	YAJ2040V258	ELBOW
59	YAJ2040V259	SCREW NUT
60	YAJ2040V260	SPRING
61	YAJ2040V261	RUBBER BALL
62	YAJ2040V262	SCREW
63	YAJ2040V263	SCREW NUT
64	YAJ2040V264	SPRING
65	YAJ2040V265	O-RING

Item	Part No.	Description
66	YAJ2040V266	PISTON
67	YAJ2040V267	ELBOW
68	YAJ2040V268	ELBOW
69	YAJ2040V269	SPRING
70	YAJ2040V270	RUBBER BALL
71	YAJ2040V271	ELBOW
72	YAJ2040V272	O-RING
73	YAJ2040V273	LOCKING RING
74	YAJ2040V274	O-RING
75	YAJ2040V275	LOCKING RING
76	YAJ2040V276	O-RING
77	YAJ2040V277	LOCKING RING
78	YAJ2040V278	STEEL BALL BULKHEAD
79	YAJ2040V279	STEEL BALL
80	YAJ2040V280	SPRING
81	YAJ2040V281	OIL DRAIN VALVE
82	YAJ2040V282	SPRING
83	YAJ2040V283	CLAMP
84	YAJ2040V284	T-PIECE
85	YAJ2040V285	O-RING
86	YAJ2040V286	END COVER
87	YAJ2040V287	O-RING
88	YAJ2040V288	OIL DRAIN PISTON
89	YAJ2040V289	OIL DRAIN BOLT
90	YAJ2040DC290	O-RING
91	YAJ2040DC291	SCREW NUT
92	YAJ2040V292	LOCKING RING
93	YAJ2040V293	O-RING
94	YAJ2040V294	STEEL BALL
95	YAJ2040V295	SCREW NUT
96	YAJ2040V296	SPRING
97	YAJ2040V297	LOCKING RING
98	YAJ2040V298	O-RING
99	YAJ2040V299	AIR INLET BASE

NOTE: It is our policy to continually improve products and as such we reserve the right to alter data, specifications and component parts without prior notice.

IMPORTANT: No liability is accepted for incorrect use of product.

WARRANTY: Guarantee is 12 months from purchase date, proof of which will be required for any claim.

Sealey Group, Kempson Way, Suffolk Business Park, Bury St Edmunds, Suffolk. IP32 7AR



01284 757500



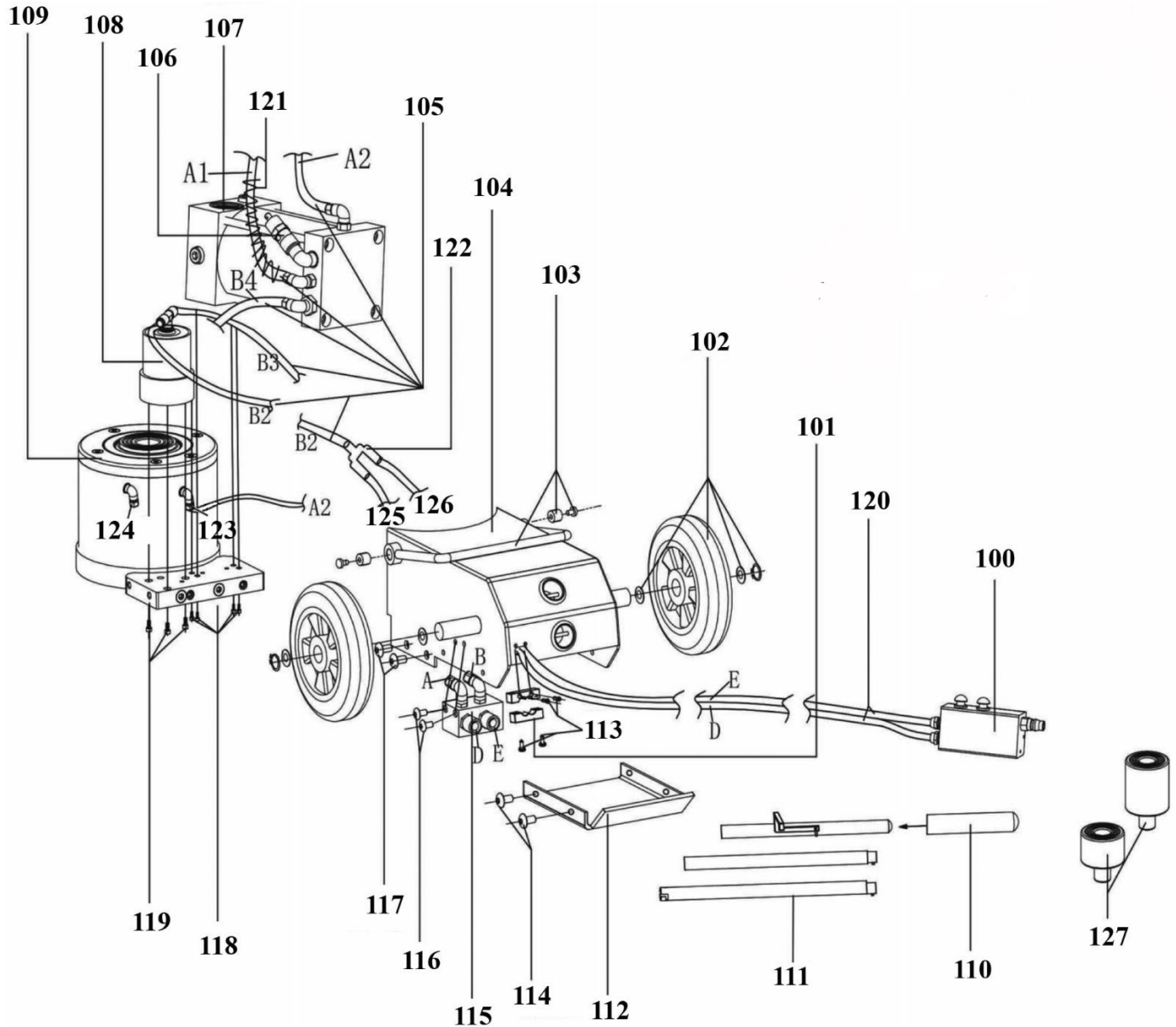
01284 703534



sales@sealey.co.uk



www.sealey.co.uk



NOTE: It is our policy to continually improve products and as such we reserve the right to alter data, specifications and component parts without prior notice.

IMPORTANT: No liability is accepted for incorrect use of product.

WARRANTY: Guarantee is 12 months from purchase date, proof of which will be required for any claim.



Parts Information:
Air Operated Jack 40tonne Telescopic
Model No: YAJ20-40.V2

Item	Part No.	Description
100	YAJ2040V2100	OIL CYLINDER ASSEMBLY
101	YAJ2040V2101	OIL DRAIN VALVE ASSEMBLY
102	YAJ2040V2102	HOSE
103	YAJ2040DC2121	SPRING
104	YAJ2040V2104	PUMP ASSEMBLY
105	YAJ2040DC2106	CONNECTOR
106	YAJ2040V2106	SCREW
107	YAJ2040DC2122	CONNECTOR (Y-SHAPE)
108	YAJ2040V2108	HANDLE SET
109	YAJ2040V2109	TANK
110	YAJ2040DC2102	WHEEL KIT (160x44)
111	YAJ2040V2111	HANDLE

Item	Part No.	Description
112	YAJ2040V2112	SCREW
113	YAJ2040V2113	SWITCH
114	YAJ2040V2114	HANDLE GRIP
115	YAJ20-40DC.99	ADAPTORS (45mm & 75mm)
116	YAJ2040V2116	ADAPTOR TRAY
117	YAJ2040V2117	SCREWS
118	YAJ2040V2118	GAS CIRCUIT BLOCK
119	YAJ2040V2119	CONNECTOR
120	YAJ2040V2120	METAL PLATE
121	YAJ2040V2121	WHEEL AXLE SET
122	YAJ2040V2122	SCREWS
123	YAJ2040V2123	SCREWS

NOTE: It is our policy to continually improve products and as such we reserve the right to alter data, specifications and component parts without prior notice.

IMPORTANT: No liability is accepted for incorrect use of product.

WARRANTY: Guarantee is 12 months from purchase date, proof of which will be required for any claim.

Sealey Group, Kempson Way, Suffolk Business Park, Bury St Edmunds, Suffolk. IP32 7AR



01284 757500



01284 703534



sales@sealey.co.uk



www.sealey.co.uk