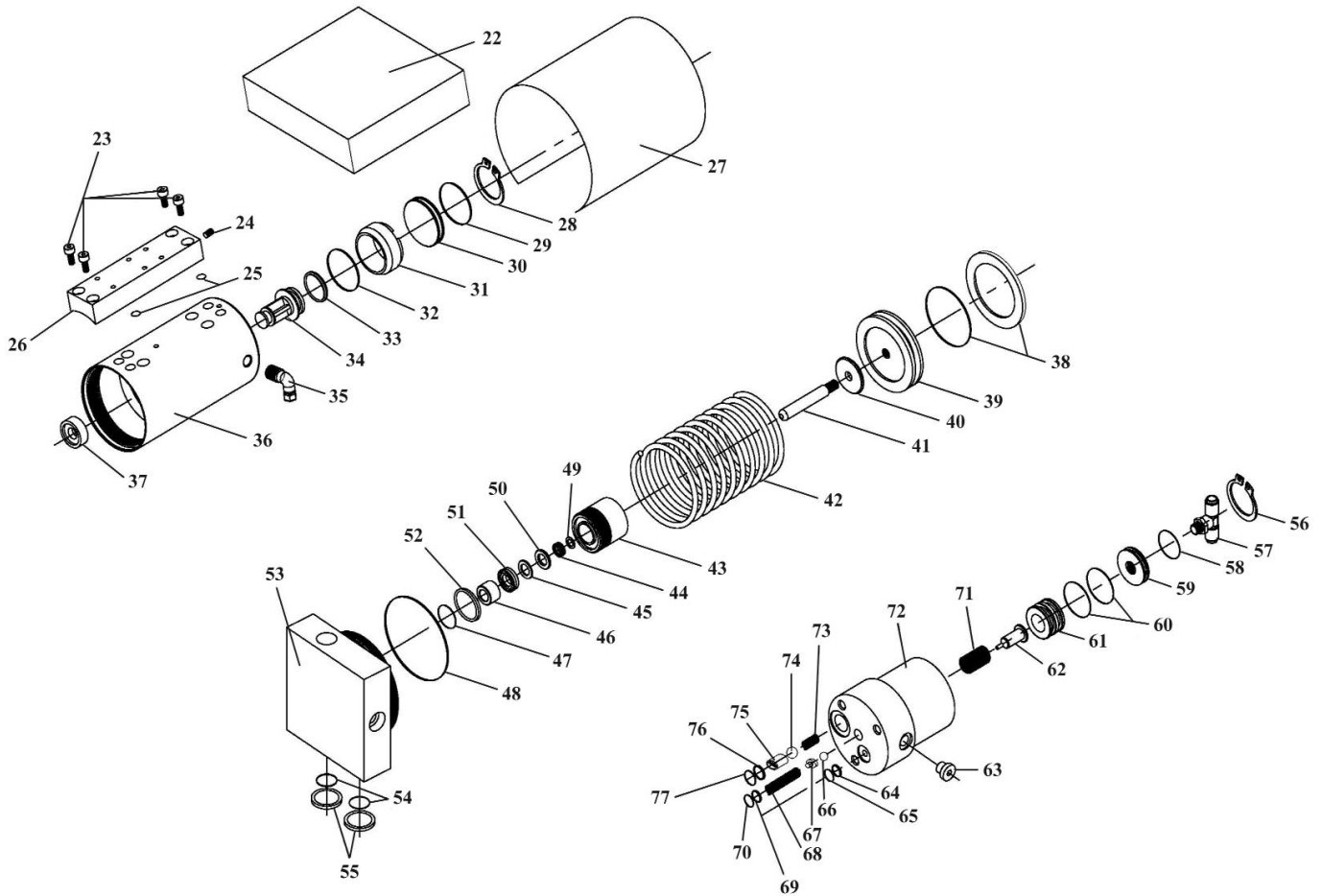


NOTE: It is our policy to continually improve products and as such we reserve the right to alter data, specifications and component parts without prior notice.

IMPORTANT: No liability is accepted for incorrect use of product.

WARRANTY: Guarantee is 12 months from purchase date, proof of which will be required for any claim.



NOTE: It is our policy to continually improve products and as such we reserve the right to alter data, specifications and component parts without prior notice.

IMPORTANT: No liability is accepted for incorrect use of product.

WARRANTY: Guarantee is 12 months from purchase date, proof of which will be required for any claim.

Item	Part No.	Description
1	YAJ20-40.01	COVER
2	YAJ20-40.02	O-RING
3	YAJ20-40.03	OIL TANK
4	YAJ20-40.04	O-RING
5	YAJ20-40.05	DUSTPROOF RING
6	YAJ20-40.06	GUIDE RING
7	YAJ20-40.07	O-RING
8	YAJ20-40.08	OUTER SLEEVE
9	YAJ20-40.09	O-RING
10	YAJ20-40.10	LOCK RING
11	YAJ20-40.11	DUSTPROOF RING
12	YAJ20-40.12	GUIDE RING
13	YAJ20-40.13	INNER SLEEVE
14	YAJ20-40.14	SEAL RING ASS'Y
15	YAJ20-40.15	GUIDE RING
16	YAJ20-40.16	TOP COVER
17	YAJ20-40.17	PISTON
18	YAJ20-40.18	SPRING WASHER
19	YAJ20-40.19	SEAL RING
20	YAJ20-40.20	GUIDE RING
21	YAJ20-40.21	BASE
22	YAJ20-40.22	FOAM PAD
23	YAJ20-40.23	SCREW
24	YAJ20-40.24	SCREW
25	YAJ20-40.25	O-RING
26	YAJ20-40.26	PROTECTING COVER
27	YAJ20-40.27	PROTECTING COVER
28	YAJ20-40.28	RETAINING RING
29	YAJ20-40.29	O-RING
30	YAJ20-40.30	END COVER
31	YAJ20-40.31	INNER SLEEVE
32	YAJ20-40.32	O-RING
33	YAJ20-40.33	U-RING
34	YAJ20-40.34	PISTON
35	YAJ20-40.35	ELBOW
36	YAJ20-40.36	AIR CYLINDER
37	YAJ20-40.37	RUBBER CAP
38	YAJ20-40.38	OE SEAL
39	YAJ20-40.39	PISTON
40	YAJ20-40.40	SPACER
41	YAJ20-40.41	PLUNGER ROD
42	YAJ20-40.42	SPRING
43	YAJ20-40.43	OIL PUMP
44	YAJ20-40.44	SEAL
45	YAJ20-40.45	SPACER
46	YAJ20-40.46	GUIDE BUSHING
47	YAJ20-40.47	O-RING
48	YAJ20-40.48	O-RING
49	YAJ20-40.49	LOCK RING
50	YAJ20-40.50	SPACER
51	YAJ20-40.51	SEAL
52	YAJ20-40.52	LOCK RING
53	YAJ20-40.53	PUMP BLOCK
54	YAJ20-40.54	O-RING
55	YAJ20-40.55	LOCK RING

Item	Part No.	Description
56	YAJ20-40.56	RETAINING RING
57	YAJ20-40.57	T-PIECE
58	YAJ20-40.58	O-RING
59	YAJ20-40.59	END COVER
60	YAJ20-40.60	O-RING
61	YAJ20-40.61	OIL DRAIN PISTON
62	YAJ15-30.62	OIL DRAIN BOLT
63	YAJ20-40.63	VALVE SCREW
64	YAJ20-40.64	LOCK RING
65	YAJ20-40.65	O-RING
66	YAJ20-40.66	STEEL BALL
67	YAJ20-40.67	STEEL BALL SEAT
68	YAJ20-40.68	SPRING
69	YAJ20-40.69	LOCK RING
70	YAJ20-40.70	O-RING
71	YAJ20-40.71	SPRING
72	YAJ20-40.72	DRAIN VALVE
73	YAJ20-40.73	SPRING
74	YAJ20-40.74	STEEL BALL
75	YAJ20-40.75	BUSHING
76	YAJ20-40.76	LOCK RING
77	YAJ20-40.77	O-RING
78	YAJ20-40.78	HANDLE
79	YAJ20-40.79	STRAIGHT PIN
80	YAJ20-40.80	O-RING
81	YAJ20-40.81	SPINDLE (c/w PIN)
82	YAJ20-40.82	VALVE BASE
83	YAJ20-40.83	SWITCH CAP
84	YAJ20-40.84	SPRING
85	YAJ20-40.85	VALVE BODY
86	YAJ20-40.86	O-RING
87	YAJ20-40.87	O-RING
88	YAJ20-40.88	VALVE BASE
89	YAJ20-40.89	SCREW
90	YAJ20-40.90	SWITCH SET
91	YAJ20-40.91	SCREW
92	YAJ20-40.92	HANDLE
93	YAJ20-40.93	TANK BODY
94	YAJ20-40.94	LIFTING HANDLE SET
95	YAJ20-40.95	SCREW
96	YAJ20-40.96	ELBOW
97	YAJ20-40.97	PUMP ASS'Y
98	YAJ20-40.98	OIL DRAIN VALVE ASS'Y
99	YAJ20-40.99	OIL CYLINDER ASS'Y
100	YAJ20-40.100	HANDLE GRIP
101	YAJ20-40.101	ADAPTOR HOLDER
102	YAJ20-40.102	SCREW
103	YAJ20-40.103	CIRCUIT BLOCK
104	YAJ20-40.104	CIRCUIT BLOCK
105	YAJ20-40.105	BOTTOM COVER
106	YAJ20-40.106	HANDLE PIN
107	YAJ20-40.107	SCREW
108	YAJ20-40.108	SCREW
109	YAJ20-40.109	WHEEL, FIXED (C/W FIXINGS)(160x20x45)
110	YAJ20-40DC.99	ADAPTORS (45mm & 75mm)