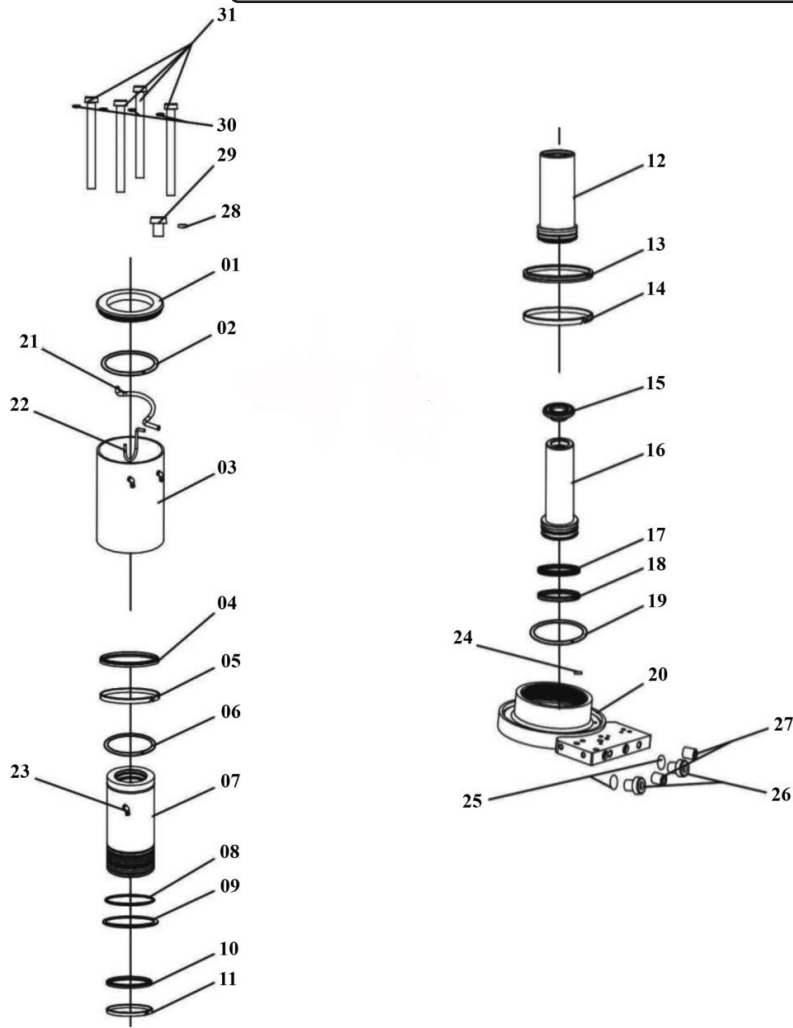




Parts Information:  
**Air Operated Jack 40tonne Telescopic -  
 Detachable Control Unit  
 Model No: YAJ20-40DC.V2**



Item	Part No.	Description
1	YAJ2040DC201	COVER
2	YAJ2040DC202	O-RING
3	YAJ2040DC203	OIL TANK
4	YAJ2040DC204	DUSTPROOF RING
5	YAJ2040DC205	GUIDE RING
6	YAJ2040DC206	O-RING
7	YAJ2040DC207	OUTER SLEEVE
8	YAJ2040DC208	O-RING
9	YAJ2040DC209	LOCKING RING
10	YAJ2040DC210	DUSTPROOF RING
11	YAJ2040DC211	GUIDE RING
12	YAJ2040DC212	INNER SLEEVE
13	YAJ2040DC213	SEAL RING
14	YAJ2040DC214	GUIDE RING
15	YAJ2040DC215	TOP COVER
16	YAJ2040DC216	PISTON

Item	Part No.	Description
17	YAJ2040DC217	SEAL RING
18	YAJ2040DC218	GUIDE RING
19	YAJ2040DC219	O-RING
20	YAJ2040DC220	BASE
21	YAJ2040DC221	AIR HOSE
22	YAJ2040DC222	AIR HOSE
23	YAJ2040DC223	ELBOW
24	YAJ2040DC224	FILTER NET
25	YAJ2040DC225	O-RING
26	YAJ2040DC291	SCREW NUT
27	YAJ2040DC227	SCREW
28	YAJ2040DC228	O-RING
29	YAJ2040DC229	SCREW NUT
30	YAJ2040DC230	SPACER
31	YAJ2040DC231	SCREW

**NOTE:** It is our policy to continually improve products and as such we reserve the right to alter data, specifications and component parts without prior notice.

**IMPORTANT:** No liability is accepted for incorrect use of product.

**WARRANTY:** Guarantee is 12 months from purchase date, proof of which will be required for any claim.

**Sealey Group**, Kempson Way, Suffolk Business Park, Bury St Edmunds, Suffolk. IP32 7AR



01284 757500



01284 703534



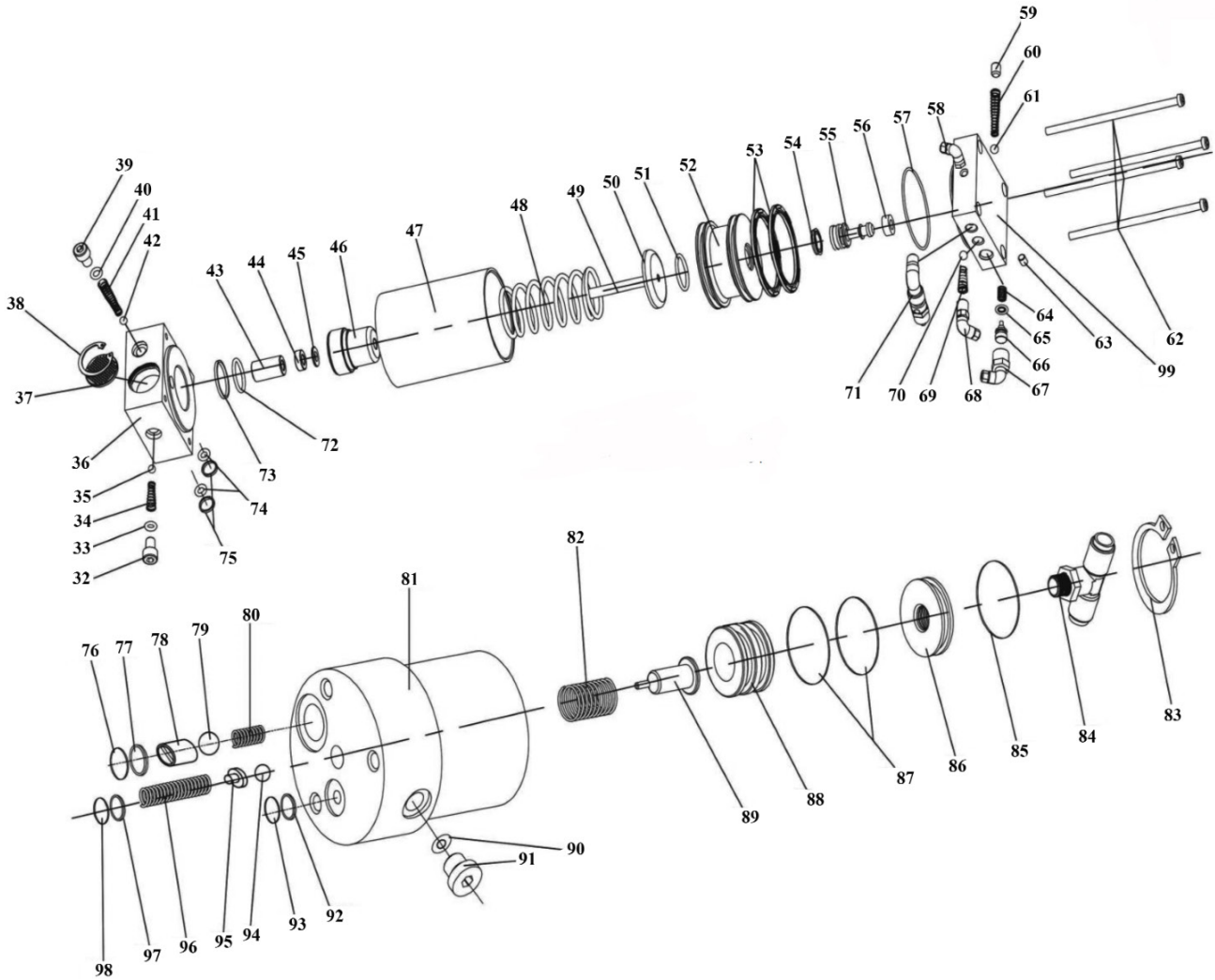
sales@sealey.co.uk



www.sealey.co.uk



Parts Information:  
**Air Operated Jack 40tonne Telescopic -  
Detachable Control Unit**  
**Model No: YAJ20-40DC.V2**



**NOTE:** It is our policy to continually improve products and as such we reserve the right to alter data, specifications and component parts without prior notice.

**IMPORTANT:** No liability is accepted for incorrect use of product.

**WARRANTY:** Guarantee is 12 months from purchase date, proof of which will be required for any claim.

**Sealey Group**, Kempson Way, Suffolk Business Park, Bury St Edmunds, Suffolk. IP32 7AR



01284 757500



01284 703534



sales@sealey.co.uk



www.sealey.co.uk



Parts Information:  
**Air Operated Jack 40tonne Telescopic -  
Detachable Control Unit  
Model No: YAJ20-40DC.V2**

Item	Part No.	Description
32	YAJ2040DC232	SCREW NUT
33	YAJ2040DC233	O-RING
34	YAJ2040DC234	SPRING
35	YAJ2040DC235	STEEL BALL
36	YAJ2040DC236	CHECK VALVE
37	YAJ2040DC237	SILENCER PIECE
38	YAJ2040DC238	CLAMP
39	YAJ2040DC239	SCREW NUT
40	YAJ2040DC240	O-RING
41	YAJ2040DC241	SPRING
42	YAJ2040DC242	STEEL BALL
43	YAJ2040DC243	GUILDE BUSHING
44	YAJ2040DC244	SPACER
45	YAJ2040DC245	SEAL
46	YAJ2040DC246	PLUNGER BUSHING
47	YAJ2040DC247	AIR CYLINDER
48	YAJ2040DC248	SPRING
49	YAJ2040DC249	PLUNGER ROD
50	YAJ2040DC250	PLUNGER COVER
51	YAJ2040DC251	O-RING
52	YAJ2040DC252	PISTON
53	YAJ2040DC253	PK SEALING
54	YAJ2040DC254	OE SEALING
55	YAJ2040DC255	PISTON
56	YAJ2040DC256	RUBBER CAP
57	YAJ2040DC257	O-RING
58	YAJ2040DC258	ELBOW
59	YAJ2040DC259	SCREW NUT
60	YAJ2040DC260	SPRING
61	YAJ2040DC261	RUBBER BALL
62	YAJ2040DC262	SCREW
63	YAJ2040DC263	SCREW NUT
64	YAJ2040DC264	SPRING
65	YAJ2040DC265	O-RING

Item	Part No.	Description
66	YAJ2040DC266	PISTON
67	YAJ2040DC267	ELBOW
68	YAJ2040DC268	ELBOW
69	YAJ2040DC269	SPRING
70	YAJ2040DC270	RUBBER BALL
71	YAJ2040DC271	ELBOW
72	YAJ2040DC272	O-RING
73	YAJ2040DC273	LOCKING RING
74	YAJ2040DC274	O-RING
75	YAJ2040DC275	LOCKING RING
76	YAJ2040DC276	O-RING
77	YAJ2040DC277	LOCKING RING
78	YAJ2040DC278	STEEL BALL BULKHEAD
79	YAJ2040DC279	STEEL BALL
80	YAJ2040DC280	SPRING
81	YAJ2040DC281	OIL DRAIN VALVE
82	YAJ2040DC282	SPRING
83	YAJ2040DC283	CLAMP
84	YAJ2040DC284	T-PIECE
85	YAJ2040DC285	O-RING
86	YAJ2040DC286	END COVER
87	YAJ2040DC287	O-RING
88	YAJ2040DC288	OIL DRAIN PISTON
89	YAJ2040DC289	OIL DRAIN BOLT
90	YAJ2040DC290	O-RING
91	YAJ2040DC291	SCREW NUT
92	YAJ2040DC292	LOCKING RING
93	YAJ2040DC293	O-RING
94	YAJ2040DC294	STEEL BALL
95	YAJ2040DC295	SCREW NUT
96	YAJ2040DC296	SPRING
97	YAJ2040DC297	LOCKING RING
98	YAJ2040DC29	8 O-RING
99	YAJ2040DC29	9 AIR INLET BASE

**NOTE:** It is our policy to continually improve products and as such we reserve the right to alter data, specifications and component parts without prior notice.

**IMPORTANT:** No liability is accepted for incorrect use of product.

**WARRANTY:** Guarantee is 12 months from purchase date, proof of which will be required for any claim.

**Sealey Group**, Kempson Way, Suffolk Business Park, Bury St Edmunds, Suffolk. IP32 7AR



01284 757500



01284 703534

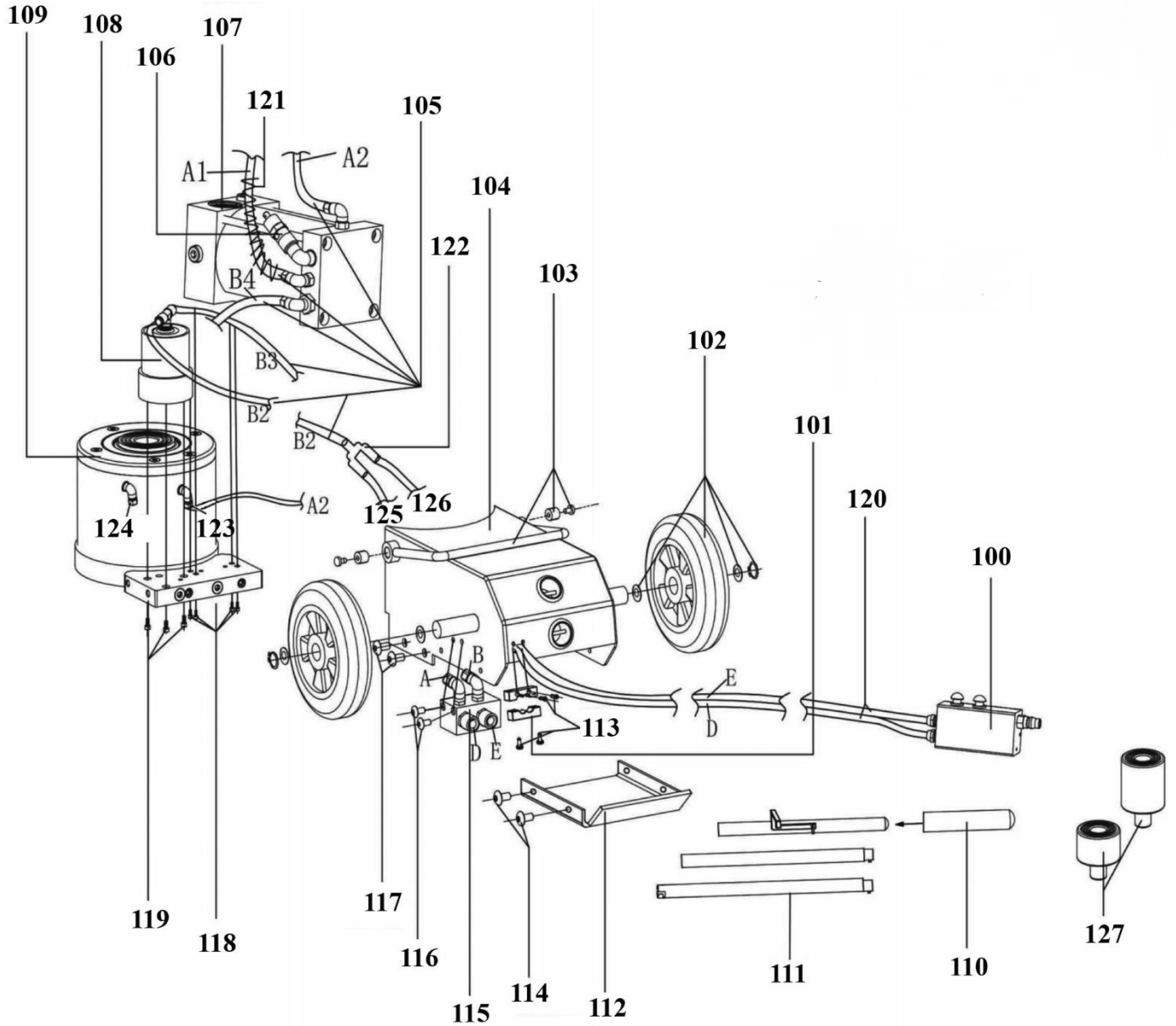


sales@sealey.co.uk



www.sealey.co.uk

Parts Information:  
**Air Operated Jack 40tonne Telescopic -  
 Detachable Control Unit  
 Model No: YAJ20-40DC.V2**



**NOTE:** It is our policy to continually improve products and as such we reserve the right to alter data, specifications and component parts without prior notice.

**IMPORTANT:** No liability is accepted for incorrect use of product.

**WARRANTY:** Guarantee is 12 months from purchase date, proof of which will be required for any claim.



Parts Information:  
**Air Operated Jack 40tonne Telescopic -  
Detachable Control Unit  
Model No: YAJ20-40DC.V2**

Item	Part No.	Description
100	YAJ2040DC21	00 SWITCH
101	YAJ2040DC21	01 TUBE CLAMP
102	YAJ2040DC21	02 WHEEL KIT (160x44)
103	YAJ2040DC21	03 LIFTING HANDLE SET
104	YAJ2040DC21	04 TANK
105	YAJ2040DC21	05 TUBE
106	YAJ2040DC21	06 CONNECTOR
107	YAJ2040DC21	07 PUMP ASSEMBLY
108	YAJ2040DC21	08 OIL DRAIN VALVE ASSEMBLY
109	YAJ2040DC21	09 OIL CYLINDER ASSEMBLY
110	YAJ2040DC21	10 HANDLE GRIP
111	YAJ2040DC21	11 HANDLE
112	YAJ2040DC21	12 COVER BOARD
113	YAJ2040DC21	13 SCREW

Item	Part No.	Description
114	YAJ2040DC21	14 SCREW
115	YAJ2040DC21	15 GAS CIRCUIT BLOCK
116	YAJ2040DC21	16 SCREW
117	YAJ2040DC21	17 SCREW
118	YAJ2040DC21	18 SCREW
119	YAJ2040DC21	19 SCREW
120	YAJ2040DC21	20 AIR HOSE
121	YAJ2040DC21	21 SPRING
122	YAJ2040DC21	22 CONNECTOR (Y-SHAPE)
123	YAJ2040DC22	3 ELBOW
124	YAJ2040DC22	3 ELBOW
125	YAJ2040DC21	25 AIR HOSE
126	YAJ2040DC21	26 AIR HOSE
127	YAJ20-40DC.	99 ADAPTORS (45mm & 75mm)

**NOTE:** It is our policy to continually improve products and as such we reserve the right to alter data, specifications and component parts without prior notice.

**IMPORTANT:** No liability is accepted for incorrect use of product.

**WARRANTY:** Guarantee is 12 months from purchase date, proof of which will be required for any claim.

**Sealey Group**, Kempson Way, Suffolk Business Park, Bury St Edmunds, Suffolk. IP32 7AR



01284 757500



01284 703534



sales@sealey.co.uk



www.sealey.co.uk