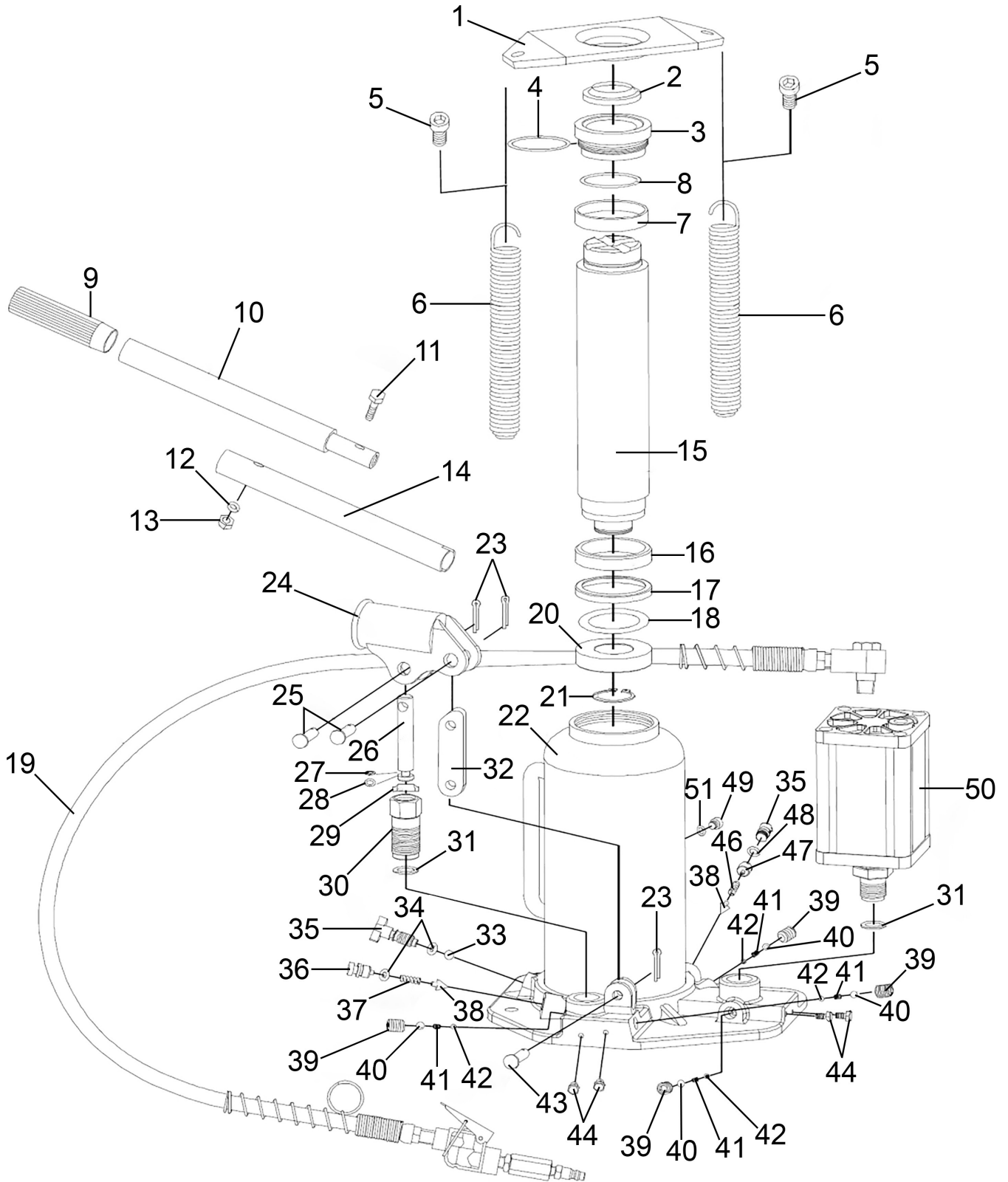


Parts Information:  
**Air Operated Hydraulic Bottle Jack 18 Tonne**  
**Model No: YAJ18S**



**NOTE:** It is our policy to continually improve products and as such we reserve the right to alter data, specifications and component parts without prior notice. There may be alternative versions of this product, please contact us should you require this information.

**IMPORTANT:** No liability is accepted for incorrect use of product. Spare parts must be fitted by a competent person

**WARRANTY:** Guarantee is 12 months from purchase date, proof of which will be required for any claim.



Parts Information:  
**Air Operated Hydraulic Bottle Jack 18  
Tonne**  
**Model No: YAJ18S**

Item	Part No.	Description
1	YAJ18S.01	Top Plate
2	YAJ18S.02	Seal (62 x 56 x 6mm)
3	YAJ18S.03	Top Nut
4	YAJ18S.04	O-Ring (66.70 x 61.46 x 2.62mm)
5	YAJ18S.05	Socket Head Cap Screw M10 x 16mm
6	YAJ18S.06	Return Spring Ø 27.5mm
7	YAJ18S.07	Scraper Ring 62 x 56mm
8	YAJ18S.08	O-Ring HN7445 (49.92 x 42.86 x 3.53mm)
9	YAJ18S.09	Handle Grip
10	YAJ18S.10	Handle, Upper
11	BHSS630.S	Button Head Socket Screw M6 x 30mm
12	FWM6.S	Flat Washer M6
13	SN6.S	Steel Nut M6
14	YAJ18S.14	Handle, Lower
15	YAJ18S.15	Ram
16	YAJ18S.16	Seal 60 x 50mm
17	YAJ18S.17	Cup Seal 60 x 6.5mm
18	YAJ18S.18	O-Ring HN7445 (60.83 x 50.17 x 5.33mm)
19	YAJ18S.19	Air Hose Assembly
20	YAJ18S.20	Seal 59.8 x 30mm
21	YAJ18S.21	Retaining Ring
22	YAJ18S.22	Jack Body
23	10QJV2-69	Cotter Pin 2.4 x 20mm
24	YAJ18S.24	Handle Socket
25	YAJ18S.25	Cotter Pin 8 x 29mm

Item	Part No.	Description
26	YAJ18S.26	Pump Plunger 12 x 73mm
27	YAJ18S.27	O-Ring HN7445 (12.66 x 6.62 x 3.02mm)
28	YAJ18S.28	Seal
29	YAJ18S.29	Plunger Housing Seal Ø 12mm
30	YAJ18S.30	Plunger Housing 21 x 55mm
31	YAJ18S.31	Washer (18 x 9 x 1.2mm)
32	YAJ18S.32	Link, Handle Socket
33	YAJ18S.33	Steel Ball
34	GSA08.09-4	O-Ring (11.21 x 7.65 x 1.78mm)
35	YAJ18S.35	Release Valve
36	YAJ18S.36	Safety Valve
37	YAJ18S.37	Spring Ø 8mm
38	YAJ18S.38	Spring Seat
39	GSM1010.S	Grub Screw M10 x 10mm
40	SB-7.0	Steel Ball 7.0mm
41	YAJ18S.41	Ball Seat
42	SB-5.0	Steel Ball 5.0mm
43	YAJ18S.43	Cotter Pin 11 x 24mm
44	YAJ18S.44	Screw M5 x 12mm
46	YAJ18S.46	Spring Ø 7.4mm
47	YAJ18S.47	Spring Seat
48	YAJ18S.48	Grub Screw 11.5 x 15mm
49	YAJ18S.49	Oil Filler Plug
50	YAJ18S.50	Air Motor
51	WK025.V2-31	O-Ring (14.43 x 9.19 x 2.62mm)

**NOTE:** It is our policy to continually improve products and as such we reserve the right to alter data, specifications and component parts without prior notice. There may be alternative versions of this product, please contact us should you require this information.

**IMPORTANT:** No liability is accepted for incorrect use of product. Spare parts must be fitted by a competent person

**WARRANTY:** Guarantee is 12 months from purchase date, proof of which will be required for any claim.

**Sealey Group**, Kempson Way, Suffolk Business Park, Bury St Edmunds, Suffolk. IP32 7AR



01284 757500



sales@sealey.co.uk



www.sealey.co.uk