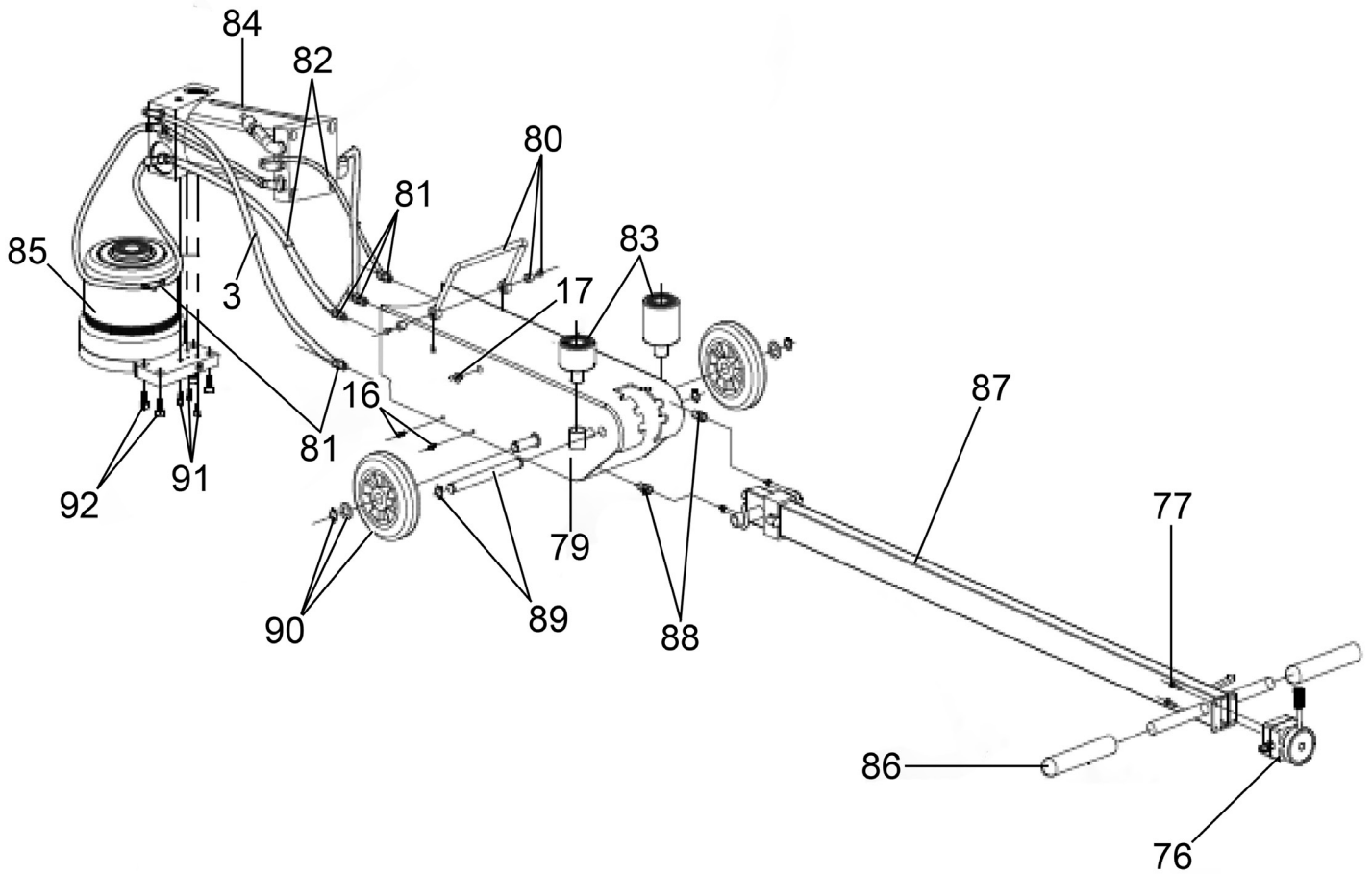


Parts Information:
**Long Reach/Low Profile Air Operated
 Telescopic Jack 15-30 Tonne
 Model No: YAJ15-30LE.V2**



Item	Part No.	Description
3	FUSN-J003	Oil Hose
16	FUSN-J016	Button Head Socket Screw A
17	FUSN-J017	Button Head Socket Screw B
76	YAJ15-30LE.76	Switch Assembly
77	YAJ15-30LE.77	Screw
79	YAJ15-30LE.79	Tank Body
80	YAJ15-30LE.80	Carry Handle (c/w Fixings)
81	YAJ15-30LE.81	Hose Adaptor
82	YAJ15-30LE.82	Air Pipe & Oil Hose
83	YAJ20-40DC.99	Adaptors (45mm & 75mm)

Item	Part No.	Description
84	YAJ15-30LE.84	Pump Assembly
85	YAJ15-30LE.85	Oil Cylinder Assembly
86	YAJ15-30LE.86	Handle Grip
87	YAJ20-40LR.87	Handle Assembly
88	YAJ15-30LE.88	Screw
89	YAJ15-30LE.89	Wheel Axle
90	YAJ15-30LE.90	Wheel (c/w Fixing)
91	YAJ15-30LE.91	Screw
92	YAJ15-30LE.92	Screw

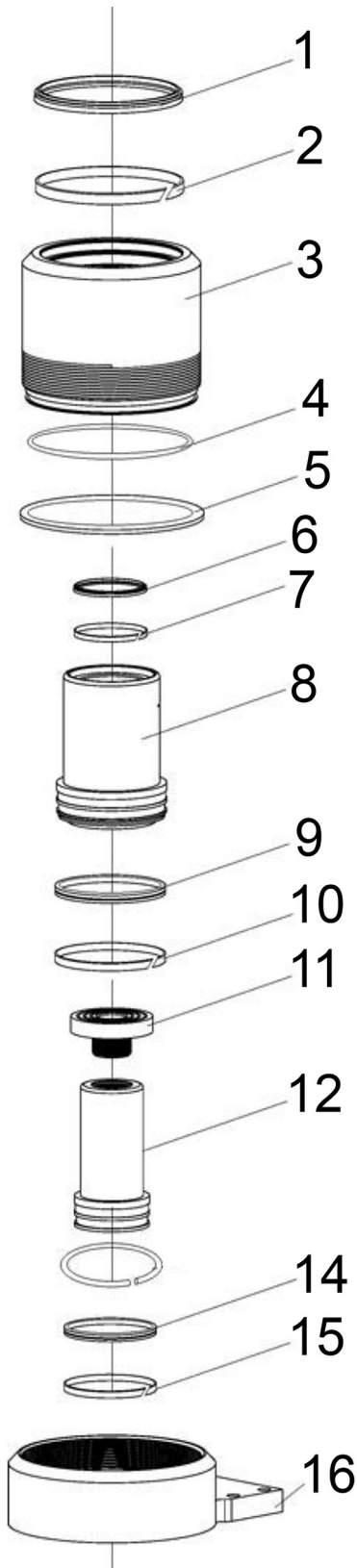
NOTE: It is our policy to continually improve products and as such we reserve the right to alter data, specifications and component parts without prior notice. There may be alternative versions of this product, please contact us should you require this information.

IMPORTANT: No liability is accepted for incorrect use of product. Spare parts must be fitted by a competent person

WARRANTY: Guarantee is 12 months from purchase date, proof of which will be required for any claim.



Parts Information:
**Long Reach/Low Profile Air Operated
 Telescopic Jack 15-30 Tonne
 Model No: YAJ15-30LE.V2**



Item	Part No.	Description
1	YAJ15-30LE.01	Dustproof Ring
2	YAJ15-30LE.02	Guide Ring Ø 100mm
3	YAJ15-30LE.03	Outer Sleeve
4	YAJ15-30LE.04	O-Ring (130.48 x 123.42 x 3.53mm)
5	YAJ15-30LE.05	Locking Ring
6	YAJ15-30LE.06	Dustproof Ring
7	YAJ15-30LE.07	Guide Ring Ø 60mm
8	YAJ15-30LE.08	Inner Sleeve
9	YAJ15-30LE.09	Seal Ring
10	YAJ15-30LE.10	Guide Ring Ø 110mm
11	YAJ15-30LE.11	Top Cover
12	YAJ15-30LE.12	Piston
14	YAJ15-30LE.14	Seal Ring
15	YAJ15-30LE.15	Guide Ring Ø 75mm
16	YAJ15-30LE.16	Base

NOTE: It is our policy to continually improve products and as such we reserve the right to alter data, specifications and component parts without prior notice. There may be alternative versions of this product, please contact us should you require this information.

IMPORTANT: No liability is accepted for incorrect use of product. Spare parts must be fitted by a competent person

WARRANTY: Guarantee is 12 months from purchase date, proof of which will be required for any claim.

Sealey Group, Kempson Way, Suffolk Business Park, Bury St Edmunds, Suffolk. IP32 7AR



01284 757500

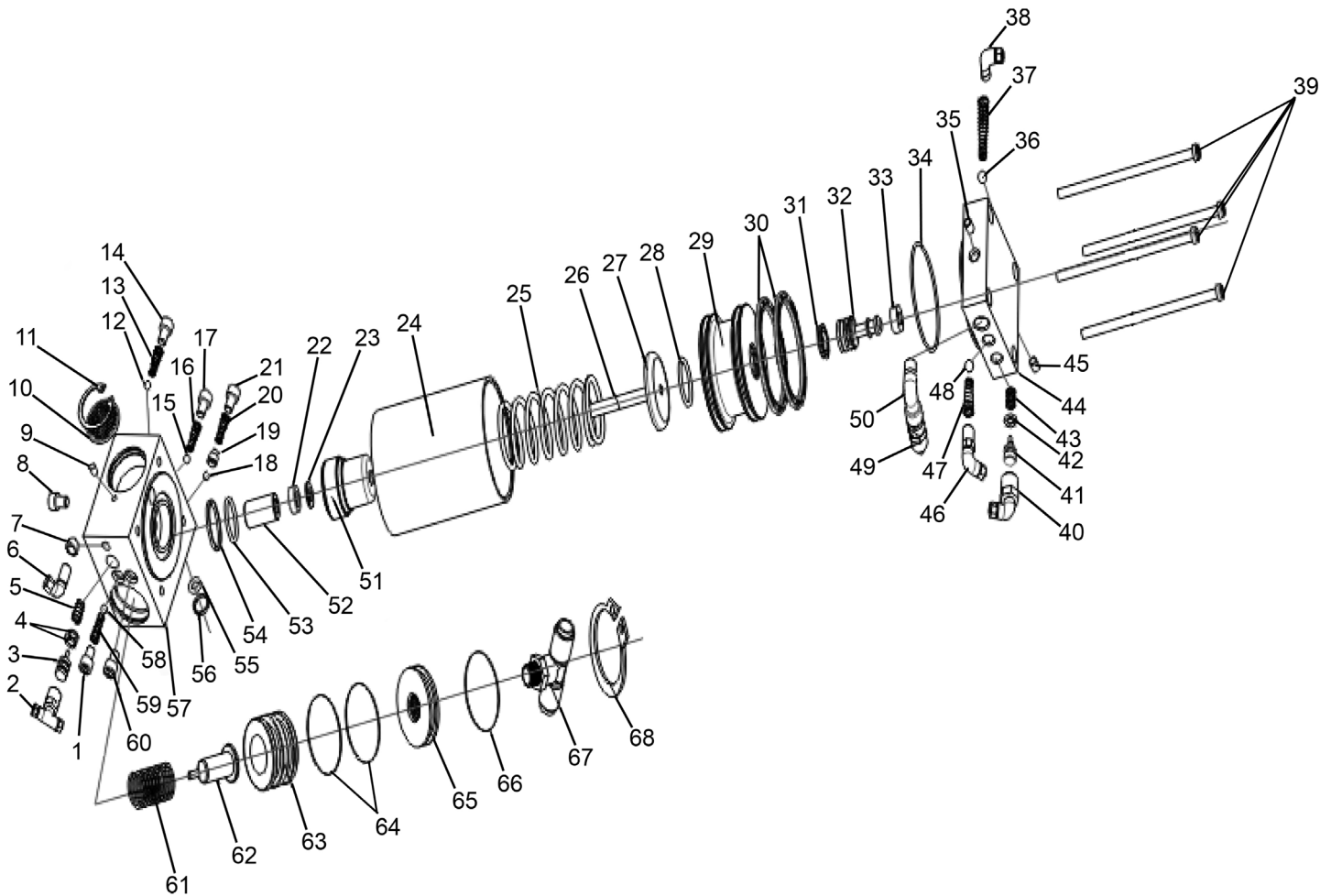


sales@sealey.co.uk



www.sealey.co.uk

Parts Information:
**Long Reach/Low Profile Air Operated
 Telescopic Jack 15-30 Tonne
 Model No: YAJ15-30LE.V2**



Item	Part No.	Description
1	FUSN-LHJ01	Csk Socket Machine Screw
2	FUSN-LHJ02	T-Piece Adaptor
3	FUSN-LHJ03	Piston
4	FUSN-LHJ04	O-Ring for Piston
5	FUSN-LHJ05	Spring
6	FUSN-LHJ06	Elbow
7	FUSN-LHJ07	Filter
8	FUSN-LHJ08	Csk Socket Machine Screw
9	FUSN-LHJ09	Grub Screw
10	FUSN-LHJ10	Silencer
11	FUSN-LHJ11	Clamp Ring

Item	Part No.	Description
12	FUSN-LHJ12	Steel Ball
13	FUSN-LHJ13	Spring
14	FUSN-LHJ14	Csk Socket Machine Screw
15	FUSN-LHJ15	Steel Ball
16	FUSN-LHJ16	Spring
17	FUSN-LHJ17	Csk Socket Machine Screw
18	FUSN-LHJ18	Steel Ball
19	FUSN-LHJ19	Steel Ball Base
20	FUSN-LHJ20	Spring
21	FUSN-LHJ21	Csk Socket Machine Screw
22	FUSN-LHJ22	Seal Ring

NOTE: It is our policy to continually improve products and as such we reserve the right to alter data, specifications and component parts without prior notice. There may be alternative versions of this product, please contact us should you require this information.

IMPORTANT: No liability is accepted for incorrect use of product. Spare parts must be fitted by a competent person

WARRANTY: Guarantee is 12 months from purchase date, proof of which will be required for any claim.



Parts Information:
**Long Reach/Low Profile Air Operated
Telescopic Jack 15-30 Tonne
Model No: YAJ15-30LE.V2**

Item	Part No.	Description
23	FUSN-LHJ23	Locking Ring
24	FUSN-LHJ24	Air Cylinder
25	FUSN-LHJ25	Spring
26	FUSN-LHJ26	Plunger Rod
27	FUSN-LHJ27	Plunger Cover
28	FUSN-LHJ28	O-Ring
29	FUSN-LHJ29	Piston
30	FUSN-LHJ30	Packing Seal
31	FUSN-LHJ31	Z8 Seal
32	FUSN-LHJ32	Piston
33	FUSN-LHJ33	Rubber Cap
34	FUSN-LHJ34	O-Ring
35	FUSN-LHJ35	Grub Screw
36	FUSN-LHJ36	Steel Ball
37	FUSN-LHJ37	Spring for Elbow
38	FUSN-LHJ38	Elbow
39	FUSN-LHJ39	Machine Screw Pan Head Phillips
40	FUSN-LHJ40	Elbow
41	FUSN-LHJ41	Piston
42	FUSN-LHJ42	O-Ring for Piston
43	FUSN-LHJ43	Spring for Piston
44	FUSN-LHJ44	Air Inlet Valve
45	FUSN-LHJ45	Grub Screw

Item	Part No.	Description
46	FUSN-LHJ46	Elbow
47	FUSN-LHJ47	Spring for Elbow
48	FUSN-LHJ48	Steel Ball
49	FUSN-LHJ49	Safety Valve
50	FUSN-LHJ50	Elbow
51	FUSN-LHJ51	Oil Pump
52	FUSN-LHJ52	Plunger Bushing
53	FUSN-LHJ53	O-Ring
54	FUSN-LHJ54	O-Ring
55	FUSN-LHJ55	O-Ring
56	FUSN-LHJ56	Locking Ring
57	FUSN-LHJ57	Check Valve
58	FUSN-LHJ58	Steel Ball
59	FUSN-LHJ59	Spring
60	FUSN-LHJ60	Csk Socket Machine Screw
61	FUSN-LHJ61	Spring for Oil Drain Piston
62	FUSN-LHJ62	Oil Drain Bolt
63	FUSN-LHJ63	Oil Drain Piston
64	FUSN-LHJ64	O-Ring for Oil Drain Piston
65	FUSN-LHJ65	End Cover
66	FUSN-LHJ66	O-Ring
67	FUSN-LHJ67	T-Piece Adaptor
68	FUSN-LHJ68	Clamp Ring

NOTE: It is our policy to continually improve products and as such we reserve the right to alter data, specifications and component parts without prior notice. There may be alternative versions of this product, please contact us should you require this information.

IMPORTANT: No liability is accepted for incorrect use of product. Spare parts must be fitted by a competent person

WARRANTY: Guarantee is 12 months from purchase date, proof of which will be required for any claim.

Sealey Group, Kempson Way, Suffolk Business Park, Bury St Edmunds, Suffolk. IP32 7AR



01284 757500



sales@sealey.co.uk



www.sealey.co.uk