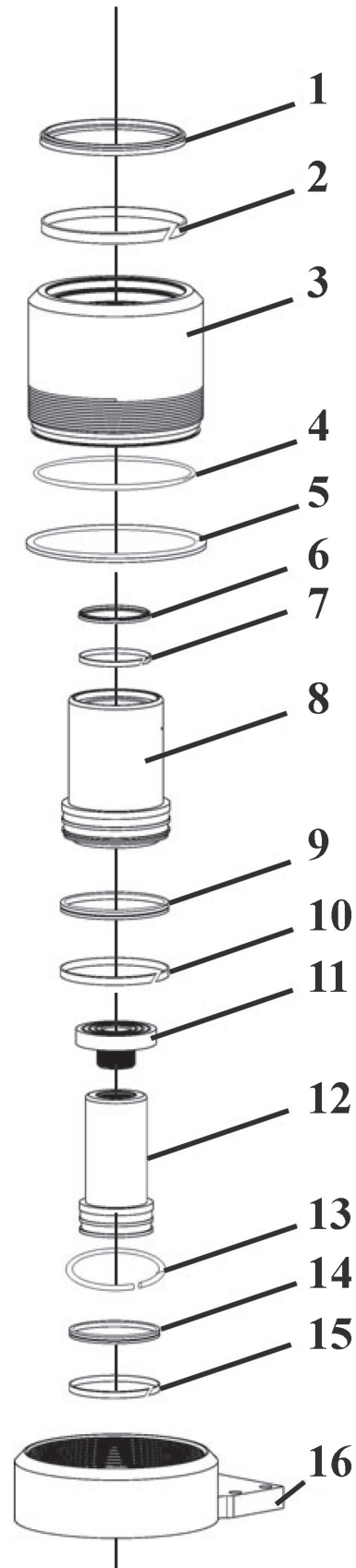


## Oil Cylinder Assembly

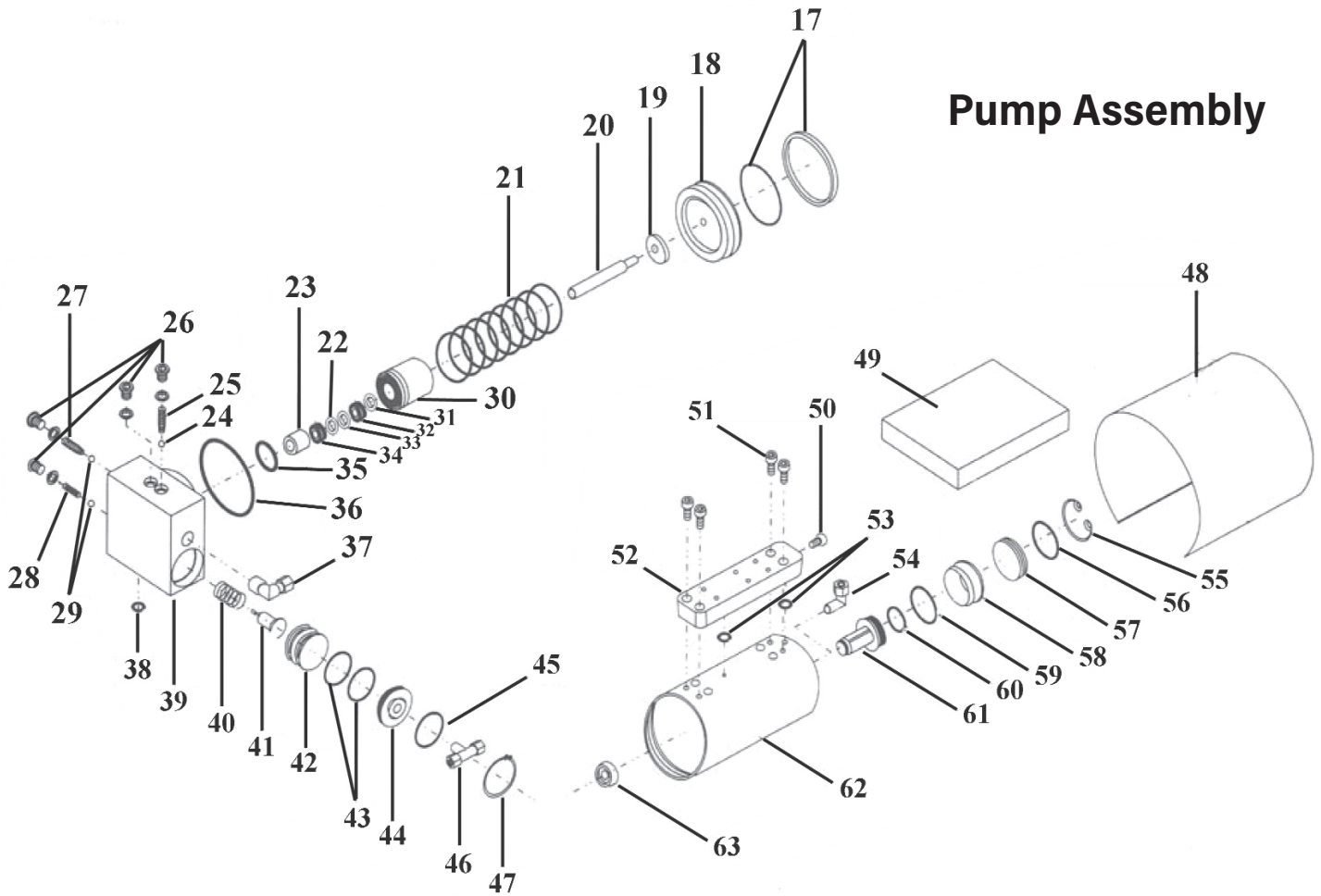
Item	Part No.	Description
1	YAJ10-25LR.01	DUSTPROOF RING
2	YAJ10-25LR.02	GUIDE RING
3	YAJ10-25LR.03	OUTER SLEEVE
4	YAJ10-25LR.04	O-RING
5	YAJ10-25LR.05	LOCKING RING
6	YAJ10-25LR.06	DUSTPROOF RING
7	YAJ10-25LR.07	GUIDE RING
8	YAJ10-25LR.08	INNER SLEEVE
9	YAJ10-25LR.09	SEAL RING
10	YAJ10-25LR.10	GUIDE RING
11	YAJ10-25LR.11	TOP COVER
12	YAJ10-25LR.12	PISTON
13	YAJ10-25LR.13	SPRING WASHER
14	YAJ10-25LR.14	SEAL RING
15	YAJ10-25LR.15	GUIDE RING
16	YAJ10-25LR.16	BASE



**NOTE:** It is our policy to continually improve products and as such we reserve the right to alter data, specifications and component parts without prior notice.

**IMPORTANT:** No liability is accepted for incorrect use of product.

**WARRANTY:** Guarantee is 12 months from purchase date, proof of which will be required for any claim.



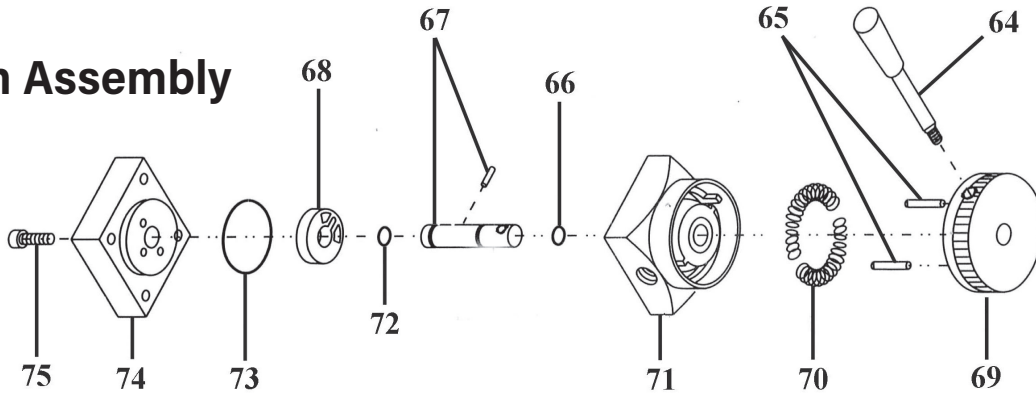
## Pump Assembly

Item	Part No.	Description
17	YAJ10-25LR.17	OE SEAL
18	YAJ10-25LR.18	PISTON
19	YAJ10-25LR.19	SPACER
20	YAJ10-25LR.20	PLUNGER ROD
21	YAJ10-25LR.21	SPRING
22	YAJ10-25LR.22	SPACER
23	YAJ10-25LR.23	GUIDE SLEEVE
24	YAJ10-25LR.24	STEEL BALL
25	YAJ10-25LR.25	SPRING
26	YAJ10-25LR.26	SCREW
27	YAJ10-25LR.27	SPRING
28	YAJ10-25LR.28	SPRING
29	YAJ10-25LR.29	STEEL BALL
30	YAJ10-25LR.30	OIL PUMP
31	YAJ10-25LR.31	LOCK RING
32	YAJ10-25LR.32	SEAL

Item	Part No.	Description
33	YAJ10-25LR.33	SPACER
34	YAJ10-25LR.34	SEAL
35	YAJ10-25LR.35	O-RING
36	YAJ10-25LR.36	O-RING
37	YAJ10-25LR.37	ELBOW
38	YAJ10-25LR.38	O-RING
39	YAJ10-25LR.39	PUMP BLOCK
40	YAJ10-25LR.40	SPRING
41	YAJ10-25LR.41	OIL DRAIN BOLT
42	YAJ10-25LR.42	OIL DRAIN PISTON
43	YAJ10-25LR.43	O-RING
44	YAJ10-25LR.44	END COVER
45	YAJ10-25LR.45	O-RING
46	YAJ10-25LR.46	T-PIECE
47	YAJ10-25LR.47	RETAINING RING
48	YAJ10-25LR.48	PROTECTING COVER

Item	Part No.	Description
49	YAJ10-25LR.49	FOAM PAD
50	YAJ10-25LR.50	SCREW
51	YAJ10-25LR.51	SCREW
52	YAJ10-25LR.52	PROTECTING COVER
53	YAJ10-25LR.53	O-RING
54	YAJ10-25LR.54	ELBOW
55	YAJ10-25LR.55	RETAINING RING
56	YAJ10-25LR.56	O-RING
57	YAJ10-25LR.57	END COVER
58	YAJ10-25LR.58	INNER SLEEVE
59	YAJ10-25LR.59	O-RING
60	YAJ10-25LR.60	O-RING
61	YAJ10-25LR.61	PISTON
62	YAJ10-25LR.62	AIR CYLINDER
63	YAJ10-25LR.63	RUBBER CAP

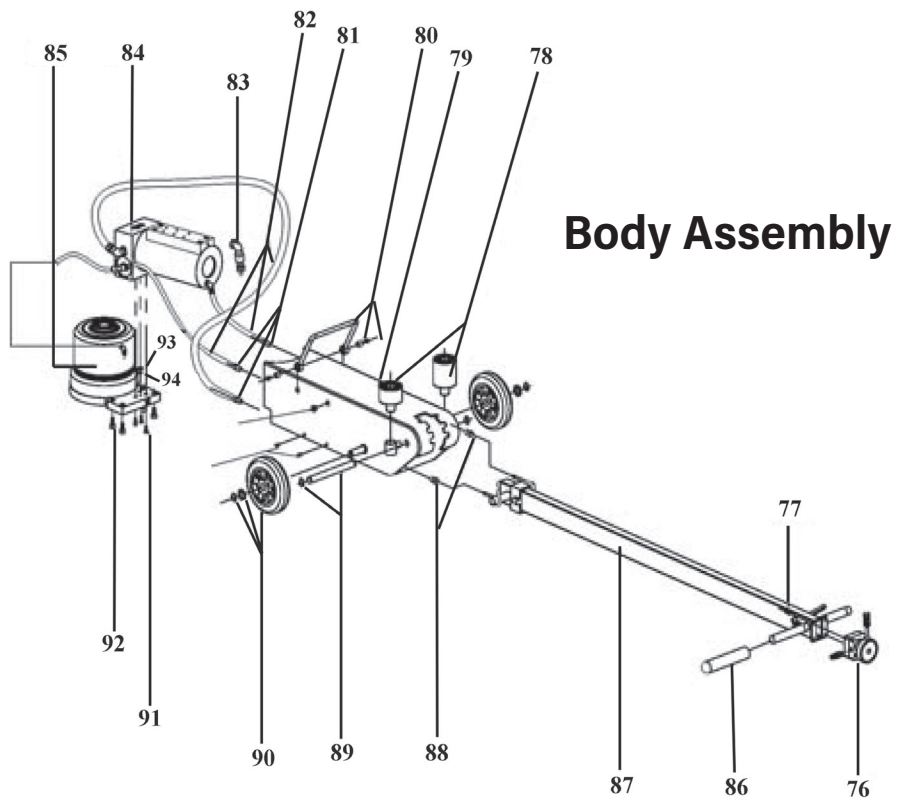
## Switch Assembly



Item	Part No.	Description
64	YAJ10-25LR.64	HANDLE
65	YAJ10-25LR.65	STRAIGHT PIN
66	YAJ10-25LR.66	O-RING
67	YAJ10-25LR.67	SPINDLE (c/w PIN)
68	YAJ10-25LR.68	VALVE BASE
69	YAJ10-25LR.69	SWITCH CAP

Item	Part No.	Description
70	YAJ10-25LR.70	SPRING
71	YAJ10-25LR.71	VALVE BODY
72	YAJ10-25LR.72	O-RING
73	YAJ10-25LR.73	O-RING
74	YAJ10-25LR.74	VALVE BASE
75	YAJ10-25LR.75	SCREW

Item	Part No.	Description
76	YAJ10-25LR.76	SWITCH SET
77	YAJ10-25LR.77	SCREW
78	YAJ10-25LR.78	ADAPTORS
79	YAJ10-25LR.79	TANK BODY
80	YAJ10-25LR.80	LIFTING HANDLE SET
81	YAJ10-25LR.81	HOSE ADAPTOR
82	YAJ10-25LR.82	AIR PIPE & OIL HOSE (AIR PIPE 6X4mm)
	YAJ10-25LR82A	AIR PIPE & OIL HOSE (AIR PIPE 8X5.5mm)
83	YAJ10-25LR.83	ELBOW
84	YAJ10-25LR.84	PUMP ASS'Y
85	YAJ10-25LR.85	OIL CYLINDER ASS'Y
86	YAJ10-25LR.86	HANDLE GRIP
87	YAJ10-25LR.87	HANDLE
88	YAJ10-25LR.88	SCREW
89	YAJ10-25LR.89	WHEEL AXLE
90	YAJ10-25LR.90	WHEEL (c/w FIXING)
91	YAJ10-25LR.91	SCREW
92	YAJ10-25LR.92	SCREW
93	YAJ10-25LR.93	O-RING
94	YAJ10-25LR.94	LOCK RING
95	YAJ10-25LR.95	AIR HOSE COUPLING (5.5mm)
	YAJ10-25LR95A	AIR HOSE COUPLING (4mm)



## Body Assembly