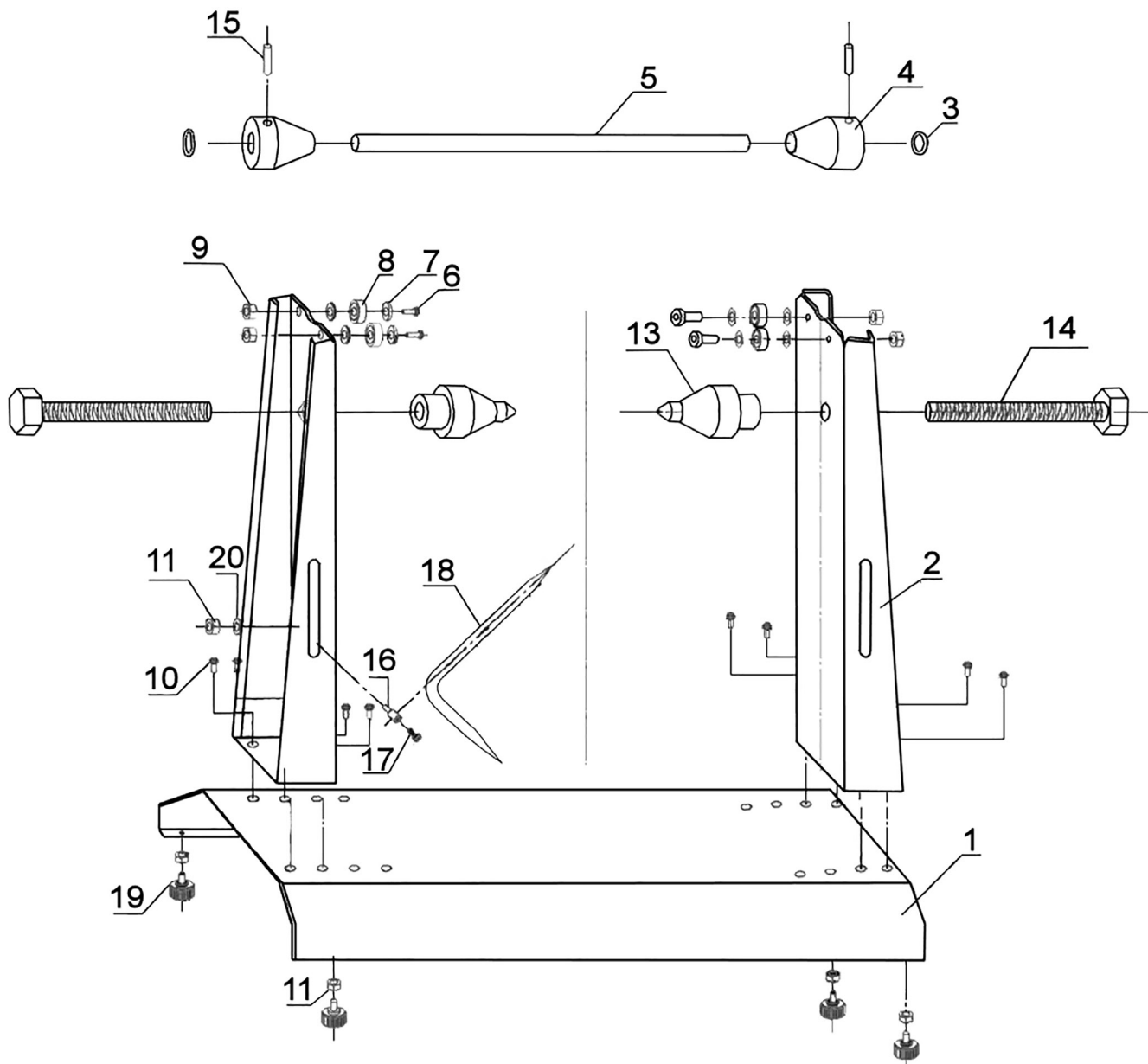


Parts Information:  
**Motorcycle & Bicycle Wheel Balancer & Truing Stand**  
**Model No: WTS01**



Item	Part No.	Description
1	WTS01.01	Base
2	WTS01.02	Side Frame
3	WTS01.03	O-Ring (15.90 x 11.60 x 2.15mm)
4	WTS01.04	Centering Cone
5	WTS01.05	Axle
6	WTS01.06	Socket Head Screw M10 x 25mm
7	WTS01.07	Washer
8	B/6200ZZ	Bearing 6200ZZ
9	NLN10.S	Nyloc Nut M10
10	WTS01.10	Socket Head Screw M8 x 16mm

Item	Part No.	Description
11	NLN8.S	Nyloc Nut M8
13	WTS01.13	Spindle
14	WTS01.14	Bolt M16 x 150mm
15	GSM612.S	Grub Screw M6 x 12mm
16	WTS01.16	Pin Fixing Seat
17	SCB610.SB	Socket Cap Bolt M6 x 10mm Black
18	WTS01.18	Guide
19	WTS01.19	Adjust Pin
20	WTS01.20	Washer Ø 8mm

**NOTE:** It is our policy to continually improve products and as such we reserve the right to alter data, specifications and component parts without prior notice. There may be alternative versions of this product, please contact us should you require this information.

**IMPORTANT:** No liability is accepted for incorrect use of product. Spare parts must be fitted by a competent person

**WARRANTY:** Guarantee is 12 months from purchase date, proof of which will be required for any claim.