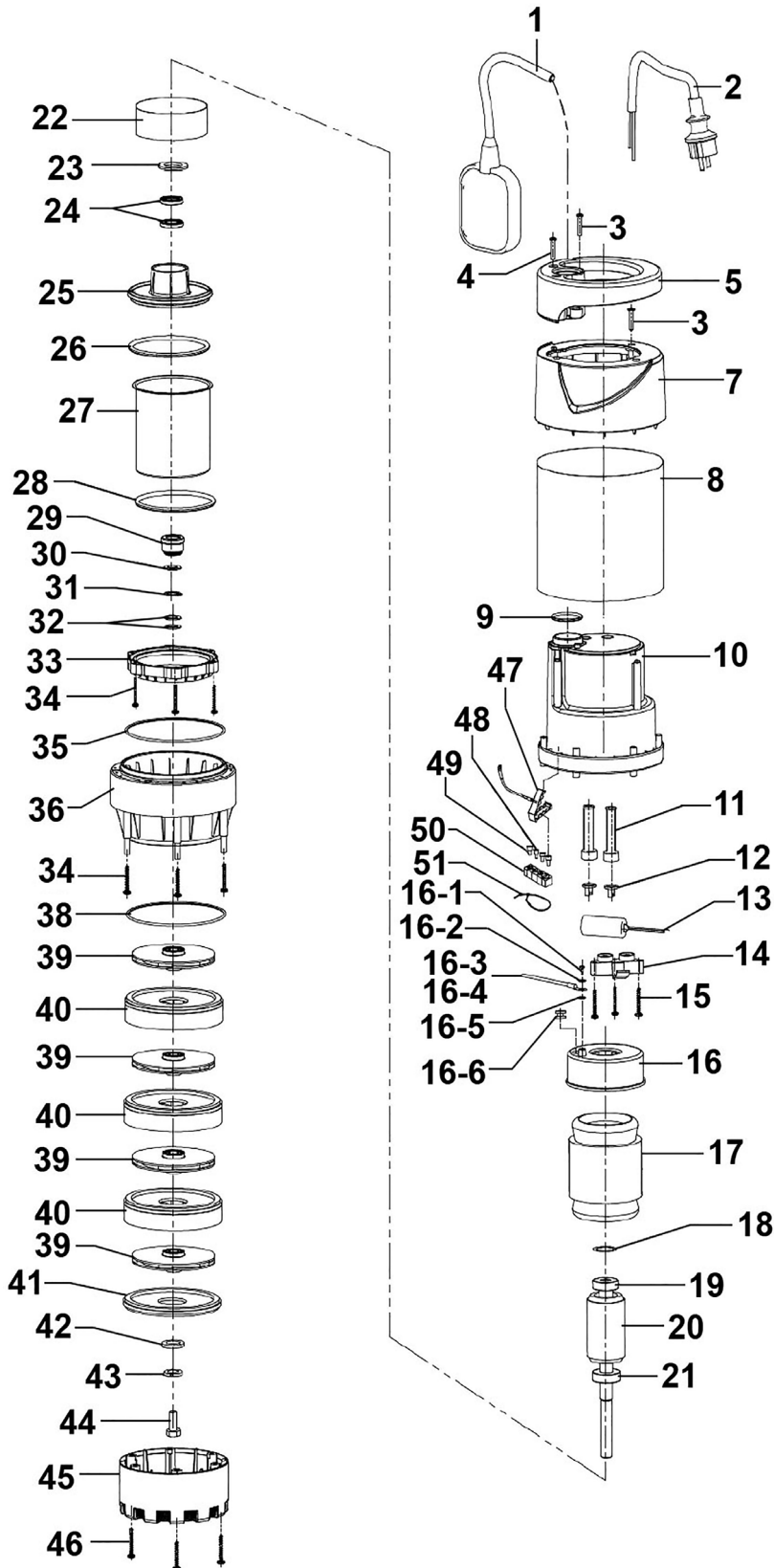




Parts Information:
Submersible Stainless Water Pump
Automatic 92L/min 40m Head 230V
Model No: WPS92A



NOTE: It is our policy to continually improve products and as such we reserve the right to alter data, specifications and component parts without prior notice. There may be alternative versions of this product, please contact us should you require this information.

IMPORTANT: No liability is accepted for incorrect use of product. Spare parts must be fitted by a competent person

WARRANTY: Guarantee is 12 months from purchase date, proof of which will be required for any claim.

Sealey Group, Kempson Way, Suffolk Business Park, Bury St Edmunds, Suffolk. IP32 7AR



01284 757500



sales@sealey.co.uk



www.sealey.co.uk



Parts Information:
Submersible Stainless Water Pump
Automatic 92L/min 40m Head 230V
Model No: WPS92A

Item	Part No.	Description
1	WP01401001	Float Switch 10A 250V (IP68) Blue
2	WP08701001	Power Cable
3	WP845	Rd Head S/T Screw M4 x 24mm
4	WP845A	Self Tapping Screw ST4.2 x 38mm
5	WP00202035	Handle
7	WP01101010	End Cover
8	WP06201017	Stainless Steel Housing
9	AK4560D.213	O-Ring (41.41 x 36.17 x 2.62mm)
10	WP00302023	Rear Pump Shell
11	WP05201036	Cable Sheath
12	WP05602008	Cable Buckle
13	WP08401001	16µf Capacitor
14	WP05501001	Cable Grip
15	WP07802018	Self-Tapping Screw
16	WP02602004	Aluminum Rear Cover
16-1	WP818	Screw M4 x 8mm
16-2	WP934	Spring Washer
16-3	WP08601010	Wire (Green/Yellow)
16-4	WP04102006	Plate
16-5	WP08301001	Heat Shrink Tube
16-6	WP86124	Washer
17	WP02202100	Stator
18	WP03801001	Wave Washer
19	B/6201ZZ	Bearing 6201ZZ
20	WP02301129	Rotor
21	B/6202ZZ	Bearing 6202ZZ
22	WP02005016	Bushing Ring
23	WP03802032	Adjusting Gasket

Item	Part No.	Description
24	WP05102003	Seal (12 x 14 x 28 x 4.5mm)
25	WP02503013	Aluminum Front Cover
26	WP05101052	O-Ring
27	WP02411006	Motor Front Cover
28	WP05101010	O-Ring (102.10 x 91.44 x 5.33)
29	WP06102016	Mechanical Seal
30	WP03802013	Adjusting Gasket
31	WP8941	Shaft Checking Ring
32	WP03802027	Adjusting Gasket
33	WP00801007	Pressing Ring
34	WP845B	Self Tapping Screw ST4.2 x 30mm
35	WP05101015	O-Ring
36	WP00403047	Main Pump Shell
38	WP05101012	O-Ring (111.23 x 107.67 x 1.78mm)
39	WP00904091	Impeller
40	WP03601010	Guide Plate Body
41	WP03603002	Guide Plate Middle Cover
42	WP03804002	Flat Washer
43	WP936	Spring Washer
44	WP5781	Bolt M6 x 16mm
45	WP00601047	Pump Base
46	WP845C	Self Tapping Screw ST4.2 x 55mm
47	WP04105006	Ground Cover
48	WP04101001	Nylon Safety Press Line Cap
49	WP04101003	Nylon Safety Press Line Cap
50	WP03203012	Rubber Clip
51	WP08501001	Cable Tie
--	WP05202003	Wire Sheath (Not Shown)

NOTE: It is our policy to continually improve products and as such we reserve the right to alter data, specifications and component parts without prior notice. There may be alternative versions of this product, please contact us should you require this information.

IMPORTANT: No liability is accepted for incorrect use of product. Spare parts must be fitted by a competent person

WARRANTY: Guarantee is 12 months from purchase date, proof of which will be required for any claim.

Sealey Group, Kempson Way, Suffolk Business Park, Bury St Edmunds, Suffolk. IP32 7AR



01284 757500



sales@sealey.co.uk



www.sealey.co.uk