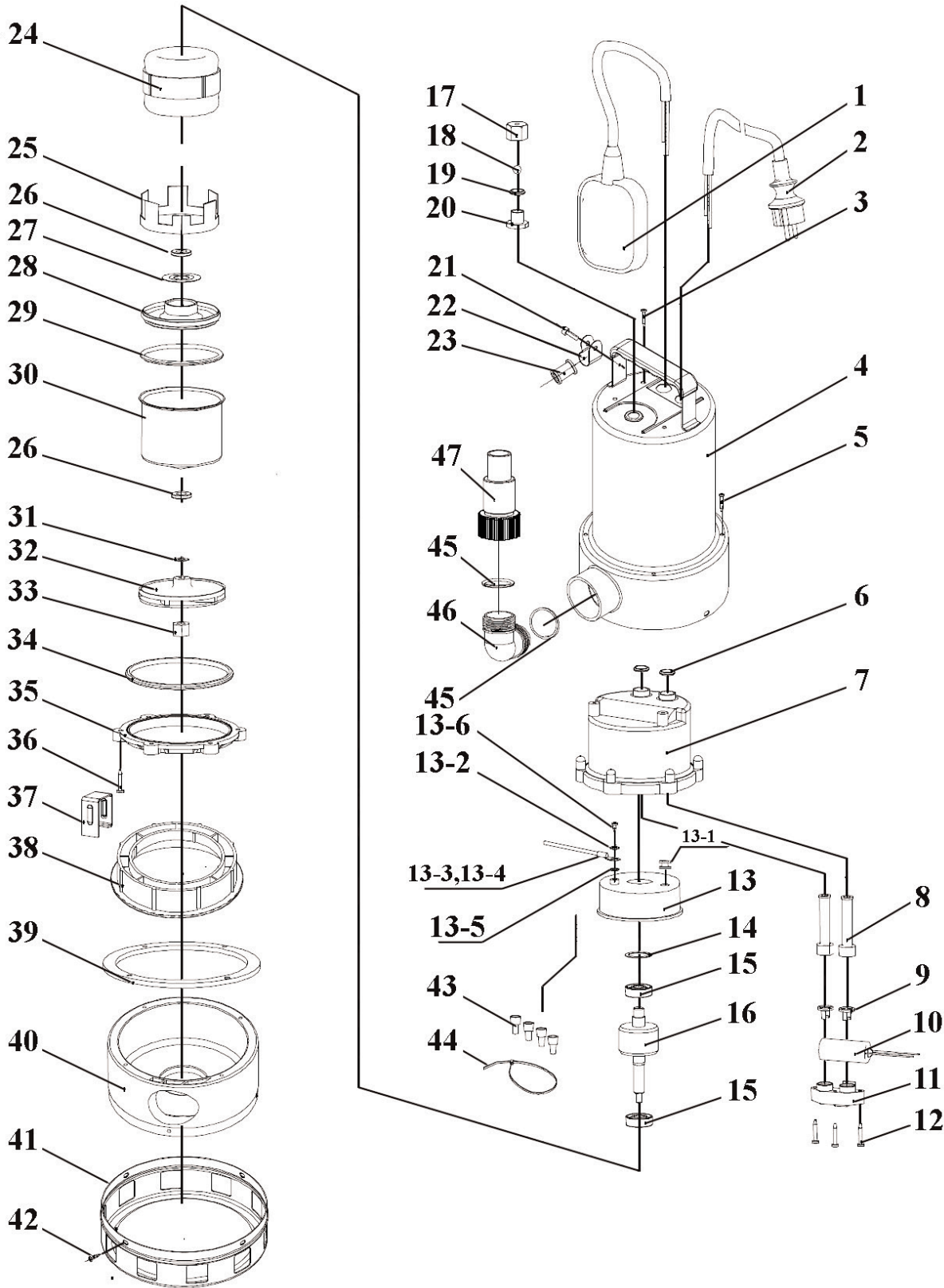


Parts Information:  
**Submersible Stainless Water Pump**  
**Automatic Dirty Water 225ltr/min 230V**  
**Model No: WPS225A.V2**



**NOTE:** It is our policy to continually improve products and as such we reserve the right to alter data, specifications and component parts without prior notice.

**IMPORTANT:** No liability is accepted for incorrect use of product.

**WARRANTY:** Guarantee is 12 months from purchase date, proof of which will be required for any claim.



Parts Information:  
**Submersible Stainless Water Pump  
Automatic Dirty Water 225ltr/min 230V  
Model No: WPS225A.V2**

Item	Part No.	Description
1	WPS225AV2.01	FLOAT SWITCH
2	WP08701001	POWER CABLE
3	SM1302.74	SCREW (ST4.2x13)
4	WPS225AV2.04	BODY ASSEMBLY
5	WP845H	SELF TAPPING SCREW ST4.2x18
6	WP05101003	O-RING
7	WPS225AV2.07	REAR PUMP COVER
8	WP05201036	CABLE SHEATH
9	WP05602008	CABLE BUCKLE
10	WPS225AV2.10	CAPACITY 16uF
11	WP05501001	CABLE GRIP
12	WP07802018	SELF-TAPPING SCREW
13	WP02602004	ALUMINUM REAR COVER
13.1	WP05202003	WIRE SHEATH
13.2	WPS225AV2.13B	WASHER
13.3	WP08601010	WIRE (GREEN/YELLOW)
13.4	WP04102027	PLATE
13.5	WPS225AV2.13E	WASHER
13.6	WP818	SCREW M4X8
14	WP03801001	WAVE WASHER
15	B/6201ZZ	BEARING 6201ZZ
16	WPS225AV2.16	ROTOR
17	WPS225AV2.17	AIR FLOW BODY
--	WPS225AV2.17A	SEAL RING (NOT SHOWN)
18	WPS225AV2.18	O-RING
19	WP3086	STEEL BALL
20	WPS225AV2.20	PLASTIC AIR FLOW NUT
21	WP818A	SCREW M5X6

Item	Part No.	Description
22	WP01203001	WIRE CLIP
23	WPS225AV2.23	CABLE SHEATH
24	WPS225AV2.24	STATOR
25	WP02005011	BUSHING RING
26	WPS225AV2.26	SEAL
27	WP03802023	WASHER
28	WP04204001	ALUMINUM BUSHING
29	WPS225AV2.29	O-RING
30	WPC235V2.21	FRONT COVER
31	WPS225AV2.31	ADJUSTABLE WASHER
32	WPS225AV2.32	IMPELLER
33	SN8.S	STEEL NUT M8 ZINC DIN934 (SINGLE)
34	WP05101010	O-RING
35	WPS225AV2.35	CLAMPING RING
36	WP845B	SELF TAPPING SCREW ST4.2X30
37	WPS225AV2.37	CABLE CONNECTOR
38	WPS225AV2.38	LOCATING RING
39	WPS225AV2.39	SEALING GASKET
40	WPS225AV2.40	INNER BASE
41	WPS225AV2.41	BASE
42	WP845J	SELF TAPPING SCREW ST3.9x13
43	WP04101001	NYLON SAFETY PRESS LINE CAP
---	WP04101003	NYLON SAFETY PRESS LINE CAP (NOT SHOWN)
44	WP08501001	CABLE TIE
45	WP05101006	O-RING
46	WPC250.31	ELBOW
47	WPC250.32	OUTLET CONNECTOR

**NOTE:** It is our policy to continually improve products and as such we reserve the right to alter data, specifications and component parts without prior notice.

**IMPORTANT:** No liability is accepted for incorrect use of product.

**WARRANTY:** Guarantee is 12 months from purchase date, proof of which will be required for any claim.

**Sealey Group**, Kempson Way, Suffolk Business Park, Bury St Edmunds, Suffolk. IP32 7AR



01284 757500



01284 703534



sales@sealey.co.uk



www.sealey.co.uk