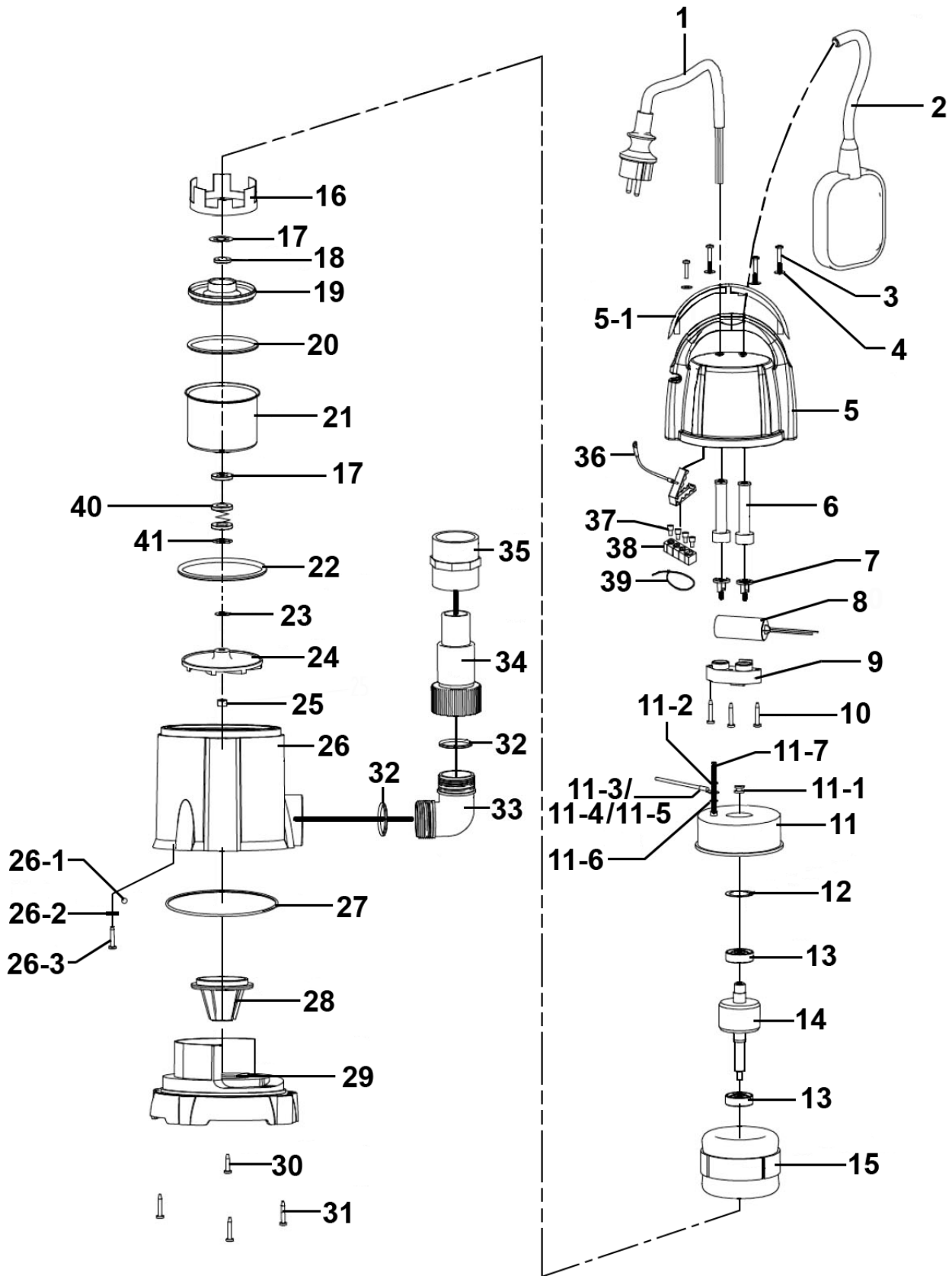




Parts Information:  
Submersible Water Pump Automatic Low  
Level 2mm 117L/min 230V  
Model No: WPL117A



**NOTE:** It is our policy to continually improve products and as such we reserve the right to alter data, specifications and component parts without prior notice. There may be alternative versions of this product, please contact us should you require this information.

**IMPORTANT:** No liability is accepted for incorrect use of product. Spare parts must be fitted by a competent person

**WARRANTY:** Guarantee is 12 months from purchase date, proof of which will be required for any claim.

Sealey Group, Kempson Way, Suffolk Business Park, Bury St Edmunds, Suffolk. IP32 7AR



01284 757500



01284 703534



sales@sealey.co.uk



www.sealey.co.uk



Parts Information:  
**Submersible Water Pump Automatic Low  
Level 2mm 117L/min 230V  
Model No: WPL117A**

Item	Part No.	Description
1	WP08701001	Power Cable
2	WP01401001	Float Switch 10A 250V (IP68) Blue
3	WP07802005	Self-Tapping Screw
4	WP03802031	Washer
5	WP00303025	Pump Casing (Rear)
5.1	WP00102004	Handle Cover
6	WP05201033	Cable Sheath **
6	WP05201036	Cable Sheath **
7	WP05602005	Cable Buckle ***
7	WP05602008	Cable Buckle ***
8	WP08401001	16uf Capacitor
9	WP05501001	Cable Grip
10	WP07802018	Self-Tapping Screw
11	WP02602004	Aluminum Rear Cover
11.1	WP05202003	Wire Sheath
11.2	WP934A	Washer
11.3	WP08601010	Wire (Green/Yellow)
11.4	WP04102006	Plate
11.5	WP08301001	Heat Shrink Tube
11.6	WP86224	Washer
11.7	WP818	Screw M4x8
12	WP03801001	Wave Washer
13	B/6201ZZ	Bearing 6201zz
14	WP02301199	Rotor
15	WP02202076	Stator
16	WP02005012	Bushing Ring
17	WP03802023	Washer

Item	Part No.	Description
18	WP05102002	Sealing Ring 12*24*4.5*17
19	WP04204001	Aluminum Bushing
20	WP05101052	O-Ring
21	WP02501051	Front Cover
22	WP05101010	O-Ring, (Ex: 102.10 In: 91.44 Cs: 5.33)
23	WP03802005	Adjusting Gasket
24	WP00904004	Impeller
25	SN8.S	Steel Nut M8 Zinc
26	WP02901032	Main Pump Casing
26.1	WP3086	Steel Ball
26.2	WP03804004	Washer
26.3	WP845F	Self Tapping Screw st2.9x8.5
27	WP05101015	O-Ring
28	WP01901003	Seal Bushing
29	WP00601053	Base
30	S0685V2-26	Rd Head S/T Screw M4 X 13
31	WP07802007	Self Tapping Screw
32	WP05101006	O-Ring, (Ex: 43.06 In: 37.28 Cs: 3.39)
33	WP02803001	Elbow
34	WP02703001	Output Connector
35	WP03003001	Joint
36	WP04105006	Ground Cover
37	WP04101003	Nylon Safety Press Line Cap
38	WP03203012	Rubber Clip
39	WP08501001	Cable Tie
40	WP06101007	Mechanical Seal
41	RE231.18	External Circlip 10.8mm ID.

**NOTE:** It is our policy to continually improve products and as such we reserve the right to alter data, specifications and component parts without prior notice. There may be alternative versions of this product, please contact us should you require this information.

**IMPORTANT:** No liability is accepted for incorrect use of product. Spare parts must be fitted by a competent person

**WARRANTY:** Guarantee is 12 months from purchase date, proof of which will be required for any claim.

**Sealey Group**, Kempson Way, Suffolk Business Park, Bury St Edmunds, Suffolk. IP32 7AR



01284 757500



01284 703534



sales@sealey.co.uk



www.sealey.co.uk