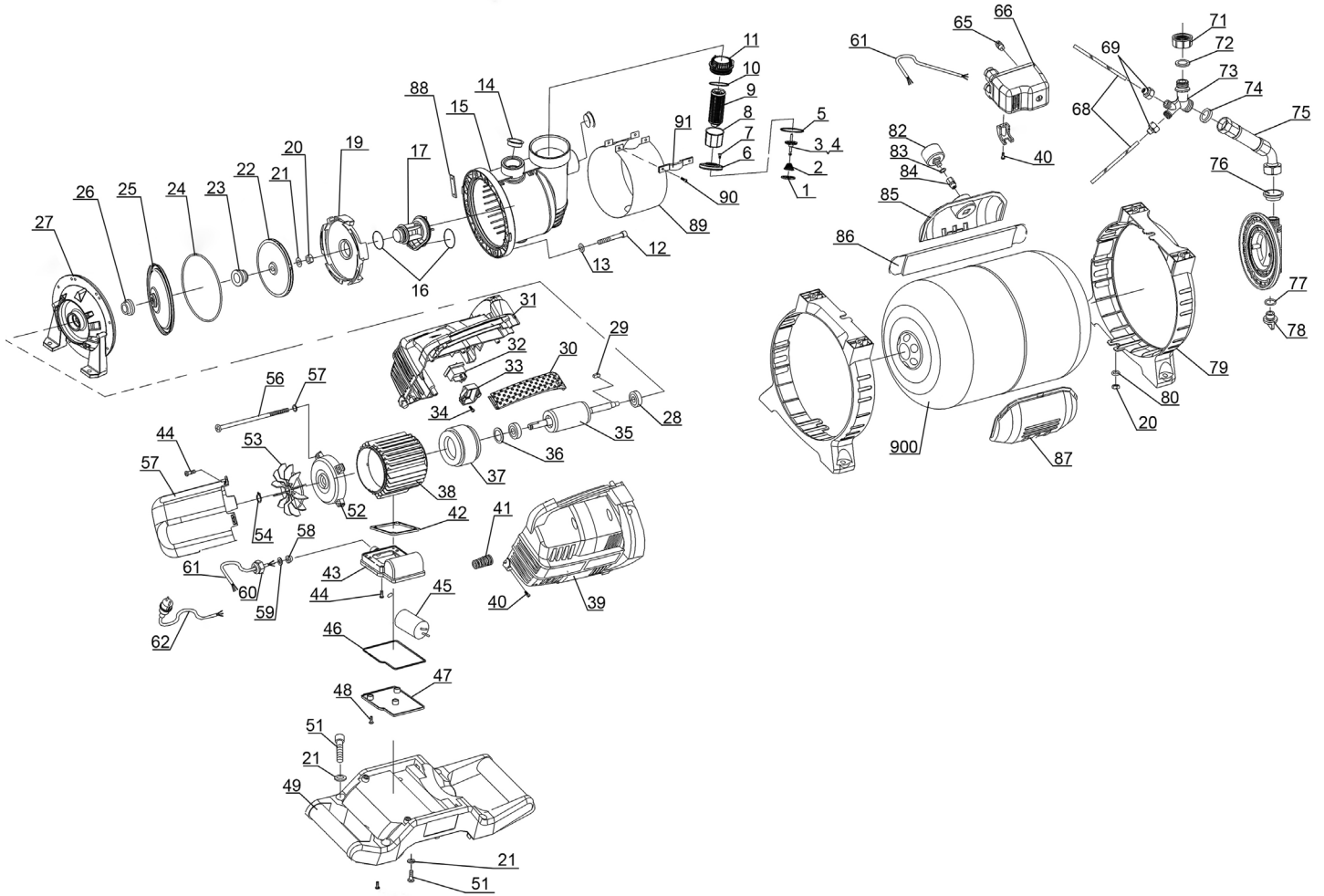


Parts Information:
Surface Mounting Booster Pump Stainless Steel 55L/min 230V
Model No: WPB062S.V2



Item	Part No.	Description
1	WP01503009	Valve Body
2	WP08001023	Spring
3	WP01504007	Valve Core
4	WP03204059	Seal Washer
5	500TTJ.14	O-Ring (63.66 x 58.42 x 2.62mm)
6	WP01507004	Valve Seat
7	WP07802015201	Screw
8	WP01901016	Filter Cup
9	WP01901015	Filter
10	WP05101105	O-Ring
11	WP07201005	Top cover
12	WP70525	Screw M5 x 25mm
13	WP9715	Washer
14	WP04701001	Dust Cover
15	WP03301047	Pump Head

Item	Part No.	Description
16	SA355.V2-24	O-Ring (31.88 x 26.64 x 2.62mm)
17	WP05003029	Diffusor
19	WP03601019	Diffusor Plate Kit
20	SN8.S	Steel Nut M8
21	WP9718	Washer
22	WP00904013	Impeller
23	WP06102001	Mechanical Seal
24	WP05101031	O-Ring (138 x 130 x 4mm)
25	WP04902005	Sealing Pad
26	WP05901003	Bushing
27	WP02503012	Front cover
28	B/6201ZZ	Bearing
29	WP1096475	Key 4 x 7.5mm
30	WP00101011	Handle Cover

NOTE: It is our policy to continually improve products and as such we reserve the right to alter data, specifications and component parts without prior notice. There may be alternative versions of this product, please contact us should you require this information.

IMPORTANT: No liability is accepted for incorrect use of product. Spare parts must be fitted by a competent person

WARRANTY: Guarantee is 12 months from purchase date, proof of which will be required for any claim.



Parts Information:
Surface Mounting Booster Pump Stainless Steel 55L/min 230V
Model No: WPB062S.V2

Item	Part No.	Description
31	WP03401010	Casing, Left
32	WP01405007	Switch (On/Off) Rocker, Red (c/w Cover 12A 250V)
33	WP05501041	Switch Press Block
34	WP07802020	Screw
35	WP02301125420	Rotor
36	WP03801001	Wave Washer
37	WP02202088	Stator
38	WP02405902	Aluminium Casing
39	WP03401011	Right Casing
40	WP07802015	Self-Tapping Screw
41	WP05201052	Cable Sheath
42	WP03201001	Seal Ring
43	WP04602022	Capacitor Box
44	WP818D	Screw M4 x 10mm
45	WP08401025	Capacitor 4µF
46	WP03203022	Thin Square Rubber Gasket
47	WP04601024	Cover, Capacitor Box
48	WP07802009	Screw
49	WP04002010	Support
51	WP70815	Screw M8 x 15mm
52	WP02602003	Rear Cover
53	WP03501001	Fan
54	RE231.05	External Circlip 12.8mm ID
55	WP935	Washer
56	WP5780B	Bolt M5 x 130mm
57	WP04801008	Motor Fan Cover
58	WP03204024	Switch Seal Block
59	WP03804007	Washer

Item	Part No.	Description
60	WP06002003	Cable Pressing Nut
61	WP01809001	Cable
62	WP08703004	Power Cable
65	WP01801007	Joint
66	WP01407011	Mechanical Pressure Switch 1.5 - 3.0bar
68	WP02001021	Flexible Pipe
69	WP01801006	Joint
71	WP06002008	Nut
72	WP05101086	O-Ring (21.80 x 16.02 x 2.91mm)
73	WP07503002	Four-Way Connector
74	WP03204012	Seal Washer
75	WP02003066	Flexible Hose 28mm x 90mm
76	WP03204002	Seal Washer
77	WP05101093	O-Ring
78	WP07902001	Valve Cover
79	WP04008004	Pressure Tank Casing
80	WP968	Washer
82	WP01601010	Pressure Gauge
83	WP97110	Washer
84	WP01801002	Joint
85	WP04008002	Front Casing
86	WP04008005	Support, Front Casing
87	WP04008003	Rear Casing
88	WP03203010	Seal Washer
89	WP06201023	Shield
90	WP07802015	Self-Tapping Screw
91	WP05501013	Press Block
900	WP04006051	Pressure Tank

NOTE: It is our policy to continually improve products and as such we reserve the right to alter data, specifications and component parts without prior notice. There may be alternative versions of this product, please contact us should you require this information.

IMPORTANT: No liability is accepted for incorrect use of product. Spare parts must be fitted by a competent person

WARRANTY: Guarantee is 12 months from purchase date, proof of which will be required for any claim.

Sealey Group, Kempson Way, Suffolk Business Park, Bury St Edmunds, Suffolk. IP32 7AR



01284 757500



sales@sealey.co.uk



www.sealey.co.uk