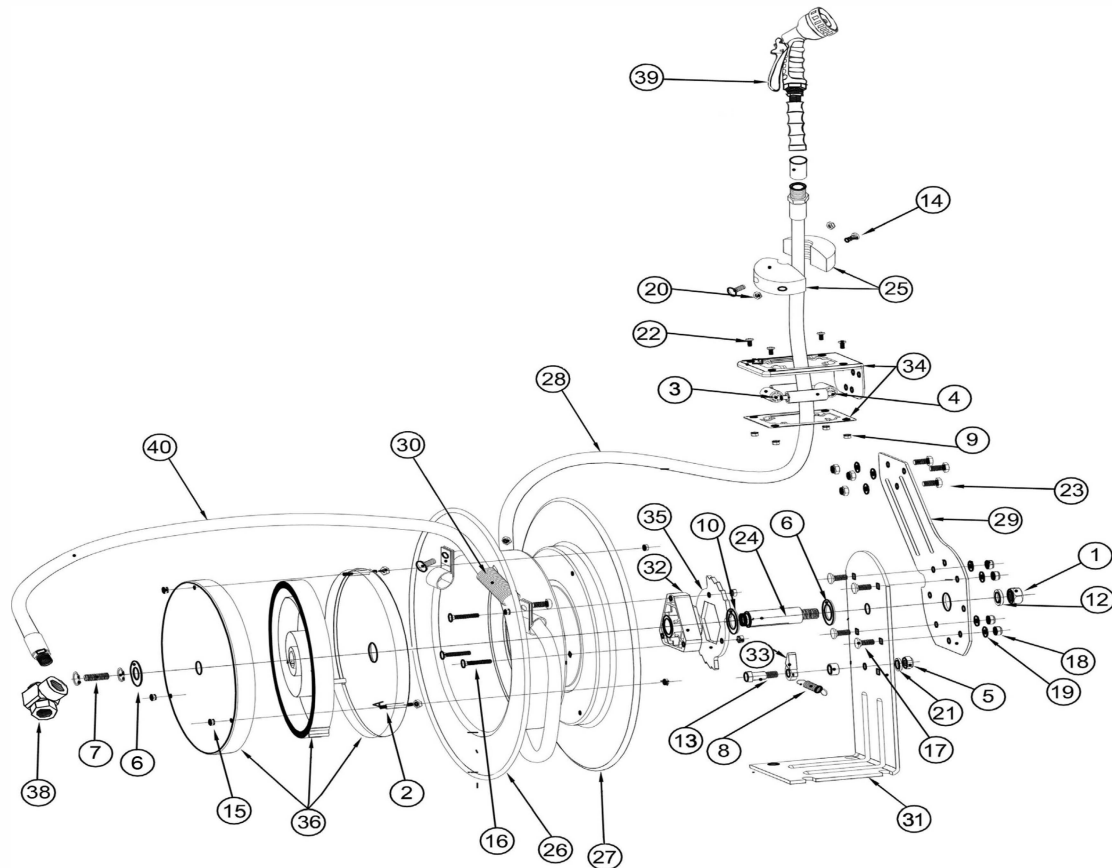




Parts Information:  
**Heavy-Duty Retractable Water Hose Reel**  
**15m Ø13mm ID Rubber Hose**  
**Model No: WHR1512**



Item	Part No.	Description	Qty	Item	Part No.	Description	Qty
1	SN16.S	Steel Nut M16	1	22	WHR1512.22	Phillips Screw 5mm	4
2	WHR1512.02	Threaded Stud 6mm	3	23	SS816.S	Hex Head Set Screw M8 x 16mm	3
3	WHR1512.03	Roller, Short 59mm	2	24	WHR1512.24	Centre Axle	1
4	WHR1512.04	Roller, Long 68mm	2	25	WHR1512.25	Ball Stop Assembly	1
5	SN10.S	Steel Nut M10	1	26	WHR1512.26	Drum, Right Side	1
6	FWM20.S	Flat Washer M20	2	27	WHR1512.27	Drum, Left Side	1
7	WHR1512.07	Threaded Stud 10mm	1	28	WHR1512.28	Hose Assembly	1
8	WHR1512.08	Spring for Latch Pawl	1	29	WHR1512.29	Arm	1
9	FN5.S	Flange Nut Serrated M5	4	30	WHR1512.30	Guard Spring	1
10	WHR1512.10	Spacer	1	31	WHR1512.31	Base	1
12	SWM16.S	Spring Washer M16	1	32	WHR1512.32	Hub Bearing Assembly	1
13	WHR1512.13	Tightening Bolt, Latch Pawl	1	33	WHR1512.33	Latch Pawl	1
14	WHR1512.14	Phillips Screw 6mm	2	34	WHR1512.34	Guide Roller Bracket Assembly	1
15	FN6.S	Flange Nut Serrated M6	3	35	WHR1512.35	Ratchet Pawl	1
16	WHR1512.16	Carriage Bolt 6mm	3	36	WHR1512.36	Main Spring Assembly	1
17	WHR1512.17	Carriage Bolt 8mm	4	38	WHR1512.38	Water Inlet Valve (Brass)	1
18	NLN8.S	Nyloc Nut M8	7	39	WHR1512.39	Spray Gun	1
19	FWM8.S	Flat Washer M8	7	40	WHR1512-40	Leader Hose 2M	1
20	SN6.S	Steel Nut M6	2	--	SM40V2-10	O-Ring 18.34 x 12.04 x 3.15mm (Not Shown)	--
21	FWM10.S	Flat Washer M10	1				

**NOTE:** It is our policy to continually improve products and as such we reserve the right to alter data, specifications and component parts without prior notice. There may be alternative versions of this product, please contact us should you require this information.

**IMPORTANT:** No liability is accepted for incorrect use of product. Spare parts must be fitted by a competent person

**WARRANTY:** Guarantee is 12 months from purchase date, proof of which will be required for any claim.

Sealey Group, Kempson Way, Suffolk Business Park, Bury St Edmunds, Suffolk. IP32 7AR



01284 757500



sales@sealey.co.uk



www.sealey.co.uk